



A TEREX BRAND

# *Parts Manual*

Serial Number Range

**S-80**

from SN 3082 to 7999

**S-85**

Part No. 77810

Rev E28

January 2015

## Technical Publications

Genie has endeavored to deliver the highest degree of accuracy possible. However, continuous improvement of our products is a Genie policy. Therefore, product specifications are subject to change without notice.

Readers are encouraged to notify Genie of errors and send in suggestions for improvement. All communications will be carefully considered for future printings of this and all other manuals.

## Contact Us:

<http://www.genielift.com>  
 e-mail: [awp.techpub@terex.com](mailto:awp.techpub@terex.com)

## Serial Number Information

Genie offers the following Parts Manuals for these models:


Title	Part No
Genie S-80 and S-85 Parts Manual (to serial number 965) .....	34033
Genie S-80 and S-85 Parts Manual (from serial number 966 to 3081) .....	65615
Genie S-80 and S-85 Parts Manual (from serial number 3082 to 7999) .....	77810
Genie S-80 and S-85 Parts Manual (from serial number 8000) .....	111335

---

Copyright © 2011 Terex Corporation

77810 Rev E November 2009  
 Third Edition, Fifth Printing

Genie is a registered trademark of Terex South Dakota, Inc. in the USA and many other countries. "S" is a trademark of Terex South Dakota, Inc.

 Printed on recycled paper

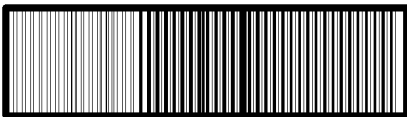


A TEREX BRAND

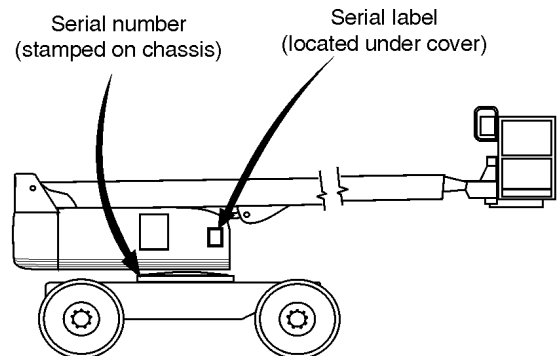
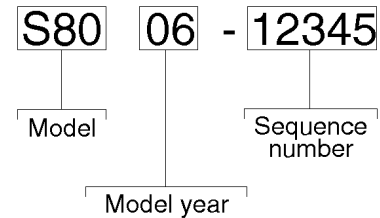
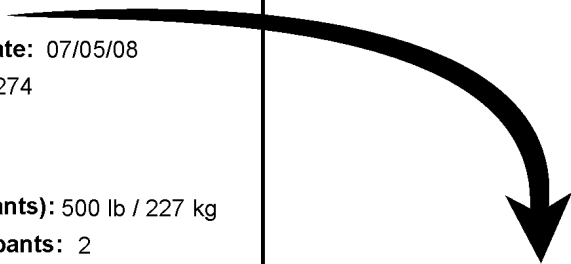
**Model:** S-80  
**Serial number:** S8006-12345  
**Model year:** 2008 **Manufacture date:** 07/05/08  
**Electrical schematic number:** ES0274  
**Machine unladen weight:**

**Rated work load (including occupants):** 500 lb / 227 kg  
**Maximum number of platform occupants:** 2  
**Maximum allowable side force :** 150 lb / 670 N  
**Maximum allowable inclination of the chassis:**  
0 deg  
**Maximum wind speed :** 28 mph/ 12.5 m/s  
**Maximum platform height :** 80 ft/ 24.38 m  
**Maximum platform reach :** 72 ft 5 in/ 22.07 m  
**Gradeability:** N/A  
**Country of manufacture:** USA  
**This machine complies with:**  
ANSI A92.5  
CAN B.354.4

**Terex South Dakota, Inc.**  
**18340 NE 76th Street**  
**Redmond, WA 98052**  
**USA**



1000000000000



## Table of Contents

This manual is updated frequently. If you have a printed manual, you can keep it up to date by downloading new figures from the Genie website at [www.genielift.com](http://www.genielift.com). For the most up-to-date parts information, visit the Parts Lookup System on the Genie website at [www.genielift.com](http://www.genielift.com).

How to Read Your Serial Number.....	3
Parts Stocking List.....	7
How to Order Parts.....	8
Service Parts Fax Order Form.....	9

**Electronic Version**

Click on any page number to view the figure.

**100 Decals**

101.1 Decals with Words.....	10
102.1 Decals with Symbols.....	14

**200 Drive Chassis Components**

201.1 2WD Steer Axle Linkage.....	16
202.1 Extendable Steer Axle Installation.....	18
203.1 2WD Steer Axle, Wheel and Hubs.....	20
204.1 Non-steer Axle - Wheels and Hubs.....	22
205.1 Extendable Non-steer Axle Installation.....	28
206.1 4WD Steer Axle Linkage.....	30
207.1 4WD Steer Axle - Wheel and Hubs.....	32

**300 Turntable Components**

301.1 Hydraulic and Fuel Tanks - Gasoline/LPG Models (to SN 5380).....	34
301.2 Hydraulic and Fuel Tanks - Gasoline/LPG Models (from SN 5381).....	38
302.1 Hydraulic and Fuel Tanks - Diesel Models.....	40
303.1 Function Manifold and Auxiliary Power Unit Installation.....	42
304.1 Turntable Rotator and Hydraulic Rotary Coupler Installation.....	44
305.1 Ground Controls - View 1.....	48
306.1 Ground Controls - View 2.....	50
307.1 Turntable Covers - Tank Side.....	54
308.1 Turntable Covers - Engine Side.....	56
309.1 Turntable Covers.....	58

**400 Engine Components**

401.1 Perkins 704-30 Engine - View 1 (to SN 3737).....	60
402.1 Perkins 704-30 Engine - View 2 (to SN 3737).....	62

403.1 Perkins 704-30 Engine - View 3 (to SN 3737).....	64
404.1 Perkins 704-30 Engine - View 4 (to SN 3737).....	66
405.1 Perkins 804D-33 Engine - View 1 (from SN 3738).....	68
406.1 Perkins 804D-33 Engine - View 2 (from SN 3738).....	70
407.1 Perkins 804D-33 Engine - View 3 (from SN 3738).....	72
408.1 Deutz F4L-913 Engine - View 1 (to SN 3772).....	74
409.1 Deutz F4L-913 Engine - View 2 (to SN 3772).....	76
410.1 Deutz F4L-913 Engine - View 3 (to SN 3772).....	78
411.1 Deutz F4L-913 Engine - View 4 (to SN 3772).....	80
412.1 Deutz BF4L-2011 / TD2011-L04i Engine - View 1 (from SN 3773).....	82
413.1 Deutz BF4L-2011 / TD2011-L014i Engine - View 2 (from SN 3773).....	86
414.1 GM 3.0L ELI Engine - View 1.....	88
415.1 GM 3.0L EFI Engine - View 2.....	92
416.1 Ford LRG-425 EFO Engine - View 1.....	94
417.1 Ford LRG-425 EFI Engine - View 2.....	98
418.1 Ford LRG-425 EFI Engine - View 3.....	100
419.1 Ford LRG-425 EFI Engine - View 4.....	102
420.1 Continental TME-27 Engine - View 1.....	104
421.1 Continental TME-27 Engine - View 2.....	106
422.1 Continental TME-27 Engine - View 3.....	110
423.1 Engine Tray and Battery.....	112

**500 Boom Components**

501.1 Boom Installation.....	114
502.1 Extension Boom - View 1.....	116
503.1 Extension Boom - View 2.....	118
504.1 Extension Cylinder Assembly.....	120
505.1 Cable Track Installation.....	122
506.1 Slave Cylinder and Platform Rotator.....	124
507.1 Jib Boom and Platform Rotator.....	126
508.1 Jib Detail.....	130
509.1 Platform Installation.....	132

**600 Platform Components**

601.1 Platform Installation.....	134
602.1 Platform Controls, S-80 - View 1.....	140
602.1 Platform Controls, S-85 - View 1.....	142
603.1 Platform Controls, S-80 - View 2.....	146
603.1 Platform Controls, S-85 - View 2.....	148
604.1 Joysticks (to SN 5519).....	150
604.2 Joysticks (from SN 5520).....	152

**700 Hydraulic Components**

701.1 2WD Traction Manifold (to SN 3834).....	154
701.2 2WD Traction Manifold (from SN 3835).....	156
702.1 4WD Traction Manifold (to SN 3834).....	158

702.2 4WD Traction Manifold (from SN 3835).....	160	Part Number Index.....	238
702.3 4WD Traction Manifold.....	162	Part Description Index.....	246
703.1 Axle Select Manifold and Two-Speed/Brake Manifold.....	164	<b>Cross References</b>	
704.1 Function Manifold - View 1.....	166	Fittings Cross Reference.....	258
705.1 Function Manifold - View 2.....	170		
706.1 Jib Boom and Platform Rotator Manifolds.....	172		
707.1 Pumps.....	174		
708.1 Hydraulic Hoses and Fittings - Steer and Axle Extension.....	176		
709.1 Hydraulic Hoses and Fittings - Drive System (to SN 3834).....	178		
709.2 Hydraulic Hoses and Fittings - Drive System (from SN 3835).....	180		
710.1 Hydraulic Hoses and Fittings - Turntable Components.....	182		
711.1 Hydraulic Hoses and Fittings - Boom.....	186		
712.1 Hydraulic Hoses and Fittings - Boom.....	188		
<b>800 Accessories</b>			
801.1 Alarm and Beacon Package, Driving Lights.....	190		
802.1 Platform Options.....	192		
803.1 Ground and Platform Control Box Covers.....	196		
804.1 Hostile Environment Package - Boom and Turntable Covers (to SN 5894).....	198		
804.2 Hostile Environment Package - Boom and Turntable Covers (from SN 5895).....	200		
805.1 Hostile Environment Package - Turntable.....	202		
806.1 Hostile Environment Package - Engine Air Cleaners.....	204		
807.1 Hostile Environment Package - Cylinder Bellows.....	206		
808.1 Panel Cradle Option.....	208		
809.1 Platform Overload Option.....	210		
810.1 Belt-driven Generator Option - View 1.....	212		
811.1 Belt-driven Generator Option - View 2.....	214		
812.1 Air Line to Platform.....	216		
813.1 Welder Option, Chassis Components - View 1.....	218		
814.1 Welder Option, Platform Components - View 2.....	220		
815.1 Welder Option, Hoses and Fittings - View 3.....	222		
816.1 Hydraulic Generator Option, Continental TME-27 Engine.....	224		
817.1 Hydraulic Generator Option, Continental TME-27 Engine, Hoses and Fittings.....	228		
818.1 Cold Start Package and full Gauge Option.....	230		
819.1 Hydraulic Oil Cooler Option.....	232		
820.1 Hall-Mesh and Pipe Cradle Option.....	234		
821.1 Operator Protection Structure (from SN 3445).....	236		

## Indices



## Required Parts

The following parts are required to perform maintenance procedures as outlined in the *Genie S-80 and S-85 Service Manual*.

### Perkins 704-30 Models (to serial number 3737):

Description	Part No.
Air Filter .....	62420
Fuel Filter Element .....	62421
Fuel/water Separator Filter .....	65853
Engine Oil Filter .....	62422
V-belt .....	62423

### Perkins 804D-33 Models (from serial number 3738):

Description	Part No.
Air Filter .....	62420
Fuel/water Separator Element .....	101614
Engine Oil Filter .....	101613
V-belt .....	102534

### Deutz F4L-913 Models (to serial number 3772):

Description	Part No.
Air Filter .....	62420
Fuel/water Separator Filter .....	75484
Engine Oil Filter .....	62430
V-belt, Blower .....	62431
V-belt, Alternator .....	62432

### Deutz BF4L-2011 / TD2011-L04i Models (from serial number 3773):

Description	Part No.
Air Filter .....	62420
Fuel/water Separator Filter .....	29560
Engine Oil Filter .....	49924
V-belt .....	102589

### GM 3.0L EFI Models:

Description	Part No.
Air Filter .....	62420
Fuel Pre-Filter .....	65626
Fuel Pressure Regulator Filter .....	65627
Engine Oil Filter .....	65623
V-belt .....	65621
PCV Valve .....	65620
Spark Plug .....	65622

### Ford LRG-425 Models:

Description	Part No.
Fuel Pre-Filter .....	52179
Fuel Pressure Regulator Filter .....	58967
Engine Oil Filter .....	28656
Air Filter .....	77295
Serpentine Belt .....	52580
PCV Valve .....	33957
Spark Plug (pack of 4) .....	106490

### Continental TME-27 Models:

Description	Part No.
Fuel Pre-Filter .....	111797
Fuel Pressure Regulator/Filter .....	111914
Engine Oil Filter .....	111917
Air Filter Element .....	62420
V-belt .....	111918
PCV Valve .....	111868
Spark Plug .....	111890
Spark Plug (pack of 4) .....	111846

## Recommended Parts

Description	Part No.
Genie Blue Paint, 1 Gallon .....	32150
Genie Blue Paint, 12 Ounce Aerosol .....	1484
Genie Gray Paint, 1 Gallon .....	32151
Genie Gray Paint, 12 Ounce Aerosol .....	1268

## Manuals

Genie Industries offers the following support documents for these models:

Title	Part No.
Genie S-80 and S-85 Operator's Manual (from serial number 3082 to 3576) .....	82200
Genie S-80 and S-85 Operator's Manual (from serial number 3577 to 4666 and from serial number 4685 to 4702) .....	82580
Genie S-80 and S-85 Operator's Manual (from serial number 4667 to 4684 and after serial number 4702) .....	1000231
Genie S-80 and S-85 Service Manual (from serial number 3081 to 3737) .....	77832
Genie S-80 and S-85 Service Manual (from serial number 3738 to 5380) .....	111165
Genie S-80 and S-85 Service Manual (after serial number 5381) .....	122149
EMI Safety Manual .....	27581
Manual of Responsibilities ANSI A92.5 .....	31779

## How To Order Parts

Please be prepared with the following information when ordering replacement parts for your Terex or Genie product:

- Machine model number
- Machine serial number
- Part number
- Part description and quantity
- Purchase order number
- "Ship to" address
- Desired method of shipment
- Name and telephone number of the authorized distributor in your area

Use the Service Parts Fax Order Form on the next page and fax your order to our Parts Department.

If you don't know the name of your authorized distributor, or if your area is not currently serviced by an authorized distributor, please call Terex or Genie Industries.

### Machine Information

---

Model

---

Serial Number

---

Date of Purchase

---

Authorized Genie Distributor

---

Phone Number

#### North America

Telephone (425) 556-6551  
 Toll Free (877) 367-5606 in U.S.A. and Canada  
 Fax (425) 556-8659  
 Toll Free Fax (888) 274-6192

#### Europe

Parts Telephone (31) (165) 519 313  
 Parts Fax (31) (165) 511 148

#### Australia

Parts Telephone (61) (7) 3456 4444  
 Parts Fax (61) (7) 3456 4466

#### South America

Parts Telephone (55) (11) 4082 5600  
 Parts Fax (55) (11) 4082 5630





Service Parts Fax Order Form

Fax to: (425) 556-8659 or Toll Free: 888-274-6192  
International: +1-425-556-8659

Please fill out completely

Date \_\_\_\_\_ Account Number \_\_\_\_\_  
 Your Name \_\_\_\_\_ Your Fax Number \_\_\_\_\_  
 \_\_\_\_\_ Your Phone Number \_\_\_\_\_  
 Bill To \_\_\_\_\_ Ship To \_\_\_\_\_  
 \_\_\_\_\_  
 \_\_\_\_\_  
 \_\_\_\_\_  
 Purchase Order Number \_\_\_\_\_ Ship Via \_\_\_\_\_

Model(s) \_\_\_\_\_ Serial No.(s) \_\_\_\_\_

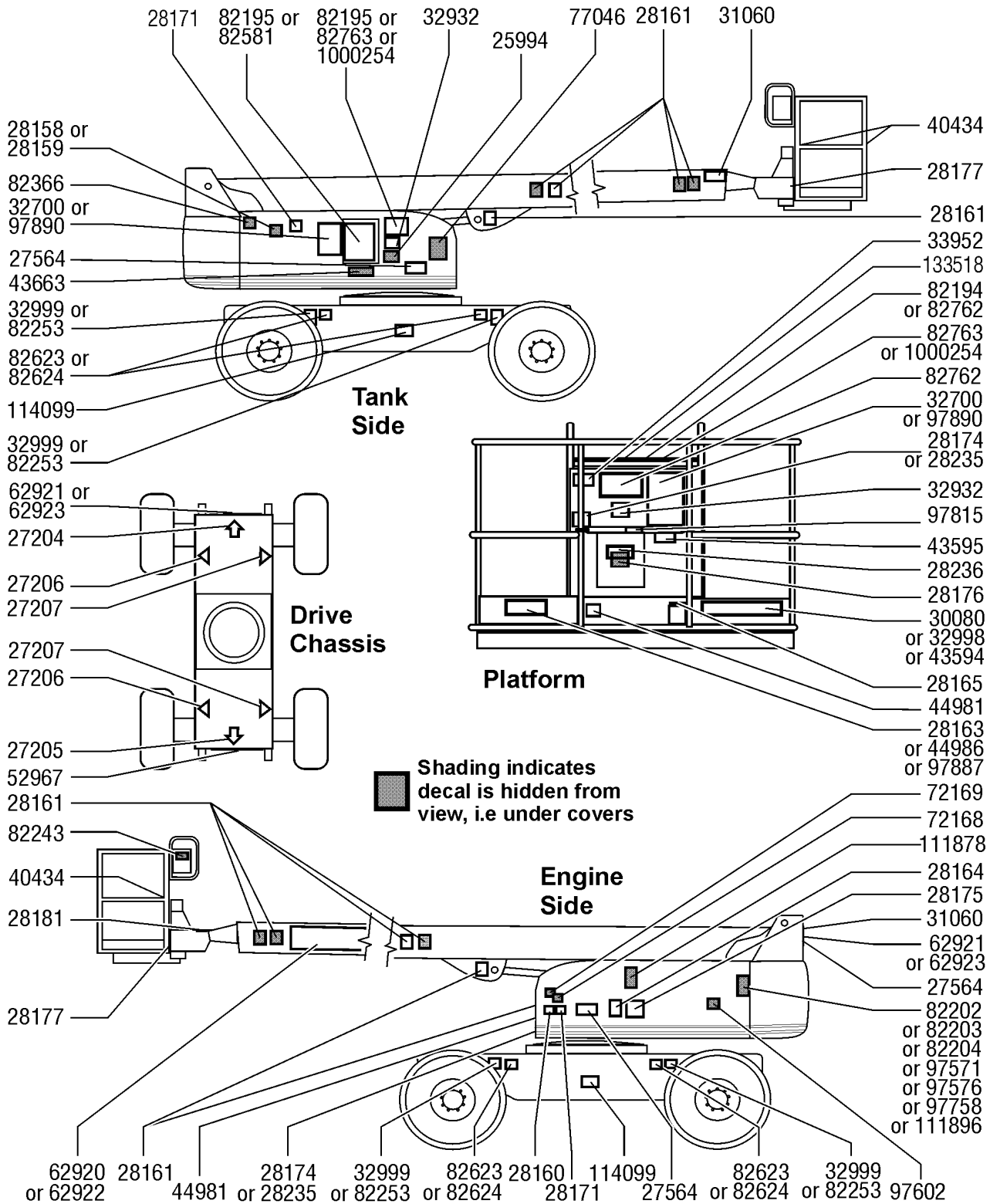
Optional Equipment \_\_\_\_\_

Part Number	Description	Quantity	Price

All back-ordered parts will be shipped when available via the same ship method as the original order unless Noted below:

- Ship complete order only - No back orders
- Ship all available parts and contact customer on disposition of back-ordered parts
- Other (please specify)

101.1 Decals with Words



101.1 Decals with Words

Item	Part No.	Description	Qty.	Item	Part No.	Description	Qty.
--	102435	DECAL KIT W/WORDS S80/85 <i>includes items 1-10, 12-14, 16-19, 21, 23, 24, 26, 28-30, 32, 42, 43, 49, 51, 52, 55, and 56; to SN 3576</i>		16	28175	DECAL,COMPARTMENT ACCESS.....	1
--	102443	WORD DECAL KIT SERV S80/85 <i>includes items 1-10, 12-14, 16-19, 21, 23, 24, 26, 28-30, 32, 42, 43, 49, 51, 52, 55, and 56; from SN 3577 to SN 4666</i>		17	28176	DECAL,LABEL,MANUAL NOT HERE.....	1
--	111323	WORD DECAL KIT SERV S80/85 <i>includes items 1-10, 12-14, 16-19, 21, 23, 24, 26, 28-30, 32, 42, 43, 49, 51, 52, 55, 56 and 59; from SN 4703</i>		18	28177	DECAL,WARN,CRUSH HAZARD PLAT.....	2
--	82926	DECAL,LABEL,ALC BOARD 89353 <i>to SN 4075</i>		19	28181	DECAL,WARN,FALL HAZARD.....	1
--	97807	DECAL,LABEL,ALC S80*** <i>from SN 4076</i>		20	28235	DECAL,POWER TO PLATFORM 115V.....	2
1	25994	DECAL,NOTICE,SHUTOFF VALVES.....	1	21	28236	DECAL,WARN,IMPROPER OPERATION.....	1
2	27204	DECAL,ARROW BLUE.....	1	22	30080	DECAL,NOTICE,MAX LOAD 500 LBS.....	1
3	27205	DECAL,ARROW YELLOW LRG 9".....	1	23	31060	DECAL,DANGER DO NOT ALTER SWTC.....	2
4	27206	DECAL,TRIANGLE,BLUE.....	2	24	97890	DECAL,DANGER,GEN SAFETY RULES.....	2
5	27207	DECAL,TRIANGLE,YELLOW.....	2	--	97890	DECAL,DANGER,GEN SAFETY RULES <i>from SN 4667</i>	
6	27564	DECAL,DANGER,ELEC.HAZ.STAY CLR.....	3	25	133518	DECAL, PATCH, GEN,ALC-500.....	1
7	28158	DECAL,LABEL,UNLEADED GAS ONLY.....	1	26	32932	DECAL,DANGER,TIPOVER,AXLES.2	
8	28159	DECAL,DIESEL.....	1	27	32998	DECAL,NOTICE,MAX LOAD 600 LBS.....	1
9	28160	DECAL,LABEL,LIQUID PROPANE.....	1	28	32999	DECAL,NOTICE,TIRE PRESSURE.....	4
10	28161	DECAL,WARN,CRUSH HAZARD HAND.....	11	29	33952	DECAL,DANGER,TILT ALARM***.....	1
11	97887	DECAL,INSTR,MAX SIDE FRC,ANSI..... <i>USA/Canada Models; to SN 4666</i>	1	30	40434	DECAL,LANYARD ANCHORAGE POINT.....	8
--	97887	DECAL,INSTR,MAX SIDE FRC,ANSI <i>USA/Canada Models; from SN 4667</i>		31	43594	DECAL,NOTICE,MAX LOAD 750 LBS.....	1
12	28164	DECAL,NOTICE,HAZARDOUS MAT'LS*.....	1	32	43663	DECAL,NOTICE, FUNCTION ENABLE*.....	1
13	28165	DECAL,INSTRUCT,FOOTSWITCH OPER.....	1	33	43595	DECAL,DANGER,TIP-OVER,TIRES***.1	
14	28171	DECAL,DANGER,NO SMOKING***.....	2	34	44981	DECAL,LABEL,AIRLINE 110 PSI.....	2
15	28174	DECAL,POWER TO PLATFORM 230V.....	2	35	44986	DECAL,INSTR,SIDE FRC/WIND,AUS.....	1
				36	52967	DECAL,COSMETIC,4 X 4.....	1
				37	62920	DECAL,COSMETIC,GENIE S-80.....	1
				38	62921	DECAL,COSMETIC,S80.....	2
				39	62922	DECAL,COSMETIC,GENIE S-85.....	1
				40	62923	DECAL,COSMETIC,S85.....	2
				41	77046	SERIAL # LABEL,MYLAR 4X8***.....	1

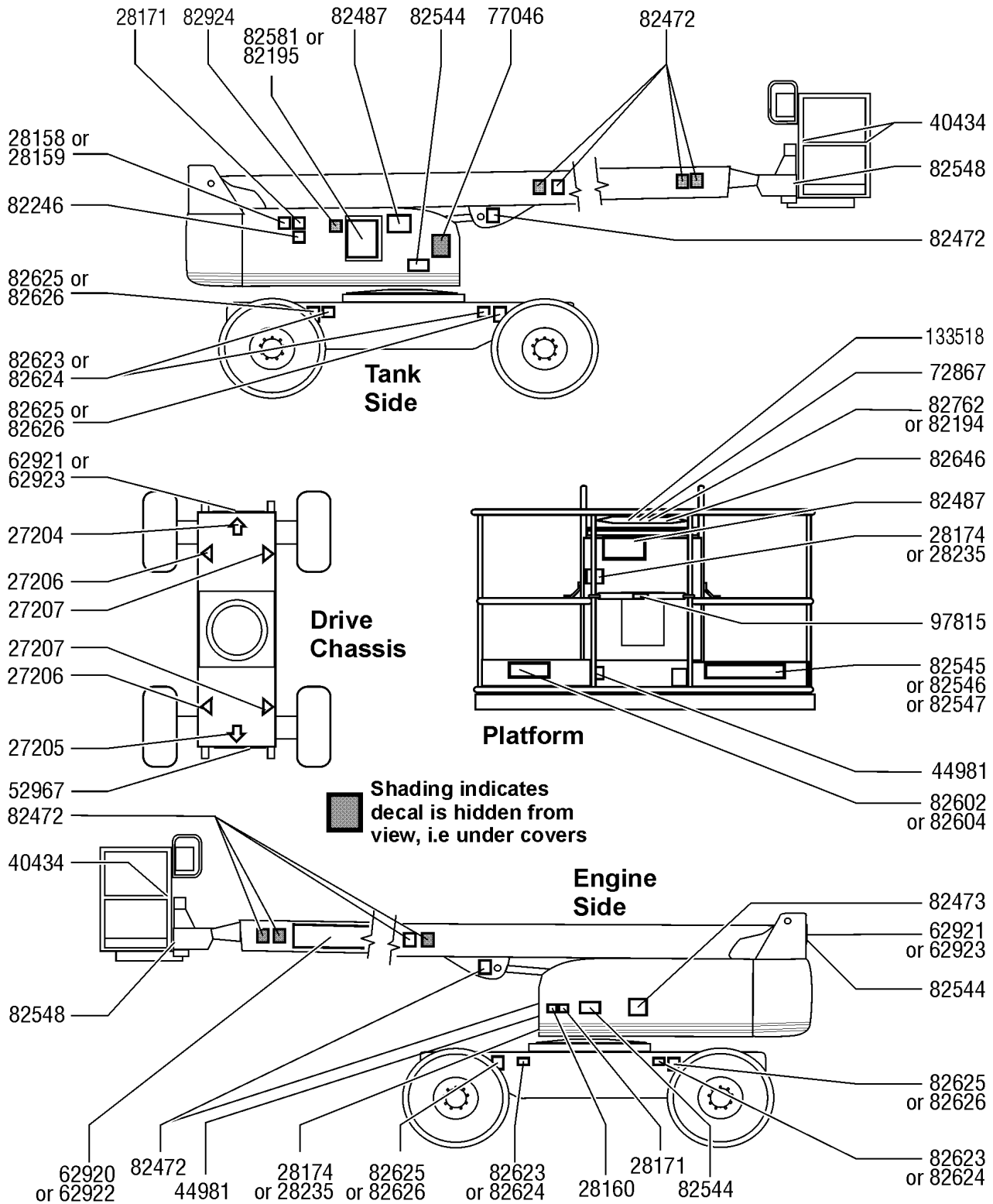


101.1 Decals with Words  
(continued)

Item	Part No.	Description	Qty.	Item	Part No.	Description	Qty.
41	77183	FILM,POLY,CLEAR,4.5 X 8.75		55	82194	DECAL,PLAT.CONTROL PANEL,S80.....1 <i>to SN 3576</i>	
--	77183	FILM,POLY,CLEAR,4.5 X 8.75					
42	72168	DECAL,LABEL,STARTER BATTERY.....1		55	82762	DECAL,PLAT.CONTROL PANEL,S80 <i>from SN 3577</i>	
43	72169	DECAL,LABEL,CONTROLS BATTERY.....1		--	82244	DECAL,PROTECTOR,CLEAR***	
44	122627	DECAL,T3 ENGINE SPEC.PERKINS <i>from SN 6769</i>		--	82762	DECAL,PLAT.CONTROL PANEL,S80 <i>from SN 3577</i>	
44	82202	DECAL, ENGINE SPEC, PERKINS.....1 <i>to SN 3737</i>		56	82207	DECAL,NOTICE,OPERATING INST.IC.....2 <i>to SN 3576</i>	
44	97758	DECAL,NOTICE,PERKINS ENG SPEC <i>from SN 3773 to 6768</i>		--	1000254	DECAL,NOTICE,OPERATING INST.IC <i>from SN 4667 to SN 4684</i>	
--	97758	DECAL,NOTICE,PERKINS ENG SPEC <i>from SN 3738 to 6768</i>		--	82763	DECAL,NOTICE,OPERATING INST.IC <i>from SN 4685 to SN 4702</i>	
45	82203	DECAL,NOTICE,GM 3.0 ENG SPEC.....1		57	97602	DECAL,EXPLOSION HAZARD.....1	
46	97571	DECAL,NOTICE,FORD ENG SPECS T2.....1		58	114099	DECAL,LABEL,TRANSPORT DIAGRAM.....2	
47	128953	DECAL,ENGINE SPEC,DEUTZ,TD2011 <i>from SN 6769</i>		59	97815	DECAL,LABEL,LOWER MIDRAIL....1	
47	82204	DECAL,NOTICE,DEUTZ ENG SPEC.....1 <i>to SN 3772</i>		60	111878	DECAL,FUSE AND RELAY TME27.....1	
47	97576	DECAL,NOTICE,DEUTZ ENG SPECST2 <i>from SN 3773 to 6768</i>					
--	97576	DECAL,NOTICE,DEUTZ ENG SPECST2 <i>from SN 3773 to 6768</i>					
48	111896	DECAL,ENG.SPECS,CONTINENTAL.1					
49	82243	DECAL FAULT CODE.....1					
50	82253	DECAL,NOTICE,HF TIRES-S80/S85.....4					
51	82366	DECAL,CHEVRON RANDO HD....1					
52	82195	DECAL,GROUND CONTROL PANEL.....1 <i>to SN 3576</i>					
--	82581	DECAL,GROUND CONTROL PANEL <i>from SN 3577</i>					
53	82623	DECAL,LABEL,WHEEL LOAD S80.....4					
54	82624	DECAL,LABEL,WHEEL LOAD S85.....4					

*This Page Intentionally Left Blank*

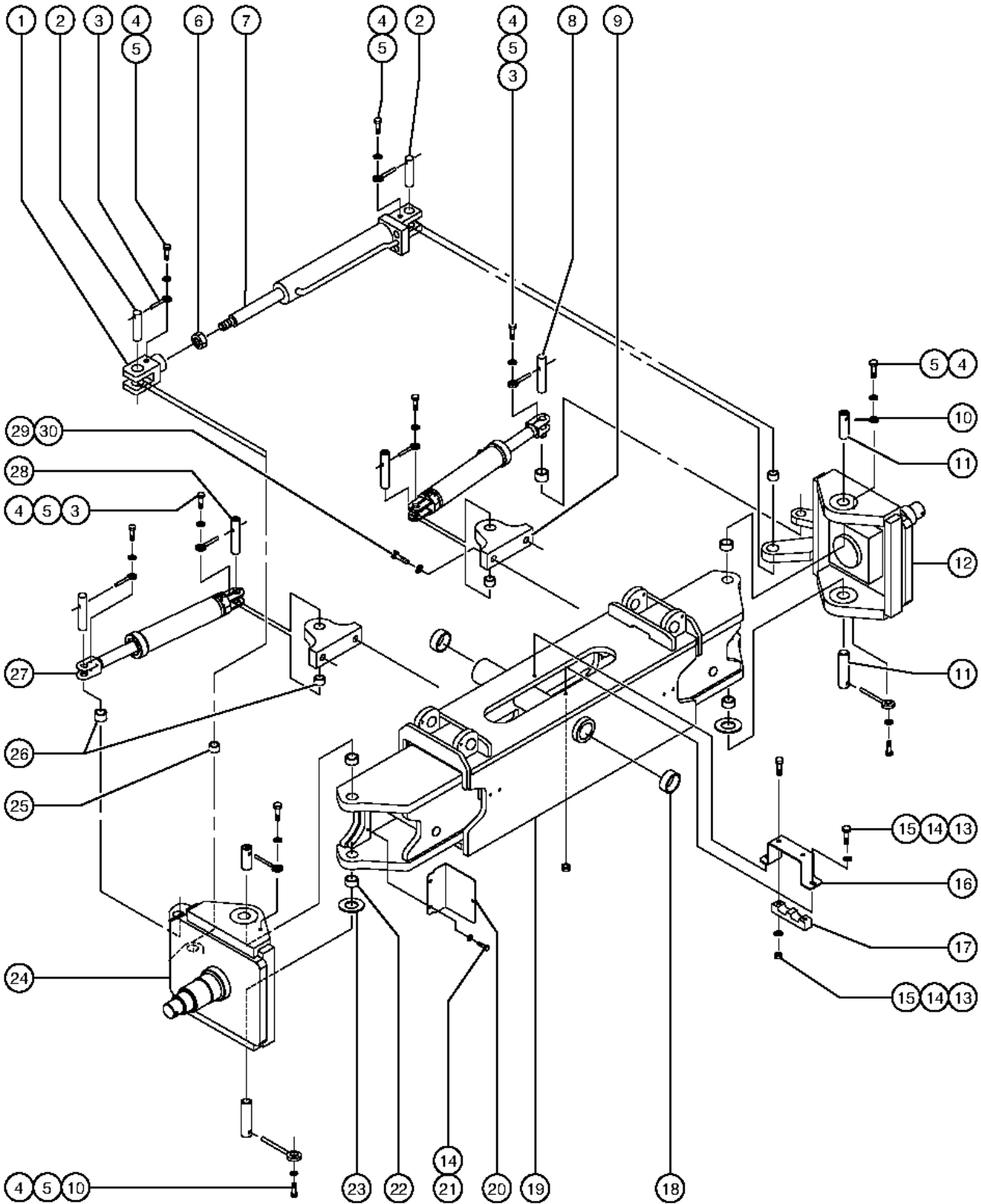
102.1 Decals with Symbols



102.1 Decals with Symbols

Item	Part No.	Description	Qty.	Item	Part No.	Description	Qty.
--	102533	DECAL KIT, SYMBOLS, S80/85 <i>includes items 1-10, 12, 21-26, 28, 30, 31, 36, and 38</i>		27	82547	DECAL,DANGER,MAX LOAD 340 KG.....	1
1	27204	DECAL,ARROW BLUE.....	1	28	82548	DECAL,WARN,CRUSH HAZARD PLAT.....	2
2	27205	DECAL,ARROW YELLOW LRG 9".....	1	29	82581	DECAL,GROUND CONTROL PANEL.....	1
3	27206	DECAL,TRIANGLE,BLUE.....	2	30	82602	DECAL,DANGER,MAX SIDE FRC,667N.....	1
4	27207	DECAL,TRIANGLE,YELLOW.....	2	31	82604	DECAL,DANGER,SIDE FRC 400N..... <i>European models</i>	1
5	28158	DECAL,LABEL,UNLEADED GAS ONLY.....	1	32	82623	DECAL,LABEL,WHEEL LOAD S80.....	4
6	28159	DECAL,DIESEL.....	1	33	82624	DECAL,LABEL,WHEEL LOAD S85.....	4
7	28160	DECAL,LABEL,LIQUID PROPANE.....	1	34	82625	DECAL,LABEL,TIRE PRESSURE S80.....	4
8	28171	DECAL,DANGER,NO SMOKING***.....	2	35	82626	DECAL,LABEL,TIRE PRESS HF S80.....	4
9	28174	DECAL,POWER TO PLATFORM 230V.....	2	36	82646	DECAL,DRIVE ENABLE PATCH....	1
10	28235	DECAL,POWER TO PLATFORM 115V.....	2	37	82762	DECAL,PLAT.CONTROL PANEL,S80.....	1
11	133518	DECAL, PATCH, GEN,ALC-500.....	1	38	82924	DECAL,CAUTION,SHUTOFF VALVES.....	1
12	40434	DECAL,LANYARD ANCHORAGE POINT.....	3	39	97815	DECAL,LABEL,LOWER MIDRAIL....	1
13	44981	DECAL,LABEL,AIRLINE 110 PSI....	2	40	82246	DECAL,LABEL,113 DB.....	1
14	52967	DECAL,COSMETIC,4 X 4.....	1				
15	62920	DECAL,COSMETIC,GENIE S-80....	1				
16	62921	DECAL,COSMETIC,S80.....	2				
17	62922	DECAL,COSMETIC,GENIE S-85....	1				
18	62923	DECAL,COSMETIC,S85.....	2				
19	72867	DECAL,LABEL,LIGHTS***.....	1				
20	77046	SERIAL # LABEL,MYLAR 4X8***....	1				
--	77183	FILM,POLY,CLEAR,4.5 X 8.75					
21	82472	DECAL,WARNING,CRUSHING HAZARD.....	11				
22	82473	DECAL,SYMBOL-COMP ACCESS.....	1				
23	82487	DECAL,SYMBOL-READ THE MANUAL.....	2				
24	82544	DECAL,DANGER,ELEC.HAZ.STAY CLR.....	3				
25	82545	DECAL,DANGER,MAX LOAD 227 KG.....	1				
26	82546	DECAL,DANGER,MAX LOAD 600 LBS.....	1				

201.1 2WD Steer Axle Linkage

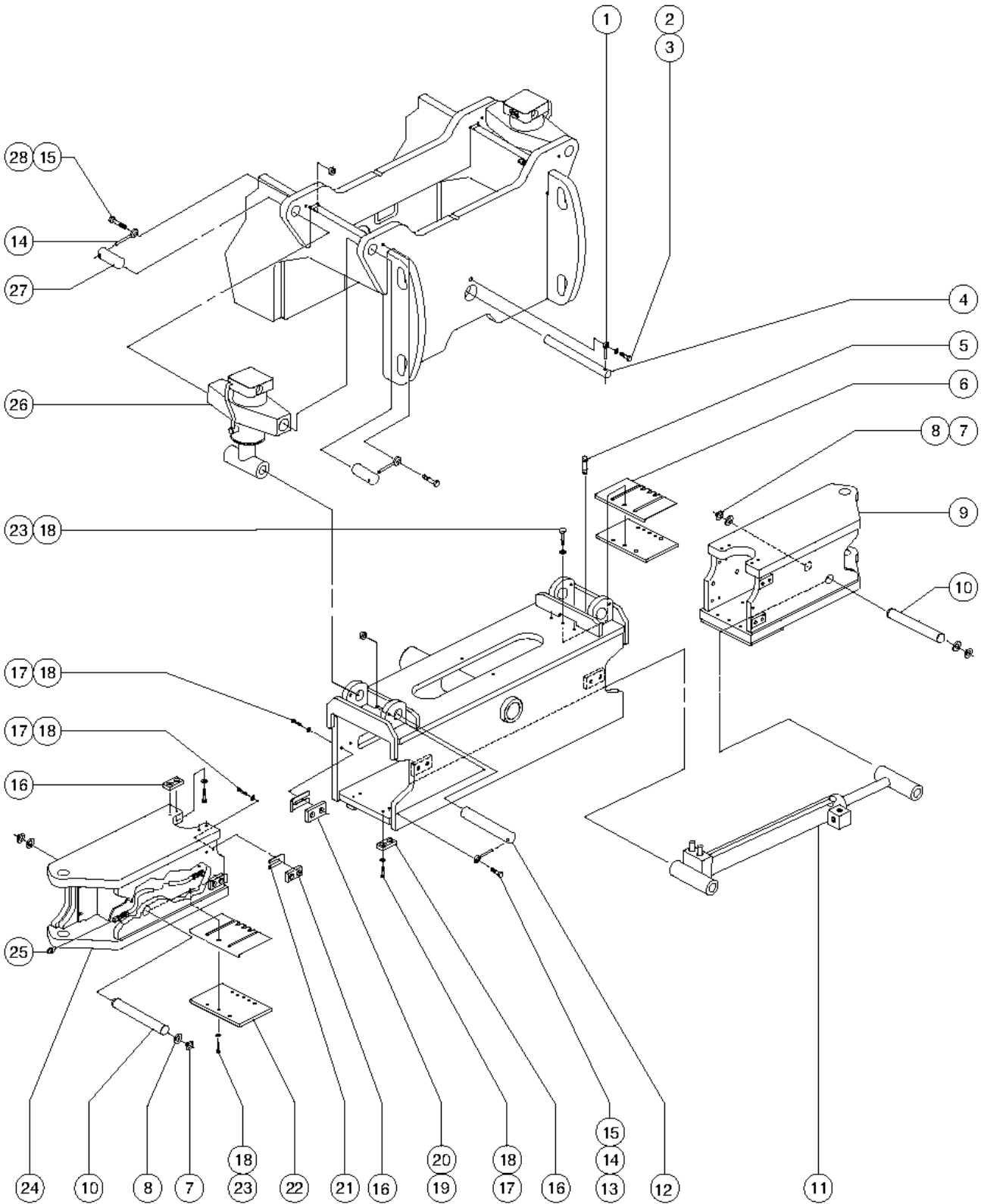




201.1 2WD Steer Axle Linkage

Item	Part No.	Description	Qty.	Item	Part No.	Description	Qty.
1	34290P	ADJUSTMENT LUG,1.25-7 PNTD...1		28	81600	PIN,1.00DIAX3.63LG,THREADED...2	
2	34276	PIN,1.25DIAX3.37LG,1HOLE.....2		29	34348	SCREW,HHC,3/4-10 X 3 GRD.8.....4	
3	25284	ROD END,.375 X 2.25***.....6		30	33278	WASHER,FLAT,.75 HARDENED.....4	
4	6175	SCREW,HHC,3/8-16 X 1					
5	6021	WASHER,LOCK,.375					
6	27953	NUT,HEX,JAM,1.25-7					
7	81993	CYLINDER,TIE ROD, S80/S85.....1					
--	33428	VALVE,COUNTERBALANCE					
--	43018	SEAL KIT (39345)					
--	77529	SEAL KIT,TIE ROD(81993)					
8	30734	PIN,1.00DIAX2.88LG,1HOLE.....2					
9	81908P	PLATE,STEER LUG,PAINTED.....2 <i>to SN 3613</i>					
--	101281P	PLATE,FR AXLE STEER LUG MAC <i>from SN 3614</i>					
10	45226	ROD END,.375 X 3.69.....2					
11	81599	PIN,1.50DIAX4.38LG,1HOLE.....4					
12	81393-S	STEER YOKE ASSEMBLY 2WD,LH.....1 <i>includes items 25 and 26</i>					
13	13918	SCREW,HHC,3/8-16 X 1.75,GRD.8.....4					
14	6097	WASHER,FLAT,USS,3/8",Y					
15	4828	NUT,NYLOCK,3/8-16					
16	81725	FORMING,FRONT AXLE HOSE CLAMP.....1					
17	81709	CLAMP,AXLE EXTEND HOSE.....1					
18	27698	BEARING,2.50IDX2.75ODX2.00L....2					
19	77532	WELDMENT,OUTER FRONT AXLE S80.....1 <i>includes item 18</i>					
20	81607	COVER,FRONT INNER AXLE.....2					
21	8255	SCREW,HHC,3/8-16 X .75					
22	119619	BEARING,1.5IDX1.75ODX1.5L,PTFE.4					
23	45074	WASHER,THRUST,1.5 X 3.5 X .187.....2					
24	81394-S	STEER ASSEMBLY YOKE 2WD,RH.....1 <i>includes items 25 and 26</i>					
25	34245	BEARING,1.25IDX1.50X1.25L.....2					
26	25817	BEARING,1.00IDX1.25ODX1.00L....4					
27	59370	CYLINDER,STEER.....2					
--	88349	SEAL KIT,STEER CYL ***					

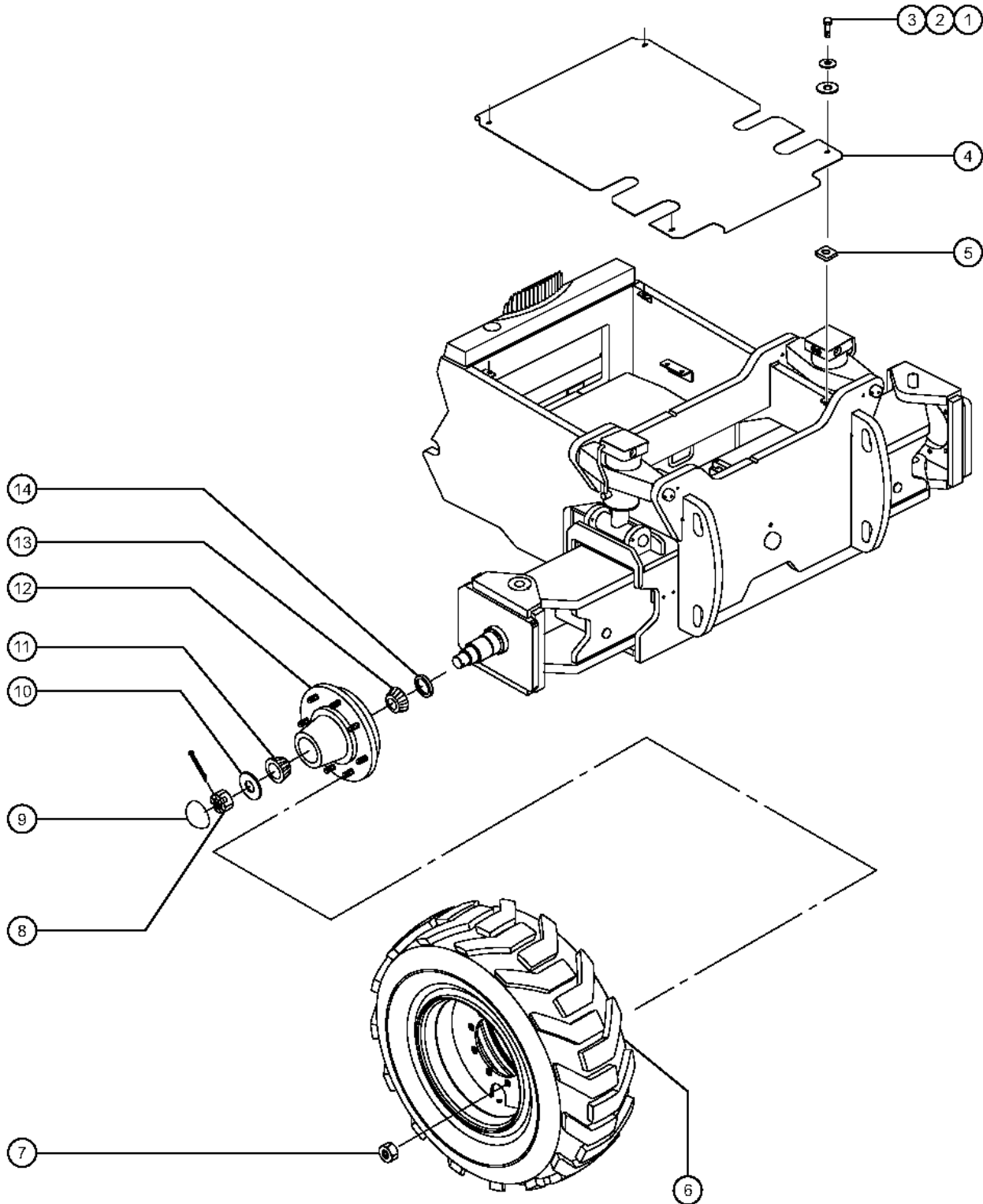
202.1 Extendable Steer Axle Installation



202.1 Extendable Steer Axle Installation

Item	Part No.	Description	Qty.	Item	Part No.	Description	Qty.
1	30418	ROD END,.50 X 4.....	2	--	111154	NIPPLE,1/8 NPT X 2,PLATED	
2	8177	SCREW,HHC,1/2-13 X 1.5		--	28646	ZERK,GREASE,1/8 NPT	
3	6033	WASHER,LOCK,0.5"		--	48885	CONNECTOR,BULKHEAD,FEMALE-4	
4	81378	PIN,2.50DIAX27.63LG,1HOLE.....	2	26	81330	CYLINDER,OSCILLATE*** .....	2
5	111142	ZERK,GREASE,1/8 NPT,1-3/4"LG.....	2	--	33428	VALVE,COUNTERBALANCE	
		<i>from SN 4952</i>		--	43018	SEAL KIT (39345)	
6	81727	SHIM,AXLE WEAR PAD,FRONT....	4	--	77519	SEAL KIT,OSC CYLINDER (81330)*	
7	825796	SNAP RING,EXTERNAL,1.50,ZAG.....	4	27	81498	PIN,1.75DIAX4.50LG,THREADED...4	
8	18596	WASHER,FLAT,1.56 X 2.5 X .061		28	8178	SCREW,HHC,3/8-16 X 2.5	
9	77533	ASSY,LF INNER AXLE,STEER,S80.....	1				
10	81499	PIN,1.50DIAX11.43LG,2RING.....	2				
11	81349	CYLINDER,AXLE EXTENSION S80.....	1				
--	33428	VALVE,COUNTERBALANCE					
--	43018	SEAL KIT (39345)					
--	77528	SEAL KIT,AXLE EXT. (81349)					
--	83134	BLOCK,AXLE EXTEND(S-80 81349)					
12	81598	PIN,1.75DIAX10.75LG,1HOLE.....	2				
13	5224	SCREW,HHC,3/8-16 X 2					
14	45226	ROD END,.375 X 3.69.....	6				
15	4828	NUT,NYLOCK,3/8-16					
16	81640	WEAR PAD,3 X 1.5 X .625 W/NUTS.....	20				
17	13918	SCREW,HHC,3/8-16 X 1.75,GRD.8.....	28				
		<i>to SN 6872</i>					
--	8516	SCREW,HHC,3/8-16 X 1.50,GR5 <i>from SN 6873</i>					
18	6021	WASHER,LOCK,.375					
19	81796	WEAR PAD,4 X 2 X .625 W/INSERT.....	4				
20	81851	SHIM,PAD 2.0 X 4.0 X .06 THK					
21	81642	SHIM,WEAR PAD,3 X 1.5, 16G					
22	111138	WEARPAD,S80 FRONT AXLE.....	4				
23	6708	SCREW,HHC,3/8-16 X 2.25					
24	77534	ASSY,RF INNER AXLE,STEER,S80.....	1				
25	49189-1638	HOSE ASSY,1/4,STR FEM,STR....	2				
		<i>from SN 4952</i>					
--	102729	ELBOW,90D,1/8 NPT X #4 JIC					

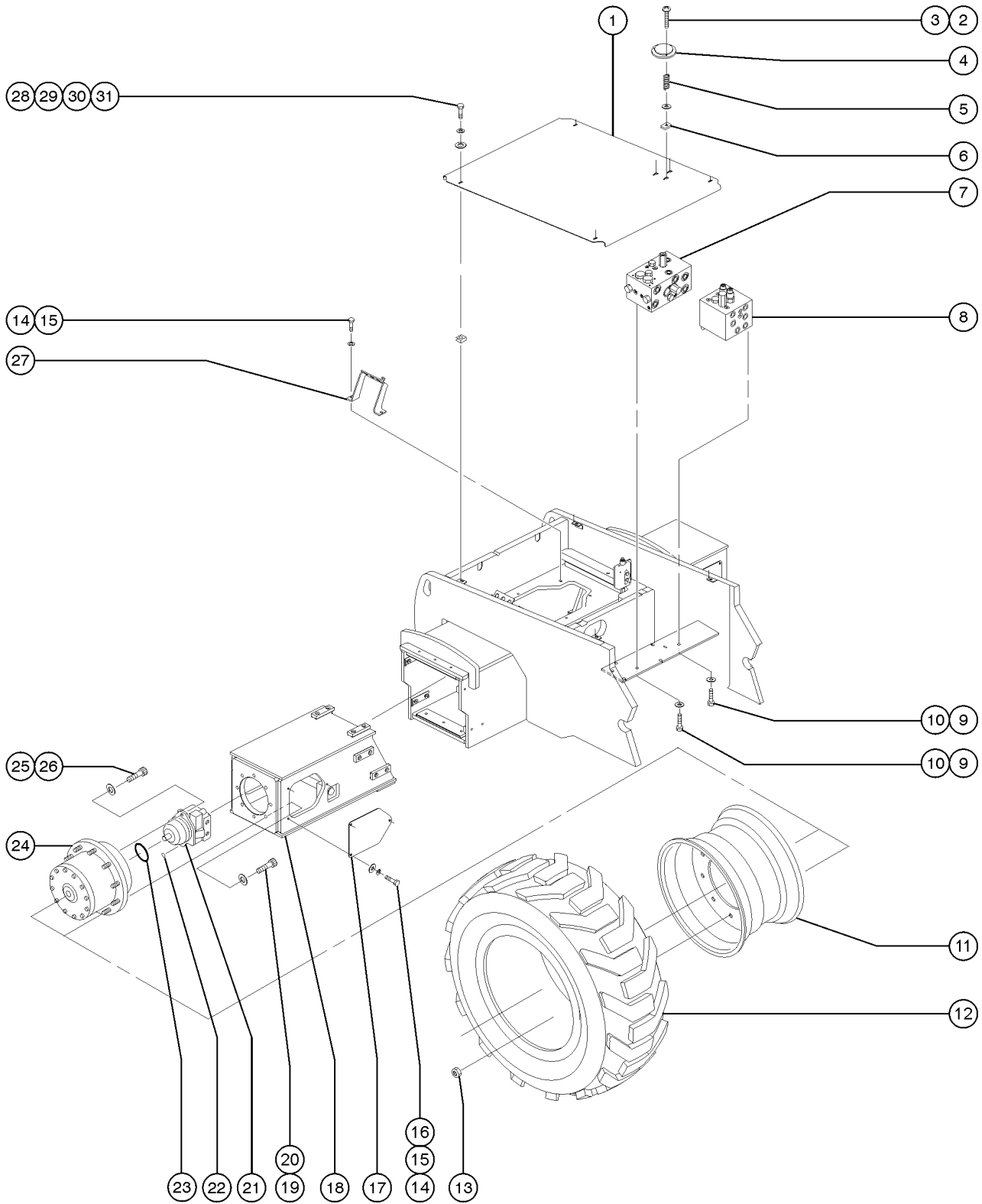
203.1 2WD Steer Axle, Wheel and Hubs



## 203.1 2WD Steer Axle, Wheel and Hubs

Item	Part No.	Description	Qty.
1	6090	SCREW,HHC,1/4-20 X .75	
2	6356	WASHER,LOCK,.25	
3	6638	WASHER,FLAT,USS,1/4"Y	
4	77538	COVER,ASSY,DRIVE CHASSIS FRONT.....	1
5	56912	SPRING CLIP,1/4-20,.025-.15X.5	
6	81527	TIRE,15-22.5,16 PLY,HAULER S80.....	2
		<i>shown</i>	
--	102807	TIRE/WHEEL ASSY	
--	102808	TIRE/WHEEL ASSY	
--	73190	WHEEL, 22.5 X 11.75 S80	
--	73208	TIRE & WHEEL ASSY,NON MARK,RH	
--	73209	TIRE & WHEEL ASSY,NON MARK,LH	
--	73211	TIRE,15-22.5, 16PR,NON-MARKING	
--	81164	TIRE,41/18LL X 22.5,14PR,TURF*	
--	81165	WHEEL,22.5 X 14.00	
--	81528	TIRE & WHEEL ASSY,AIR,RH,S80	
--	81529	TIRE & WHEEL ASSY,AIR,LH,S80	
--	81530	TIRE & WHEEL ASSY,FOAM RH,S80	
--	81531	TIRE & WHEEL,ASSY,FOAM LH,S80	
--	88102	HF SAND TIRE,S80/85	
7	34127	NUT,LUG,3/4-16 X 7/8 RADIUS	
8	34627	NUT,SPINDLE,2.00-12.....	2
--	34628	PIN,COTTER,.375 X 3.5	
9	94795	CAP,DUST.....	2
10	34626	WASHER,FLAT,2.0 X 4.5 X .25	
11	94796	BEARING,OUTER CONE.....	2
12	94789	HUB ASSY W/RACES.....	2
--	73076	HUB RACE,INNER	
--	94791	HUB RACE,OUTER	
--	94792	STUD,WHEEL,3/4-16	
13	94793	BEARING,INNER CONE.....	2
14	94794	SEAL,GREASE.....	2

204.1 Non-steer Axle - Wheels and Hubs



204.1 Non-steer Axle - Wheels and Hubs

Item	Part No.	Description	Qty.	Item	Part No.	Description	Qty.
1	77537	COVER,ASSY,DR CHASSIS REAR S80.....	1	21B	101070	MOTOR,PISTON,2 SPEED,45CC....4 <i>from SN 4212 to SN 4435</i>	4
2	73634	SCREW,PHIL,PHM,10-24X1.5 ZINC <i>European models</i>		--	106098	SEAL KIT,MOTOR,LC/KC*** .....4 <i>from SN 4212 to SN 4435</i>	4
3	6146	WASHER,FLAT,MS,#10,Y <i>European models</i>		21C	81382	MOTOR,PISTON,2 SPEED,45CC....4 <i>from SN 4436 to SN 4617</i>	4
4	77026	LEVEL,BUBBLE,2 DEGREE *.....1 <i>European models</i>	1	--	77806	SEAL KIT,DRIVE MOTOR*** .....4 <i>from SN 4436 to SN 4617</i>	4
5	77027	SPRING,1X.31 ODX.040WIRE,SS.....	1	21D	101070	MOTOR,PISTON,2 SPEED,45CC....4 <i>from SN 4618</i>	4
6	73575	SPRING CLIP,10-24,ZINC <i>European models</i>		--	106098	SEAL KIT,MOTOR,LC/KC*** .....4 <i>from SN 4618</i>	4
7		Ref. 2WD Drive Manifold (refer to 701.1 or 701.2)		21E	88351	MOTOR,PISTON,2 SPEED,45CC 2WD.....	2
--		Ref. 4WD Drive Manifold (refer to 703.1 or 703.2)		--	77806	SEAL KIT,DRIVE MOTOR*** <i>to SN 4863</i>	4
8		Ref. Axle Select Manifold (refer to 702.1)		21F	102717	MOTOR,PISTON,HYD,45CC/19.5CC.2 2WD models; <i>from SN 4864</i>	2
9	10597	SCREW,HHC,1/2-13 X 1.25 GR5		--	106098	SEAL KIT,MOTOR,LC/KC*** <i>from SN 4864</i>	4
10	6033	WASHER,LOCK,0.5"		22	122150	O-RING,5-052,VITON*** .....4	4
11		Ref. Wheel (refer to 203.1)		23	77527	O-RING, MOTOR,GREEN(81382)...4 4WD models; <i>to SN 4211</i>	4
12		Ref. Tire (refer to 203.1)		--	106118	O-RING,2-157,VITON*** .....4 4WD models; <i>from SN 4212 to SN 4435</i>	4
13		Ref. Lug Nut (refer to 203.1)		--	77527	O-RING, MOTOR,GREEN(81382)...2 2WD models; <i>to SN 4863</i>	4
14	8255	SCREW,HHC,3/8-16 X .75		24	81381	WHEEL DRIVE W/BRAKE,60.2:1....4 4WD models; <i>to SN 4211</i>	4
15	6021	WASHER,LOCK, .375		--	101284	WHEEL STUD, 3/4-16 X 60MM 4WD models; <i>to SN 4211</i>	4
16	5397	WASHER,FLAT,USS,5/16", Y		--	102169	O-RING & SHAFT(81381) 4WD models; <i>to SN 4211</i>	4
17	81711P	COVER,REAR AXLE S80 PAINTED.....	2	--	102170	O-RING, COVER (81381) 4WD models; <i>to SN 4211</i>	4
18	81590	INNER AXLE,REAR MACHINED....	2	--	102491	O-RING, DISCONNECT ROD 4WD models; <i>to SN 4211</i>	4
19	73455	SCREW,HHC,5/8-11 X 2.25 GR8.....	32	--	102492	O-RING, GEAR RING (81381) 4WD models; <i>to SN 4211</i>	4
--	111155	SCREW,FLANGE,HHC,5/8-11X2,GR8.32 <i>use with wheel drive 111090</i>	32	--	102493	SEAL,SHAFT (81381) 4WD models; <i>to SN 4211</i>	4
20	13064	WASHER,FLAT,.625 HARDENED.....	32	--	102494	SPRING,DOWEL SLEEVE (81381) 4WD models; <i>to SN 4211</i>	4
		<i>use with wheel drive 81381 or 102711 (machines from SN 3082 to 3595 are required to use two washers p/n 13064 per screw p/n 73455)</i>		--	77525	BRAKE DISC, KIT (81381) 4WD models; <i>to SN 4211</i>	4
21A	81382	MOTOR,PISTON,2 SPEED,45CC....4 <i>to SN 4211</i>	4				
--	77806	SEAL KIT,DRIVE MOTOR*** .....4 <i>to SN 4211</i>	4				

204.1 Non-steer Axle - Wheels and Hubs  
(continued)

Item	Part No.	Description	Qty.	Item	Part No.	Description	Qty.
--	77526	SEAL KIT, BRAKE (81381) 4WD models; to SN 4211		--	226213	END COVER, WHEEL DRIVE *** 4WD models, use with wheel drive 111090, includes O-ring part 226215; from SN 4212 to SN 4435	
24A	122632	UPGRADE KIT, DRIVE HUB, 4WD.....1 Required for first time replacement of all 4 wheel drives item 102711, includes 4 wheel drives item 111090; from SN 4212 to SN 4435	1	--	226215	END COVER O-RING, WHEEL DRIVE 4WD models, use with wheel drive 111090; from SN 4212 to SN 4435	
--	106122	CAP, DISENGAGE, 4HP/4HB*** 4WD models, use with wheel drive 111090; from SN 4212 to SN 4435		--	237228	KIT, BRAKE PIST & SPRI (111090) 4WD models, use with wheel drive 102711; from SN 4212 to SN 4435	
--	111090	WHEEL DRIVE W/BRAKE, 57.49:1.....4 4WD models; from SN 4212 to SN 4435	4	--	33441	STUD, WHEEL, 3/4-16, ( 34115 ) 4WD models, use with wheel drive 111090; from SN 4212 to SN 4435	
--	111158	KIT, CLOSING CAP 4WD models, use with wheel drive 102711; from SN 4212 to SN 4435		--	98692	RING RETAINING snap ring to hold end cover in place, not included in assy 226213; from SN 4212 to SN 4435	
--	111159	KIT, CLOSING COVER 4WD models, use with wheel drive 102711; from SN 4212 to SN 4435		24B	81381	WHEEL DRIVE W/BRAKE, 60.2:1....4 4WD models; from SN 4436 to SN 4617	
--	111160	KIT, PIN (102711) 4WD models, use with wheel drive 102711; from SN 4212 to SN 4435		--	101284	WHEEL STUD, 3/4-16 X 60MM 4WD models; from SN 4436 to SN 4617	
--	111162	KIT, DISC BRAKE (102711) 4WD models, use with wheel drive 102711; from SN 4212 to SN 4435		--	102169	O-RING & SHAFT (81381) 4WD models; from SN 4436 to SN 4617	
--	111163	KIT, O-RING (102711) 4WD models, use with wheel drive 102711; from SN 4212 to SN 4435		--	102170	O-RING, COVER (81381) 4WD models; from SN 4436 to SN 4617	
--	111361	SEAL KIT (111090) 4WD models, use with wheel drive 111090; from SN 4212 to SN 4435		--	102491	O-RING, DISCONNECT ROD 4WD models; from SN 4436 to SN 4617	
--	111362	BOLT, WHEEL DRIVE CAP (106122) 4WD models, use with wheel drive 111090; from SN 4212 to SN 4435		--	102492	O-RING, GEAR RING (81381) 4WD models; from SN 4436 to SN 4617	
--	111363	O-RING, DISCONNECT ROD (111060) 4WD models, use with wheel drive 111090; from SN 4212 to SN 4435		--	102493	SEAL, SHAFT (81381) 4WD models; from SN 4436 to SN 4617	
--	1260081	PISTON, BRAKE 4WD models, use with wheel drive 102711; from SN 4212 to SN 4435		--	102494	SPRING, DOWEL SLEEVE (81381) 4WD models; from SN 4436 to SN 4617	
--	1260082	SPRING, HELICAL, RH 4WD models, use with wheel drive 102711; from SN 4212 to SN 4435		--	77525	BRAKE DISC, KIT (81381) 4WD models; from SN 4436 to SN 4617	
--	220254	STUD (102711) 4WD models, use with wheel drive 102711; from SN 4212 to SN 4435		--	77526	SEAL KIT, BRAKE (81381) 4WD models; from SN 4436 to SN 4617	



204.1 Non-steer Axle - Wheels and Hubs

Item	Part No.	Description	Qty.	Item	Part No.	Description	Qty.
24C	122632	UPGRADE KIT, DRIVE HUB, 4WD.....1 <i>Required for first time replacement of all 4 wheel drives item 102711, includes 4 wheel drives item 111090; from SN 4618</i>	1	--	220254	STUD (102711) <i>4WD models, use with wheel drive 102711; from SN 4618</i>	
--	106122	CAP,DISENGAGE,4HP/4HB*** <i>4WD models, use with wheel drive 111090; from SN 4618</i>		--	226213	END COVER,WHEEL DRIVE *** <i>4WD models, use with wheel drive 111090, includes O-ring part 226215; from SN 4618</i>	
--	111090	WHEEL DRIVE W/BRAKE,57.49:1.....4 <i>4WD models; from SN 4618</i>	4	--	226215	END COVER O-RING,WHEEL DRIVE <i>4WD models, use with wheel drive 111090; from SN 4618</i>	
--	111158	KIT,CLOSING CAP <i>4WD models, use with wheel drive 102711; from SN 4618</i>		--	237228	KIT,BRAKE PIST & SPRI (111090)	
--	111159	KIT,CLOSING COVER <i>4WD models, use with wheel drive 102711; from SN 4618</i>		--	33441	STUD,WHEEL,3/4-16, ( 34115 ) <i>4WD models, use with wheel drive 111090; from SN 4618</i>	
--	111160	KIT,PIN (102711) <i>4WD models, use with wheel drive 102711; from SN 4618</i>		--	98692	RING RETAINING <i>snap ring to hold end cover in place, not included in assy 226213; from SN 4618</i>	
--	111162	KIT,DISC BRAKE (102711) <i>4WD models, use with wheel drive 102711; from SN 4618</i>		24D	81383	WHEEL DRIVE,2WD 92.5:1.....2 <i>2WD models; to SN 4863</i>	2
--	111163	KIT,O-RING (102711) <i>4WD models, use with wheel drive 102711; from SN 4618</i>		--	101533	SEAL KIT (81383) <i>2WD models; to SN 4863</i>	
--	111361	SEAL KIT (111090) <i>4WD models, use with wheel drive 111090; from SN 4618</i>		--	101534	BRAKE DISC KIT (81383) <i>2WD models; to SN 4863</i>	
--	111362	BOLT,WHEEL DRIVE CAP(106122) <i>4WD models, use with wheel drive 111090; from SN 4618</i>		24E	102719	WHEEL DRIVE W/BRAKE,91.97:1.....2 <i>2WD models; from SN 4864</i>	2
--	111363	O-RING,DISCONNECT ROD (111060) <i>4WD models, use with wheel drive 111090; from SN 4618</i>		--	111158	KIT,CLOSING CAP <i>2WD models; from SN 4864</i>	
--	1260081	PISTON, BRAKE <i>4WD models, use with wheel drive 102711; from SN 4618</i>		--	111403	KIT,CLOSING COVER (102719) <i>2WD models; from SN 4864</i>	
--	1260082	SPRING, HELICAL, RH <i>4WD models, use with wheel drive 102711; from SN 4618</i>		--	111404	KIT,PIN (102719) <i>2WD models; from SN 4864</i>	
--	146494	BEARING KIT <i>4WD models, use with wheel drive 102711; from SN 4618</i>		--	111405	KIT,DISC BRAKE (102719) <i>2WD models; from SN 4864</i>	
--	146495	O-RING <i>4WD models, use with wheel drive 102711; from SN 4618</i>		--	111406	KIT,O-RING (102719) <i>2WD models; from SN 4864</i>	
				--	111407	KIT,BRAKE PISTON & SPRINGS <i>2WD models; from SN 4864</i>	
				--	220254	STUD (102711) <i>2WD models; from SN 4864</i>	
				25	75101	SCREW,SHC,1/2-13 X 1.25,A574....8	8
				26	13064	WASHER,FLAT,.625 HARDENED....8	8
				27	81741	SCREW,SHC,1/2-13 X 1.25,A574	
				28	6090	SCREW,HHC,1/4-20 X .75	
				29	6356	WASHER,LOCK, .25	

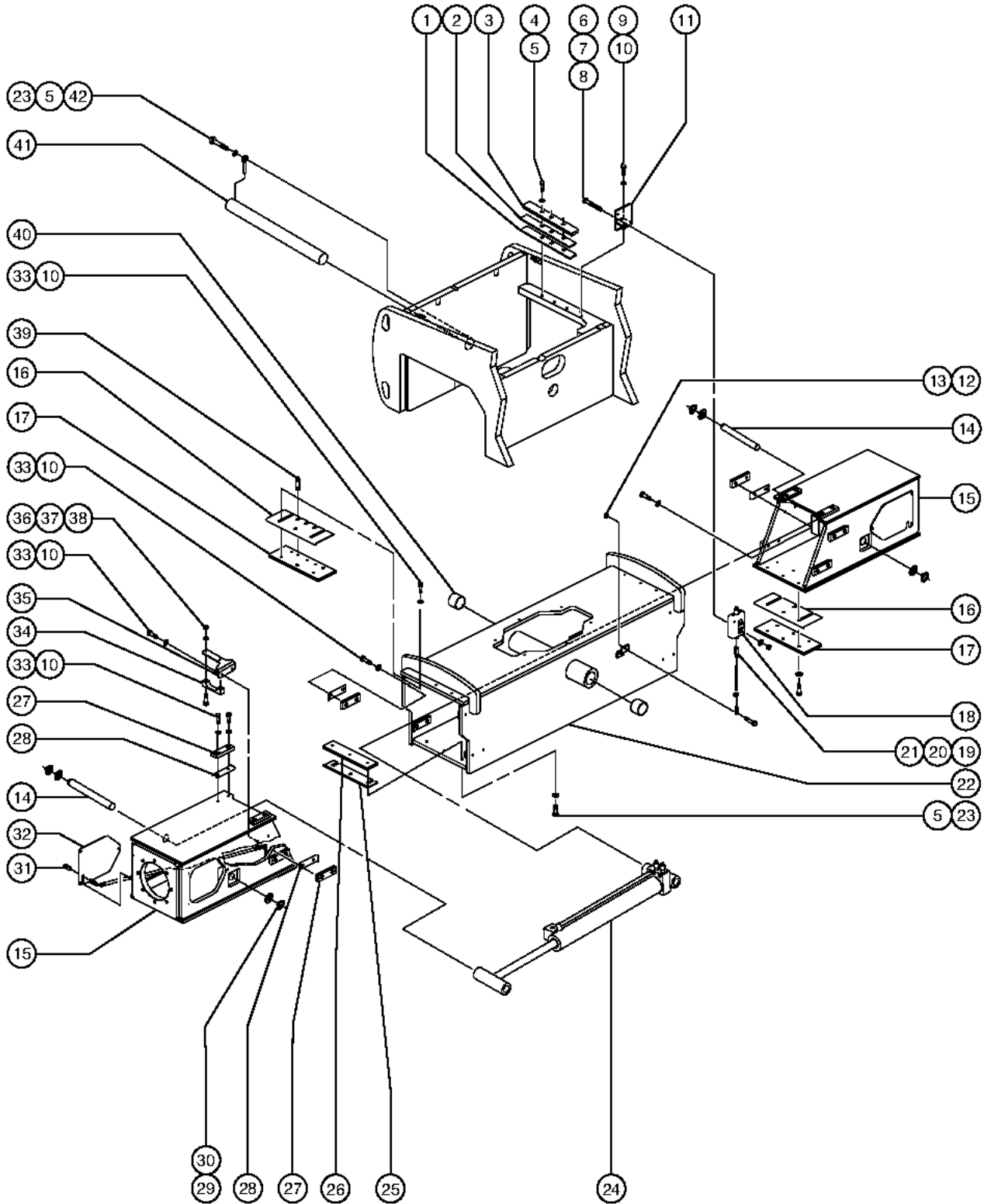


**204.1 Non-steer Axle - Wheels and Hubs**  
(continued)

<b>Item</b>	<b>Part No.</b>	<b>Description</b>	<b>Qty.</b>
30	6638	WASHER,FLAT,USS,1/4"Y	
31	56912	SPRING CLIP,1/4-20,.025-.15X.5	

*This Page Intentionally Left Blank*

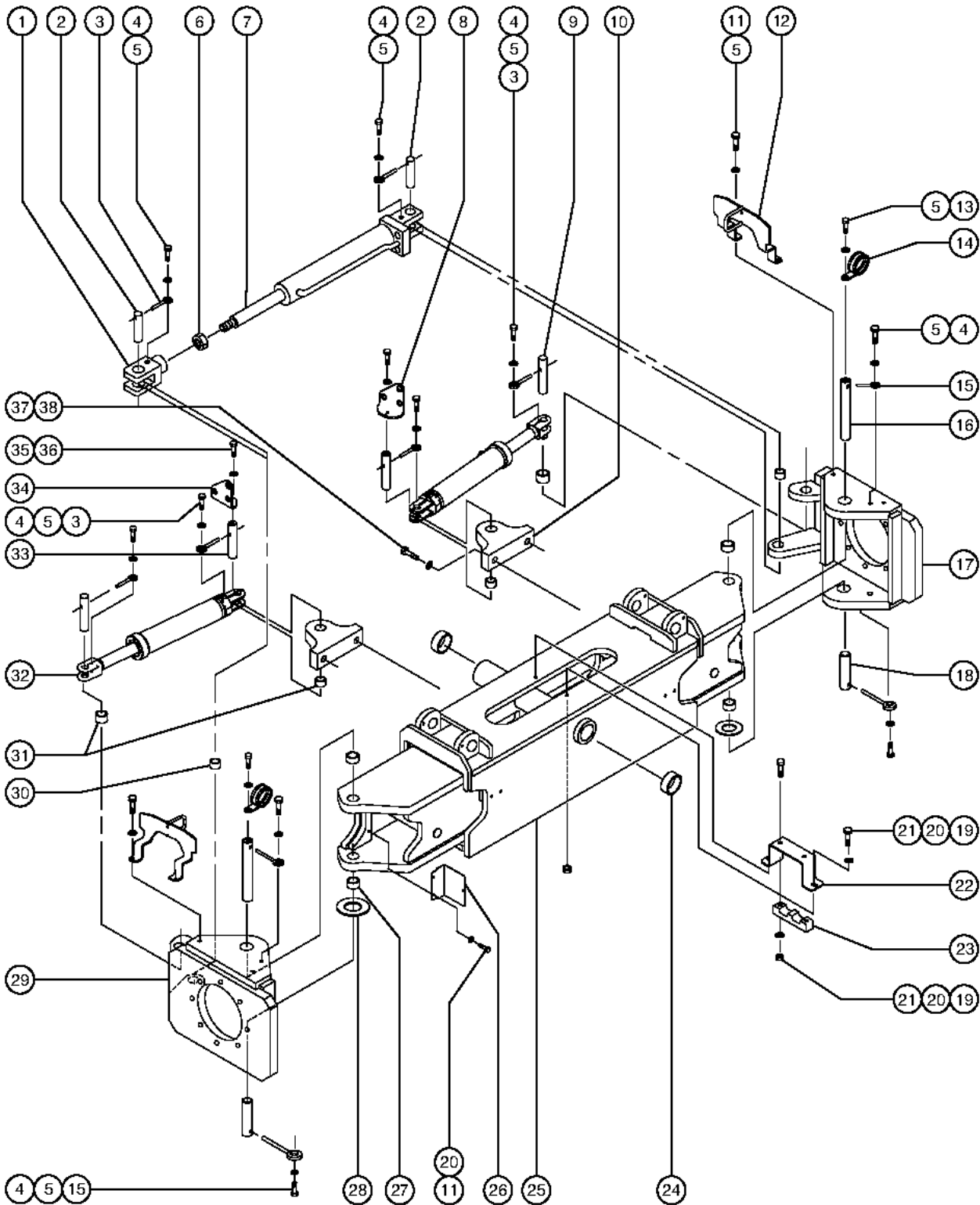
205.1 Extendable Non-steer Axle Installation



205.1 Extendable Non-steer Axle Installation

Item	Part No.	Description	Qty.	Item	Part No.	Description	Qty.
1	81610	SHIM,AXLE ROTATION STOP,16G		29	825796	SNAP RING,EXTERNAL,1.50,ZAG.....	4
2	81609	SHIM,AXLE ROTATION STOP,22G		30	18596	WASHER,FLAT,1.56 X 2.5 X .061	
3	88092P	BAR,AXLE ROTATION STOP PAINT.....	2	31	49189-1638	HOSE ASSY,1/4,STR FEM,STR.....	2
4	9145	SCREW,HHC,1/2-13 X 2.5,GR5				<i>from SN 4952</i>	
5	6033	WASHER,LOCK,0.5"		--	102729	ELBOW,90D,1/8 NPT X #4 JIC	
6	8179	SCREW,HHC,1/4-20 X 2.25		--	28646	ZERK,GREASE,1/8 NPT	
7	6638	WASHER,FLAT,USS,1/4"Y		--	48885	CONNECTOR,BULKHEAD,FEMALE-4	
8	6091	NUT,NYLOCK,1/4-20		--	61742	NIPPLE,PIPE,LONG 1/8 X 1.5	
9	8255	SCREW,HHC,3/8-16 X .75		32	81711P	COVER,REAR AXLE S80 PAINTED	
10	6021	WASHER,LOCK, .375		33	8516	SCREW,HHC,3/8-16 X 1.50,GR5	
11	81695	BRACKET,OSC.VALVE MOUNT.....	1	34	88006	CLAMP,AXLE EXTEND HOSE.....	1
12	5365	NUT,NYLOCK,10-24		35	88007	MOUNT,AXLE EXTEND HOSE CLAMP.....	1
13	6584	SCREW,SHS,10-24 X .625		36	4828	NUT,NYLOCK,3/8-16	
14	81856	PIN,1.50DIAX13.43LG,2RING.....	2	37	5397	WASHER,FLAT,USS,5/16",Y	
15	81590	INNER AXLE,REAR MACHINED.....	2	38	5224	SCREW,HHC,3/8-16 X 2	
16	81726	SHIM,AXLE WEAR PAD REAR.....	4	39	111142	ZERK,GREASE,1/8 NPT,1-3/4"LG.....	2
17	111139	WEARPAD,S80 REAR AXLE.....	4			<i>from SN 4952</i>	
18	81552	VALVE,MANUAL,W/RELIEF VALVE***.....	1	40	27698	BEARING,2.50IDX2.75ODX2.00L....	2
--	32681	SEAL KIT,CONTROL VALVE		41	81378	PIN,2.50DIAX27.63LG,1HOLE.....	1
19	21130	CLEVIS YOKE-1/4-28,PLTD W/PIN.....	1	42	30418	ROD END,.50 X 4.....	1
20	30785-600	THREADED ROD,1/4-28 X 6 IN***.....	1				
21	21496	NUT,HEX,1/4-28					
22	77535	ASSEMBLY,OUTER AXLE,REAR, S80.....	1				
		<i>includes item 37</i>					
23	8177	SCREW,HHC,1/2-13 X 1.5					
24	81349	CYLINDER,AXLE EXTENSION S80.....	1				
--	33428	VALVE,COUNTERBALANCE					
--	43018	SEAL KIT (39345)					
--	77528	SEAL KIT,AXLE EXT. (81349)					
--	83134	BLOCK,AXLE EXTEND(S-80 81349)					
25	81729	SHIM,AXLE WEAR PAD.....	2				
26	81728P	PLATE,AXLE STOP PAINTED.....	2				
27	30138	WEAR PAD,5 X 1.5 X .625 W/NUTS.....	20				
28	29080	SHIM,WEAR PAD,5X 1.5 16GA.....	20				

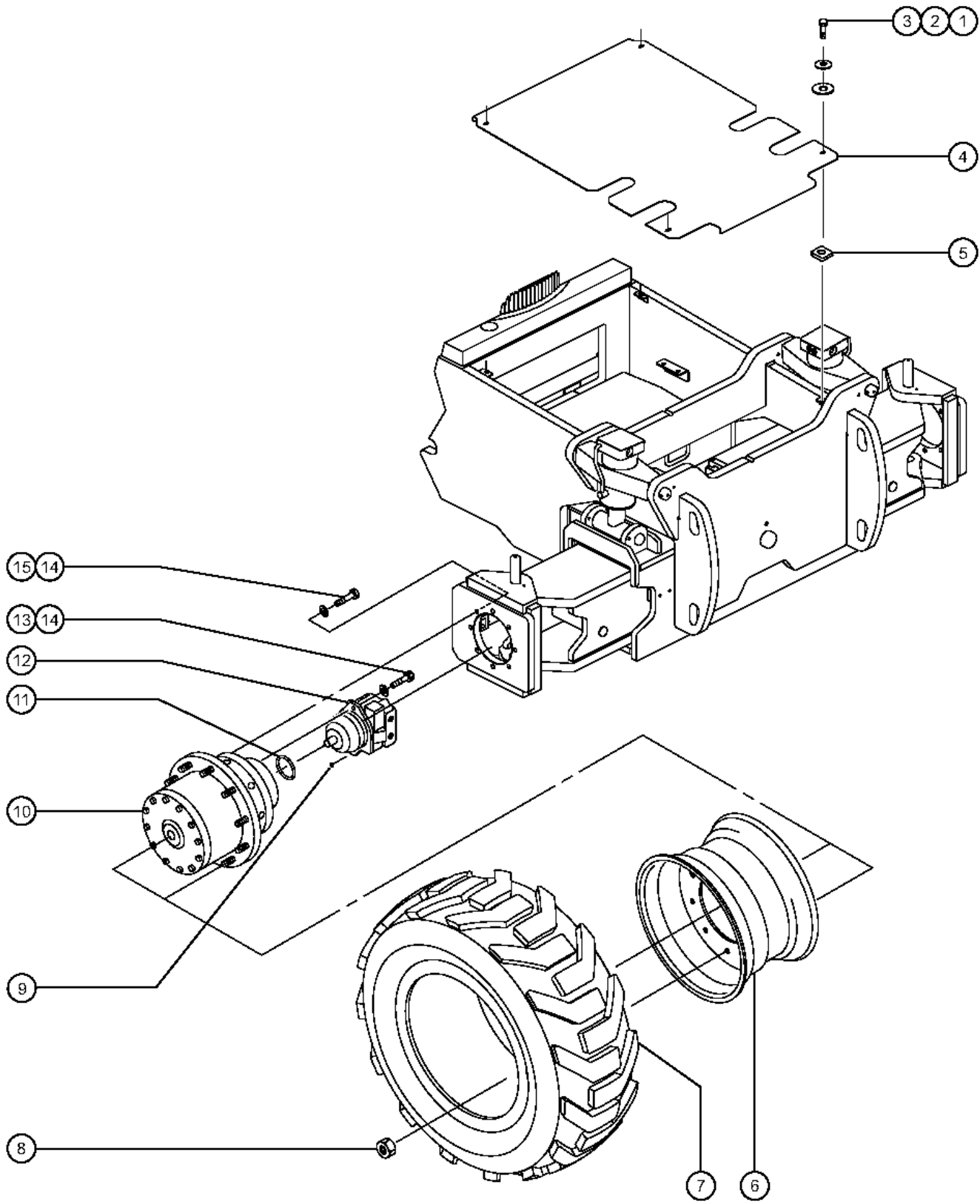
206.1 4WD Steer Axle Linkage



206.1 4WD Steer Axle Linkage

Item	Part No.	Description	Qty.	Item	Part No.	Description	Qty.
1	34290P	ADJUSTMENT LUG,1.25-7 PNTD...1		20	6097	WASHER,FLAT,USS,3/8",Y	
2	34276	PIN,1.25DIAX3.37LG,1HOLE.....2		21	4828	NUT,NYLOCK,3/8-16	
3	25284	ROD END,.375 X 2.25***.....6		22	81725	FORMING,FRONT AXLE HOSE CLAMP.....1	
4	6175	SCREW,HHC,3/8-16 X 1		23	81709	CLAMP,AXLE EXTEND HOSE.....1	
5	6021	WASHER,LOCK,375		24	27698	BEARING,2.50IDX2.75ODX2.00L....2	
6	27953	NUT,HEX,JAM,1.25-7		25	77532	WELDMENT,OUTER FRONT AXLE S80.....1	
7	81993	CYLINDER,TIE ROD, S80/S85.....1				<i>includes item 24</i>	
--	33428	VALVE,COUNTERBALANCE		26	81607	COVER,FRONT INNER AXLE.....2	
--	43018	SEAL KIT (39345)		27	119619	BEARING,1.5IDX1.75ODX1.5L,PTFE.4	
--	77529	SEAL KIT,TIE ROD(81993)		28	45074	WASHER,THRUST,1.5 X 3.5 X .187.....2	
8	81737P	FORMING,FRONT AXLE HOSE PAINT.....1		29	77531	YOKE WELDMENT,ASSEM RH.4WD.....1	
9	30734	PIN,1.00DIAX2.88LG,1HOLE.....2				<i>includes items 27 and 28</i>	
10	81908P	PLATE,STEER LUG,PAINTED.....2		30	34245	BEARING,1.25IDX1.50X1.25L.....2	
		<i>to SN 3613</i>		31	25817	BEARING,1.00IDX1.25ODX1.00L....4	
--	101281P	PLATE,FR AXLE STEER LUG MAC <i>from SN 3614</i>		32	59370	CYLINDER,STEER.....2	
11	8255	SCREW,HHC,3/8-16 X .75		32	88349	SEAL KIT,STEER CYL***	
12	61662-S	WELDMENT,GUIDE BRACKET.....2		33	81600	PIN,1.00DIAX3.63LG,THREADED...2	
		<i>from SN 4212 to SN 4435</i>		34	88123P	FORMING,FRONT AXLE HOSE BH,RH.....1	
--	61662-S	WELDMENT,GUIDE BRACKET.....2		35	6090	SCREW,HHC,1/4-20 X .75	
		<i>from SN 4618</i>		36	6356	WASHER,LOCK,.25	
13	8516	SCREW,HHC,3/8-16 X 1.50,GR5		37	34348	SCREW,HHC,3/4-10 X 3 GRD.8....4	
14	32339	CLAMP,1.75,#28 X 3/8,RUB CUSH*.....2		38	33278	WASHER,FLAT,.75 HARDENED....4	
		<i>to SN 4211</i>					
--	32339	CLAMP,1.75,#28 X 3/8,RUB CUSH*.....2					
		<i>from SN 4436 to SN 4617</i>					
15	45226	ROD END,.375 X 3.69.....4					
		<i>to SN 4211</i>					
--	45226	ROD END,.375 X 3.69.....4					
		<i>to SN 4211</i>					
16	81895	PIN,1.50DIAX7.88LG,THREADED...2					
		<i>to SN 4211</i>					
--	81599	PIN,1.50DIAX4.38LG,1HOLE.....2					
		<i>from SN 4618</i>					
--	81895	PIN,1.50DIAX7.88LG,THREADED...2					
		<i>from SN 4436 to SN 4617</i>					
17	77530	4WD YOKE WELD ASSEM.LH.....1					
		<i>includes items 27 and 28</i>					
18	81599	PIN,1.50DIAX4.38LG,1HOLE.....2					
19	13918	SCREW,HHC,3/8-16 X 1.75,GRD.8.....4					

207.1 4WD Steer Axle - Wheel and Hubs

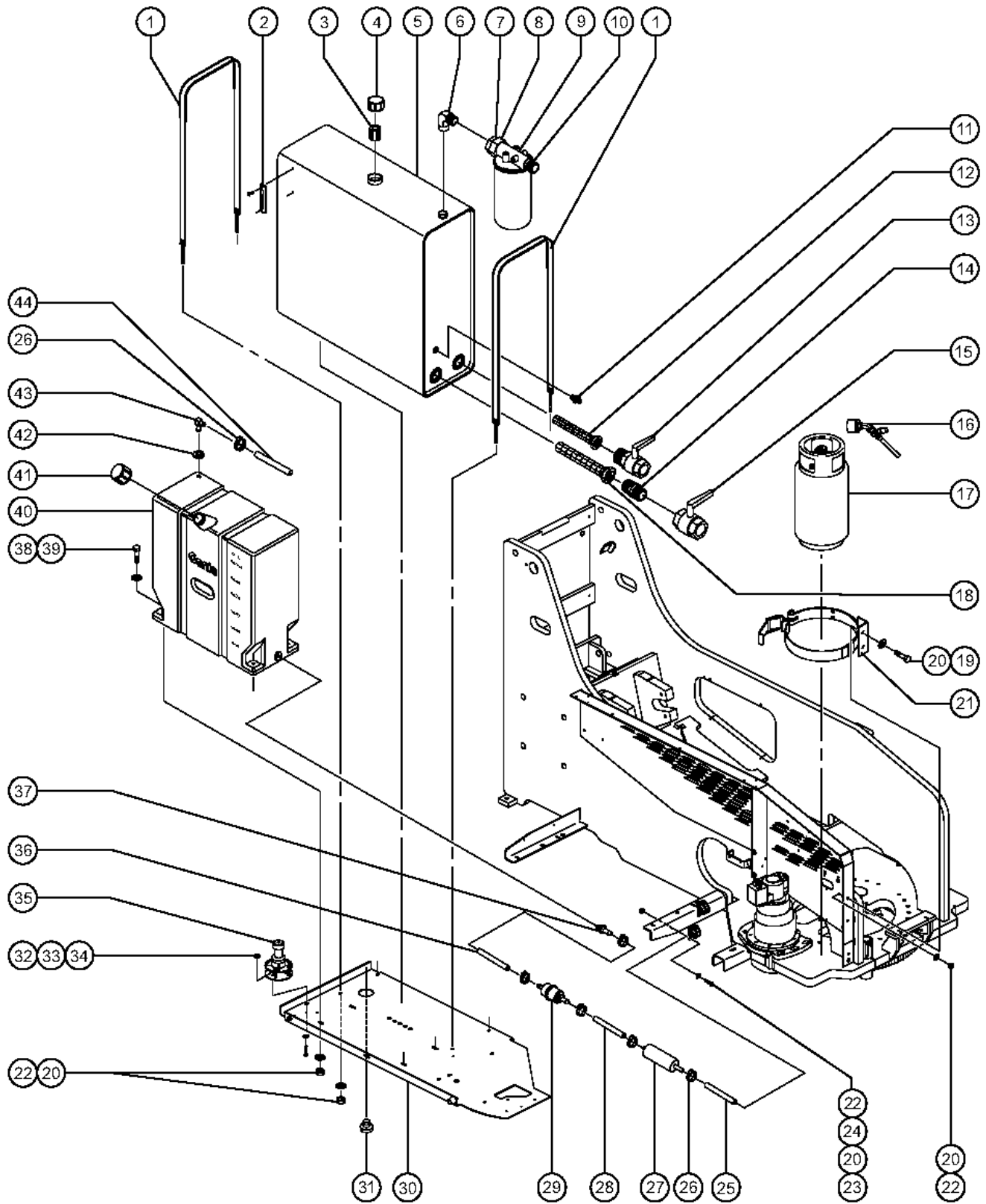




207.1 4WD Steer Axle - Wheel and Hubs

Item	Part No.	Description	Qty.
1	6090	SCREW,HHC,1/4-20 X .75	
2	6356	WASHER,LOCK,.25	
3	6638	WASHER,FLAT,USS,1/4"Y	
4	77538	COVER,ASSY,DRIVE CHASSIS FRONT.....1	
5	56912	SPRING CLIP,1/4-20,.025-.15X.5.....4	
6		Ref. Wheel (refer to 203.1)	
7		Ref. Tire (refer to 203.1)	
8		Ref. Lug Nut (refer to 203.1)	
9		Ref. O-ring (refer to 204.1)	
10		Ref. Drive Hub (refer to 204.1)	
11		Ref. O-ring (refer to 204.1)	
12		Ref. Drive Motor (refer to 204.1)	
13		Ref. Screw (refer to 204.1)	
14		Ref. Flat Washer (refer to 204.1)	
15		Ref. Screw (refer to 204.1)	

301.1 Hydraulic and Fuel Tanks - Gasoline/LPG Models (to SN 5380)



301.1 Hydraulic and Fuel Tanks - Gasoline/LPG Models (to SN 5380)

Item	Part No.	Description	Qty.	Item	Part No.	Description	Qty.
1	31524	STRAP ASSY,TANK, 66 INCH.....	2	19	6175	SCREW,HHC,3/8-16 X 1	
--	31658	EXTRUSION,RUBBER BUMPER STRIP		20	5397	WASHER,FLAT,USS,5/16",Y	
2	21141	GAUGE-SIGHT,LHA-LGTB***.....	1	21	53120-S	LP.TANK BRACKET TALL WLDMNT.....	1
3	31506	STRAINER,FILLER NECK.....	1	22	4828	NUT,NYLOCK,3/8-16	
4	53527	CAP,FILLER BREATHER,3 MICRON**.....	1	23	6019	SCREW,HHC,3/8-16 X 1.25 GRD 5	
5	58210	HYDRAULIC TANK ASSY,S40/80***.....	1	24	32339	CLAMP,1.75,#28 X 3/8,RUB CUSH*.....	2
		<i>includes items 2-4, 8 and 27; to SN 3348</i>		25	42941	HOSE,3/8",FUEL,30R7 GM models	
--	101855	TANK,HYD,45 GALLON ASSY W/DEC		--	20973	WIRE LOOM,3/8 POLY SLIT	
		<i>includes items 2-4, 8, 14 and 27; from SN 3908</i>		--	71909	HOSE,FUEL,5/16 HIGH PRESSURE** Ford models	
--	58211	HYDRAULIC TANK ASSY,S40/80***		26	21465	CLAMP,HOSE,SIZE .25 TO .63.....	3
		<i>includes items 2-4, 8 and 27; from SN 3349 to SN 3907</i>		27	77536	PUMP,FUEL GM 3.0 ENG. C282-238.....	1
6	73767	ELBOW,140239-16-16.....	1	--	77219	PUMP, FUEL, LRG425, WALBRO from SN 3833	
7	49729	ADAPTER,SAE-16,1 FPT.....	1	28	42941	HOSE,3/8",FUEL,30R7 GM models	
8	73768	CONN,090136-20-16.....	1	29	65626	FILTER-FUEL, GM 3.0L ENGINE.....	1
9	60508	FILTER,RETURN,ASSY 10 MICRON.....	1	--	52179	FILTER, FUEL LRG 425/423 EFI to SN 3832	
--	52768	GAUGE,MED.PRESSUR FILTER,50530		30	81147P	FORMING,TANK TRAY PAINTED....	1
--	61326	FILTER ELEMENT,10 MICRON,60508		31	31507	PLUG,SQUARE HEAD,3/4 MPT.....	1
10	73769	CONN,520120-16-20.....	1	--	94612	PLUG,MAGNETIC,SAE-6*** from SN 3908	
11	48922	CONN,520102-6-6.....	1	32	6889	NUT,LP NYLOCK,1/4-20	
--	48916	FITTING,CONN,520120-6 from SN 3908		33	6638	WASHER,FLAT,USS,1/4"Y	
12	45161	STRAINER ASSEMBLY,1.5" NPT.....	1	34	6888	SCREW,HHC,1/4-20 X 1	
--	101490	STRAINER,16 SAE F/24 SAE M from SN 3908		35	94077	SENSOR,LEVEL,4.5 DEG.....	1
13	48996	VALVE,BALL,16 MSAE-16 FSAE***.....	1	36	42941	HOSE,3/8",FUEL,30R7 GM models	
14	61263	UNION,STR.THREAD 20.....	1	--	71909	HOSE,FUEL,5/16 HIGH PRESSURE** Ford models	
15	101494	VALVE,BALL,FSAE-20,FSAE-20.....	1	37	27901	HOSE END,BARBED,RIGID,-6-6.....	1
16	25967	HOSE ASSEMBLY,LP GAS-86" LNG**.....	1	38	8178	SCREW,HHC,3/8-16 X 2.5	
17	53605	TANK, LP, 7 GAL.....	1	39	6097	WASHER,FLAT,USS,3/8",Y	
18	45161	STRAINER ASSEMBLY,1.5" NPT.....	1	40	77804	FUEL TANK,H/D PLASTIC W/DECAL.....	1
--	101491	STRAINER,20 SAE F/24 SAE M from SN 3908		41	101727	CAP,FUEL,GAS,1/8"VENT(RED).....	1

301.1 Hydraulic and Fuel Tanks - Gasoline/LPG Models (to SN 5380)  
 (continued)

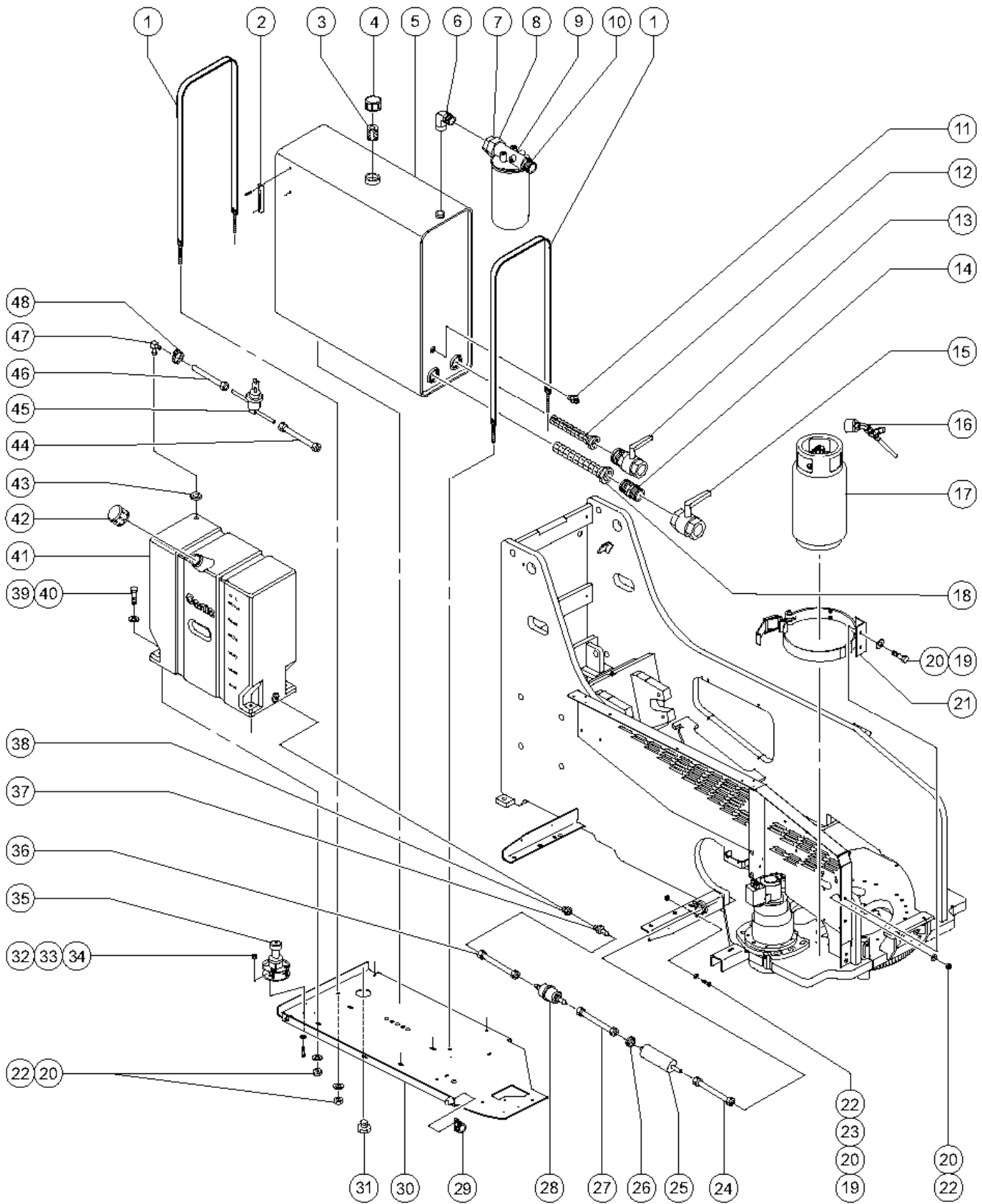
Item	Part No.	Description	Qty.
42	61240	BUSHING,FUEL TANK FITTING (SM).....	1
43	88090	FUEL RETURN,DAPCO 5/16".....	1
44	27089	HOSE,5/16 FUEL,SAE 30R7 <i>GM models</i>	
--	27089	HOSE,5/16 FUEL,SAE 30R7 <i>Ford models</i>	

---

301.1 Hydraulic and Fuel Tanks - Gasoline/LPG Models (to SN 5380)  
(continued)

***This Page Intentionally Left Blank***

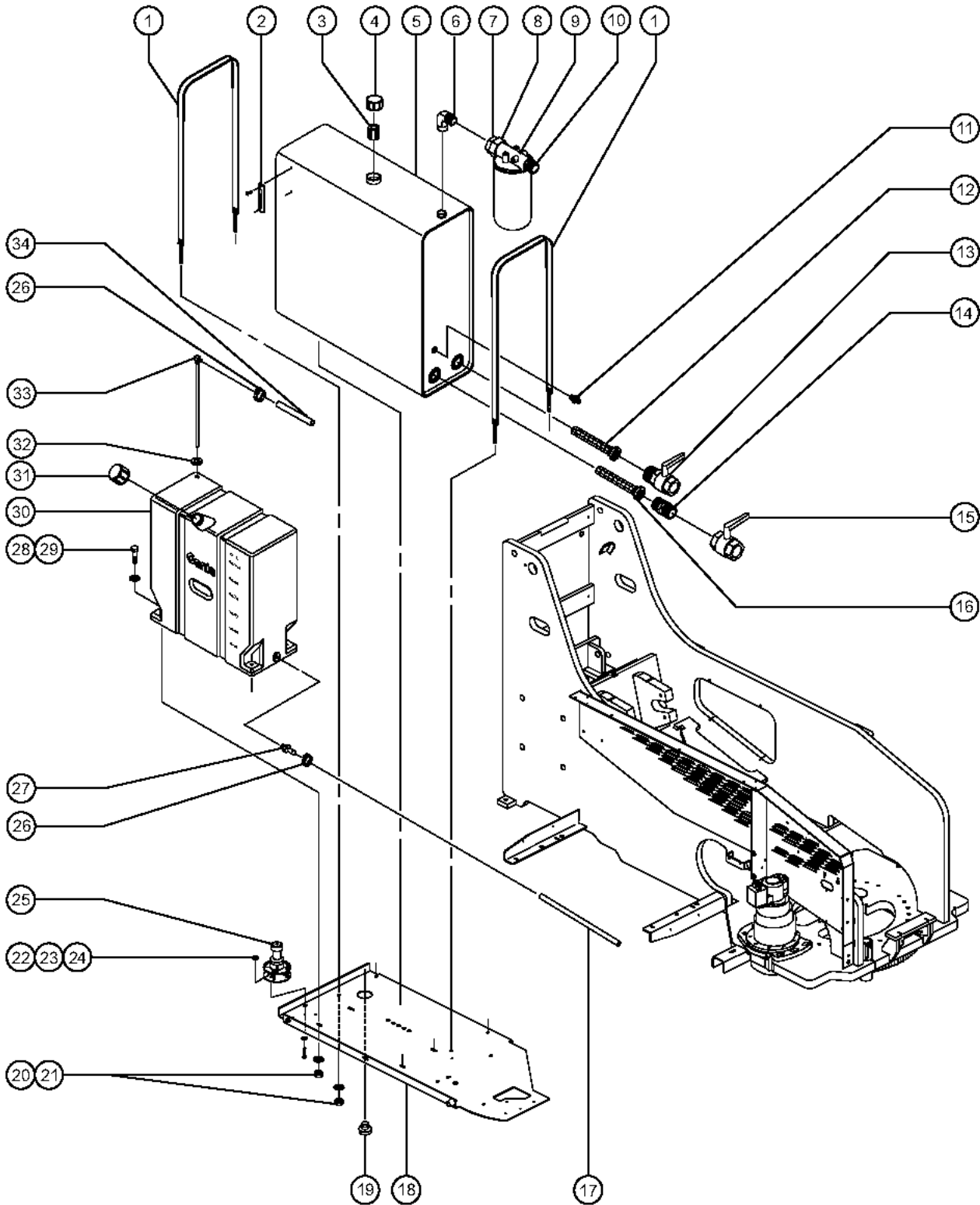
301.2 Hydraulic and Fuel Tanks - Gasoline/LPG Models (from SN 5381)



301.2 Hydraulic and Fuel Tanks - Gasoline/LPG Models (from SN 5381)

Item	Part No.	Description	Qty.	Item	Part No.	Description	Qty.
--	20973	WIRE LOOM,3/8 POLY SLIT		27	111817-3200	HOSE ASSY,SAE J2260/J2044,2END.....	1
1	31524	STRAP ASSY,TANK, 66 INCH.....	2	28	111797	FILTER, GAS, SAE J2044 FITTING.....	1
--	31658	EXTRUSION,RUBBER BUMPER STRIP		29	66031	CLAMP,1.88,#30 X 3/8,RUB CUSH.....	1
2	21141	GAUGE-SIGHT,LHA-LGTB*** .....	1	30	81147P	FORMING,TANK TRAY PAINTED....	1
3	31506	STRAINER,FILLER NECK.....	1	31	94612	PLUG,MAGNETIC,SAE-6*** .....	1
4	53527	CAP,FILLER BREATHER,3 MICRON** .....	1	32	6889	NUT,LP NYLOCK,1/4-20	
5	101855	TANK,HYD,45 GALLON ASSY W/DEC..... <i>includes items 2-4, 8, and 14</i>	1	33	6638	WASHER,FLAT,USS,1/4"Y	
6	73767	ELBOW,140239-16-16.....	1	34	6888	SCREW,HHC,1/4-20 X 1	
7	49729	ADAPTER,SAE-16,1 FPT.....	1	35	94077	SENSOR,LEVEL,4.5 DEG.....	1
8	73768	CONN,090136-20-16.....	1	36	111817-0500	HOSE ASSY,SAE 2260/J2044,2END.....	1
9	60508	FILTER,RETURN,ASSY 10 MICRON.....	1	37	111818	FITTING,1/4 NPT X SAE J2044.....	1
--	52768	GAUGE,MED.PRESSUR FILTER,50530		38	106033	ADAPTER,NPT 6-4.....	1
--	61326	FILTER ELEMENT,10 MICRON,60508		39	8178	SCREW,HHC,3/8-16 X 2.5	
10	73769	CONN,520120-16-20.....	1	40	6097	WASHER,FLAT,USS,3/8",Y	
11	48922	CONN,520102-6-6.....	1	41	77804	FUEL TANK,H/D PLASTIC W/DECAL.....	1
12	101490	STRAINER,16 SAE F/24 SAE M.....	1	42	101727	CAP,FUEL,GAS,1/8"VENT(RED)....	1
13	48996	VALVE,BALL,16 MSAE-16 FSAE*** .....	1	43	61240	BUSHING,FUEL TANK FITTING (SM).....	1
14	61263	UNION,STR.THREAD 20.....	1	44	111817-3600	HOSE ASSY,SAE J2260/J2044,2END.....	1
15	101494	VALVE,BALL,FSAE-20,FSAE-20.....	1	45		Ref. Fuel Pressure Regulator (refer to 420.1)	
16	25967	HOSE ASSEMBLY,LP GAS-86" LNG** .....	1	46	111817-13600	Hose Assembly - Components: Genie part numbers 111819, 119492 and 71909 @ 135 inches.....	1
17	53605	TANK, LP, 7 GAL.....	1	47	88090	FUEL RETURN,DAPCO 5/16".....	1
18	101491	STRAINER,20 SAE F/24 SAE M.....	1	48	21465	CLAMP,HOSE,SIZE .25 TO .63.....	3
19	6019	SCREW,HHC,3/8-16 X 1.25 GRD 5					
20	5397	WASHER,FLAT,USS,5/16",Y					
21	53120-S	LP.TANK BRACKET TALL W/LDMNT.....	1				
22	4828	NUT,NYLOCK,3/8-16					
23	61745	CLAMP,2.25,#36 X 3/8,RUB CUSH.....	1				
24	111817-8000	HOSE ASSY,SAE J2260/J2044,2END.....	1				
25	111915	FUEL PUMP,TME 2.7L ENGINE.....	1				
26	60584	GROMMET,RUBBER .75 X .19 X 1** .....	1				

302.1 Hydraulic and Fuel Tanks - Diesel Models

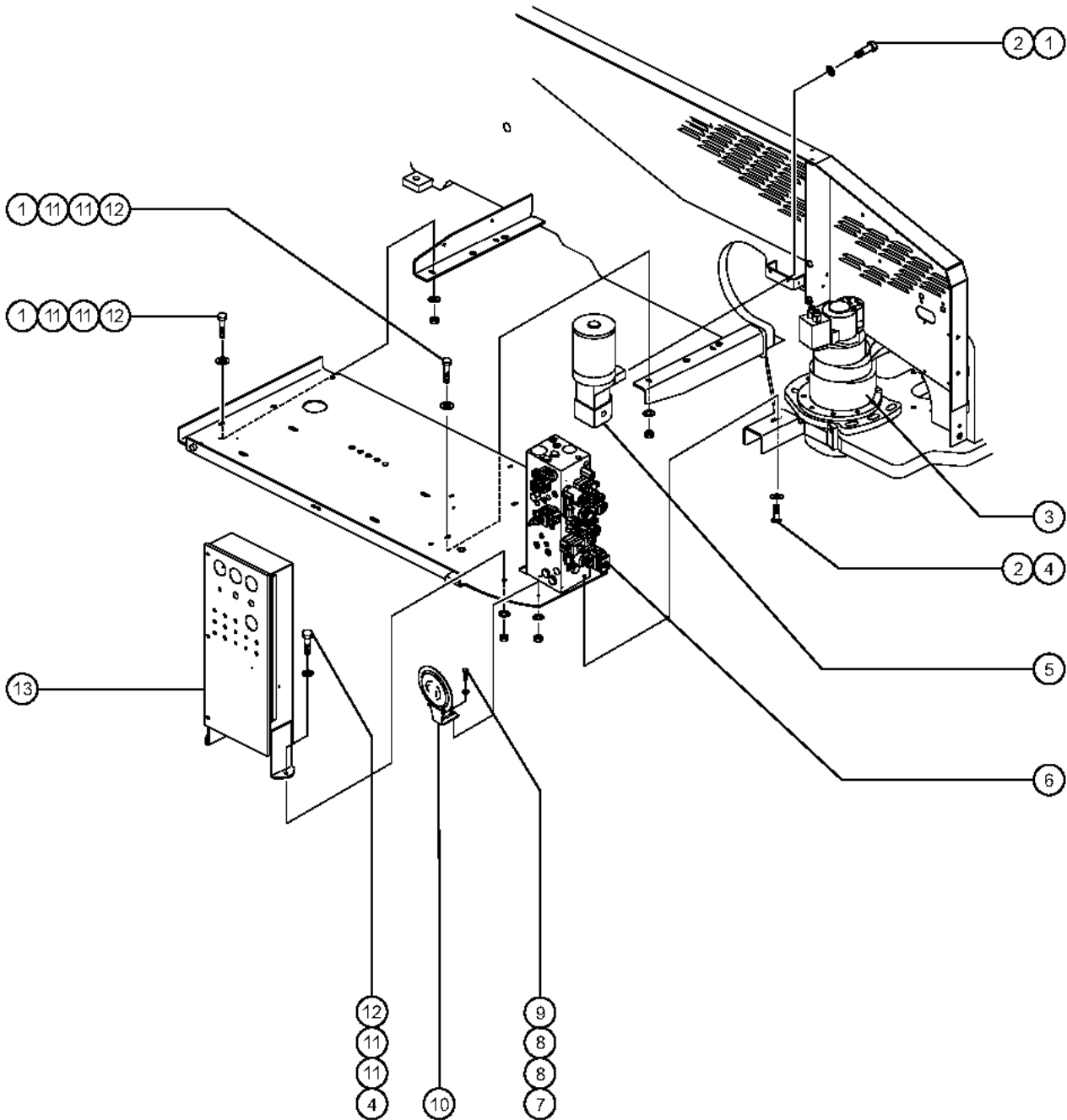




302.1 Hydraulic and Fuel Tanks - Diesel Models

Item	Part No.	Description	Qty.	Item	Part No.	Description	Qty.
1	31524	STRAP ASSY,TANK, 66 INCH.....	2	23	6638	WASHER,FLAT,USS,1/4"Y	
--	31658	EXTRUSION,RUBBER BUMPER STRIP		24	6888	SCREW,HHC,1/4-20 X 1	
2	21141	GAUGE-SIGHT,LHA-LGTB***.....	1	25	94077	SENSOR,LEVEL,4.5 DEG.....1 <i>USA/Canada/ Australia models</i>	
3	31506	STRAINER,FILLER NECK.....	1	--	110382	LEVEL SENSOR,LS60,YL,2.5X4.5 <i>European models</i>	
4	53527	CAP,FILLER BREATHER,3 MICRON**.....	1	26	21465	CLAMP,HOSE,SIZE .25 TO .63.....	2
5		Ref. Hydraulic Tank Assembly, (refer to 301.1)		27	27901	HOSE END,BARBED,RIGID,-6-6.....	1
6	73767	ELBOW,140239-16-16.....	1	28	8178	SCREW,HHC,3/8-16 X 2.5	
7	49729	ADAPTER,SAE-16,1 FPT.....	1	29	6097	WASHER,FLAT,USS,3/8",Y	
8	73768	CONN,090136-20-16.....	1	30		Ref. Fuel Tank Assembly with Decal, (refer to 301.1)	
9	60508	FILTER,RETURN,ASSY 10 MICRON.....	1	31	101726	CAP,FUEL,DIESEL,1/8"VENT(GRN).1	
--	52768	GAUGE,MED.PRESSUR FILTER,50530		32	61240	BUSHING,FUEL TANK FITTING (SM).....	1
--	61326	FILTER ELEMENT,10 MICRON,60508		33	88091	FUEL RETURN,DAPCO 1/4".....1 <i>to SN 3737</i>	
10	73769	CONN,520120-16-20.....	1	--	102106	FUEL RETURN,DAPCO 5/16" <i>from SN 3738</i>	
11	48922	CONN,520102-6-6.....	1	34	35418	HOSE,FUEL,3/16,SAE 30R7	
--	48916	FITTING,CONN,520120-6 <i>from SN 3908</i>		--	27089	HOSE,5/16 FUEL,SAE 30R7	
12	45161	STRAINER ASSEMBLY,1.5" NPT.....1 <i>to SN 3907</i>		--	30490	HOSE,1/4 FUEL LINE,SAE 30R7	
--	101490	STRAINER,16 SAE F/24 SAE M <i>from SN 3908</i>					
13	48996	VALVE,BALL,16 MSAE-16 FSAE***.....	1				
14	61263	UNION,STR.THREAD 20.....	1				
15	101494	VALVE,BALL,FSAE-20,FSAE-20.....	1				
16	45161	STRAINER ASSEMBLY,1.5" NPT.....1 <i>to SN 3907</i>					
--	101491	STRAINER,20 SAE F/24 SAE M <i>from SN 3908</i>					
17	42941	HOSE,3/8",FUEL,30R7					
--	27089	HOSE,5/16 FUEL,SAE 30R7 <i>from SN 5164</i>					
--	42941	HOSE,3/8",FUEL,30R7					
18	81147P	FORMING,TANK TRAY PAINTED....	1				
19		Ref. Drain Plug (refer to 301.1)					
20	4828	NUT,NYLOCK,3/8-16					
21	5397	WASHER,FLAT,USS,5/16",Y					
22	6889	NUT,LP NYLOCK,1/4-20					

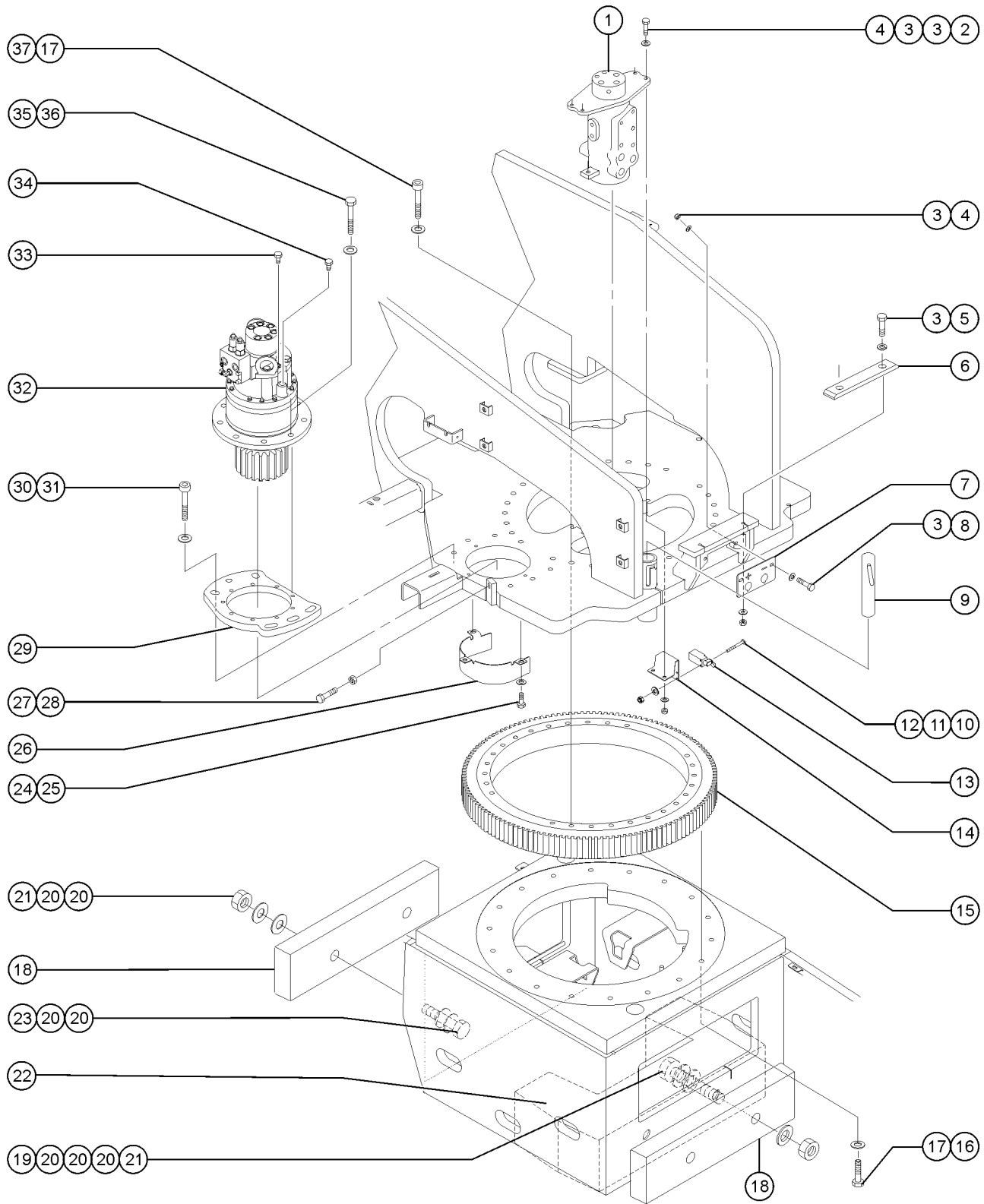
303.1 Function Manifold and Auxiliary Power Unit Installation



## 303.1 Function Manifold and Auxiliary Power Unit Installation

Item	Part No.	Description	Qty.
1	6019	SCREW,HHC,3/8-16 X 1.25 GRD 5	
2	6021	WASHER,LOCK, .375	
3		Ref. Turntable Rotator (refer to 304.1)	
4	6175	SCREW,HHC,3/8-16 X 1	
5	89617	POWER UNIT,AUX PUMP 12VDC.....1 <i>complete, replaced 81071</i>	
--	147289	SEAL KIT, APU <i>use with APU 89617</i>	
--	147290	SHAFT SEAL, APU <i>use with APU 89617</i>	
--	37187	SEAL KIT, 37185 PUMP <i>use with 81071</i>	
--	37192	COUPLER, PUMP / MOTOR (36179) <i>use with 81071</i>	
--	58489	PUMP ASSY,AUX.POWER UNIT 89617 <i>use with APU 89617</i>	
--	62268	PUMP, AUX. POWER UNIT <i>use with APU 81071</i>	
--	62414	SEAL, SHAFT, 60511 APU <i>use with 81071</i>	
--	77069	MOTOR,12VDC,77066 <i>use with 81071 and 89617</i>	
--	77071	SOLENOID,77066 <i>use with 81071 and 89617</i>	
6		Ref. Function and Dump Manifold Assembly (refer to 704.1 or 705.1)	
7	6888	SCREW,HHC,1/4-20 X 1	
8	6638	WASHER,FLAT,USS,1/4"Y	
9	6091	NUT,NYLOCK,1/4-20	
10	81578	HORN,12VDC,SPADE TERMINALS*** .....1	
11	6097	WASHER,FLAT,USS,3/8",Y	
12	4828	NUT,NYLOCK,3/8-16	
13		Ref. Ground Control Box Assembly (refer to 305.1 or 306.1)	

304.1 Turntable Rotator and Hydraulic Rotary Coupler Installation



304.1 Turntable Rotator and Hydraulic Rotary Coupler Installation

Item	Part No.	Description	Qty.	Item	Part No.	Description	Qty.
1	81384	SWIVEL, HYDRAULIC, 10 PORT.....	1	29	81516	PLATE, BACKLASH ADJ. MACHINED.....	1
--	77520	SEAL KIT, SWIVEL (81384)		30	88212	SCREW, SHC, 3/4-10 X 3.00, A574....	6
2	6605	SCREW, HHC, 3/8-16 X 3.5, GR5		31	33278	WASHER, FLAT, .75 HARDENED	
3	6097	WASHER, FLAT, USS, 3/8", Y		32A	139189	SWING DRIVE ASSEMBLY <i>complete (from SN 8238), swing drive 139189 can be installed as a direct replacement of previous swing drive 88921 or 81367</i>	
4	4828	NUT, NYLOCK, 3/8-16		--	139308	SWING MOTOR COMPLETE*** <i>use with swing drive 139189</i>	
5	35714	SCREW, FHS, 3/8-16 X 2.25		--	139309	CBV ASSEMBLY <i>use with swing drive 139189</i>	
6	41549	PAD, BOOM REST.....	1	--	139310	BRAKE TUBING <i>use with swing drive 139189</i>	
7	81645	BRACKET, WELD LEADS.....	1	--	139311	KIT, FRICTION DISC*** <i>use with swing drive 139189</i>	
8	13918	SCREW, HHC, 3/8-16 X 1.75, GRD.8.....	2	--	139312	KIT, BRAKE SPRING*** <i>use with swing drive 139189</i>	
9	81643	PIN, 1.75 DIA X 9.00 LG. GES1362...	1	--	139313	SEAL KIT, SWING BRAKE*** <i>use with swing drive 139189</i>	
--	61223	PIN, TRANSPORT STORAGE HANDLE		--	139314	KIT, SWING BRAKE REBUILD*** <i>use with swing drive 139189</i>	
10	49775	SCREW, PHILLIPS, PHM, 10-32 X 1.75		--	139315	O-RING, MOTOR/BRAKE*** <i>use with swing drive 139189</i>	
11	6146	WASHER, FLAT, MS, #10, Y		--	139323	VALVE, COUNTERBAL, CBCA-LIN*** <i>use with swing drive 139189</i>	
12	6178	NUT, NYLOCK, 10-32		--	58304	SHAFT, OUTPUT <i>use with swing drive 139189 or 88921</i>	
13	88356-31163	SWITCH, LIMIT, W/R/R***.....	1	--	83124	DRAIN PLUG <i>(side) use with swing drive 139189</i>	
--	97128	ROLLER ARM, LIMIT SWITCH***		--	58387	O-RING, MOTOR/BRAKE (88921)*** <i>use with swing drive 88921; from SN 3582</i>	
--	97232	CONTACTOR-LIMIT SWITCH		--	58596	BEARING KIT (88921) <i>use with swing drive 88921; from SN 3582</i>	
14	81480P	FORMING, DRIVE ENABLE SWITCH.....	1	--	58597	BEARING KIT (88921) <i>use with swing drive 88921; from SN 3582</i>	
15	30895	BEARING, TURNTABLE.....	1	--	94621	SWING MOTOR, COMPLETE*** <i>use with swing drive 88921; from SN 3582</i>	
--	227785	BEARING TURNTABLE SEAL ***		--	94622	BRAKE PORT HARDLINE <i>use with swing drive 88921; from SN 3582</i>	
16	20654	SCREW, SHC, 5/8-11 X 3.50, A574.....	18				
17	13064	WASHER, FLAT, .625 HARDENED.....	48				
18	35925	COUNTERWEIGHT CASTING S85 JIB.....	2				
		(S-85)					
19	22511	SCREW, HHC, 1-8 X 15 GRD.2					
20	38859	WASHER, FLAT, USS, 1", Y					
21	29764	NUT, NYLOCK, 1-8.....	4				
22	34767	CASTING, DRV. CHAS. COUNTERWEIGHT.1 (S-85)					
23	34079	SCREW, HHC, 1-8 X 8.5 GRD.2					
24	10587	SCREW, HHC, 1/2-13 X.75					
25	6033	WASHER, LOCK, 0.5"					
26	81986	COVER, ROTATION GEAR.....	1				
27	61128	SCREW, HHC, 3/4-10 X 4 FULL THRD					
28	6126	NUT, HEX, JAM, 3/4-10					

304.1 Turntable Rotator and Hydraulic Rotary Coupler Installation  
(continued)

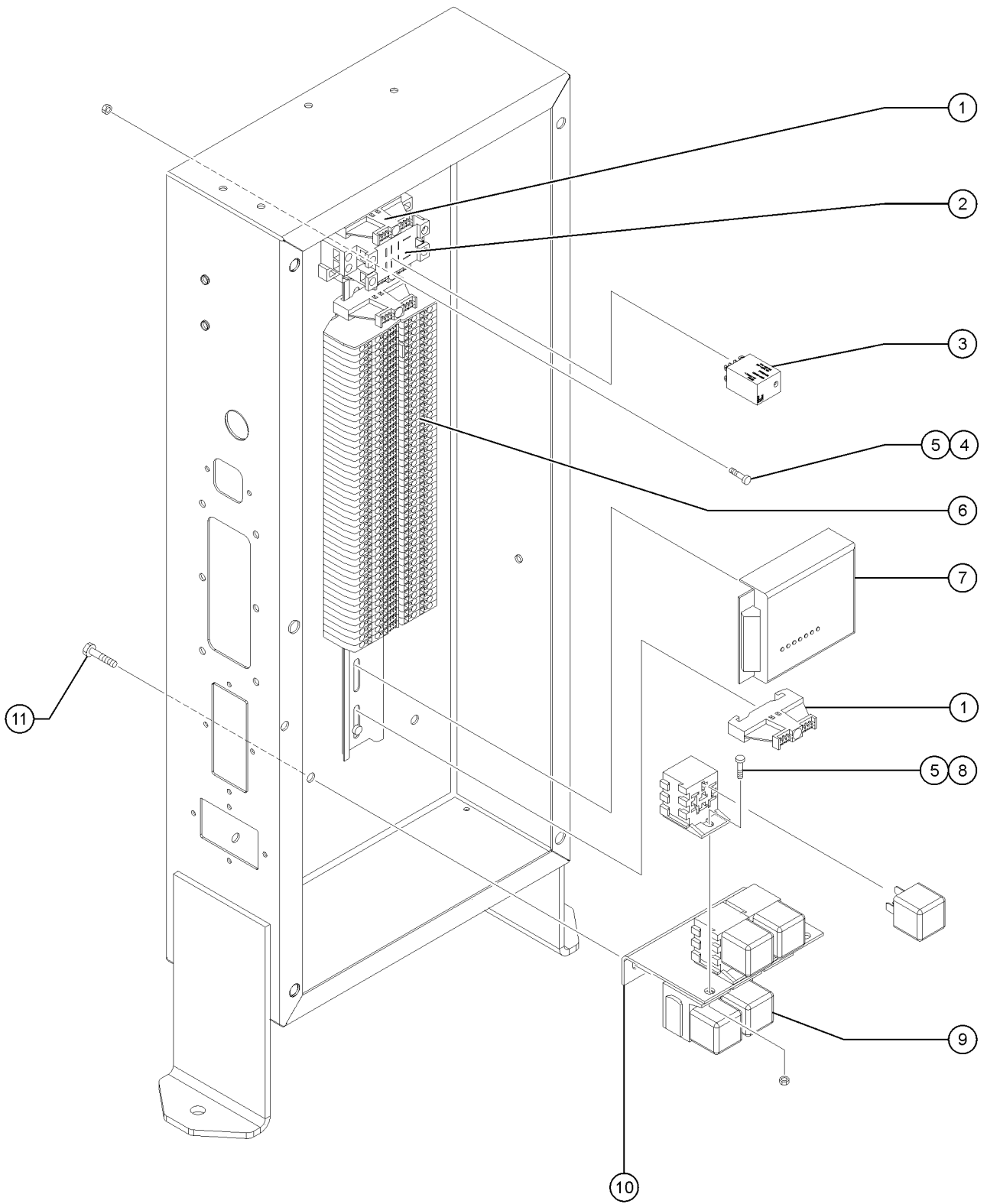
Item	Part No.	Description	Qty.	Item	Part No.	Description	Qty.
--	94623	KIT, FRICTION DISC <i>use with swing drive 88921; from SN 3582</i>		37	45495	SCREW, SHC, 5/8-11 X 3.00, A574.....	30
--	94624	KIT, BRAKE SPRING <i>use with swing drive 88921; from SN 3582</i>					
--	94625	SEAL KIT, SWING BRAKE <i>use with swing drive 88921; from SN 3582</i>					
--	94626	KIT, SWING BRAKE REBUILD <i>use with swing drive 88921; from SN 3582</i>					
--	53999	MOTOR, TURNTABLE ROTATE** <i>use with swing drive part 81367, to SN 3581</i>					
--	65616	SEAL KIT PWR WHL MOTOR <i>use with swing motor 94621 or 53999</i>					
--	65618	SEAL KIT, BRAKE*** <i>use with swing drive part 81367, to SN 3581</i>					
--	81331	BRAKE, 900 IN*LB <i>use with swing drive part 81367, to SN 3581</i>					
--	21148	WASHER, THRUST, TORQUE HUB <i>use with swing drive 139189, 88921 or 81367</i>					
--	29290	SEAL KIT, FAIRFIELD (S1A2)*** <i>does not include thrust washer part 21148, use with swing drive 139189, 88921 or 81367</i>					
--	41489	SCREW, SHC, 5/16-18 X 2, PLATED <i>manifold to motor</i>					
--	45483	VALVE, SHUTTLE*** <i>use with swing drive 88921 or 81367</i>					
--	6886	WASHER, LOCK, .313 <i>manifold to motor</i>					
--	81366	MANIFOLD, SWING CB & BRAKE <i>use with swing drive 88921 or 81367</i>					
--	83009	VALVE, COUNTERBALANCE(81366)*** <i>use with swing drive 88921 or 81367</i>					
33	39882	PLUG, HEX SOCKET, 090109B-4 <i>use with swing drive 88921 (top plug)</i>					
34	109802	PLUG, STEEL SOCKET, SAE090109B-6 <i>use with swing drive 88921</i>					
35	54177	SCREW, HHC, 1/2-13 X 1.5 GRD 8...9					
36	13066	WASHER, FLAT, .5 HARDENED					

---

304.1 Turntable Rotator and Hydraulic Rotary Coupler Installation  
(continued)

*This Page Intentionally Left Blank*

305.1 Ground Controls - View 1

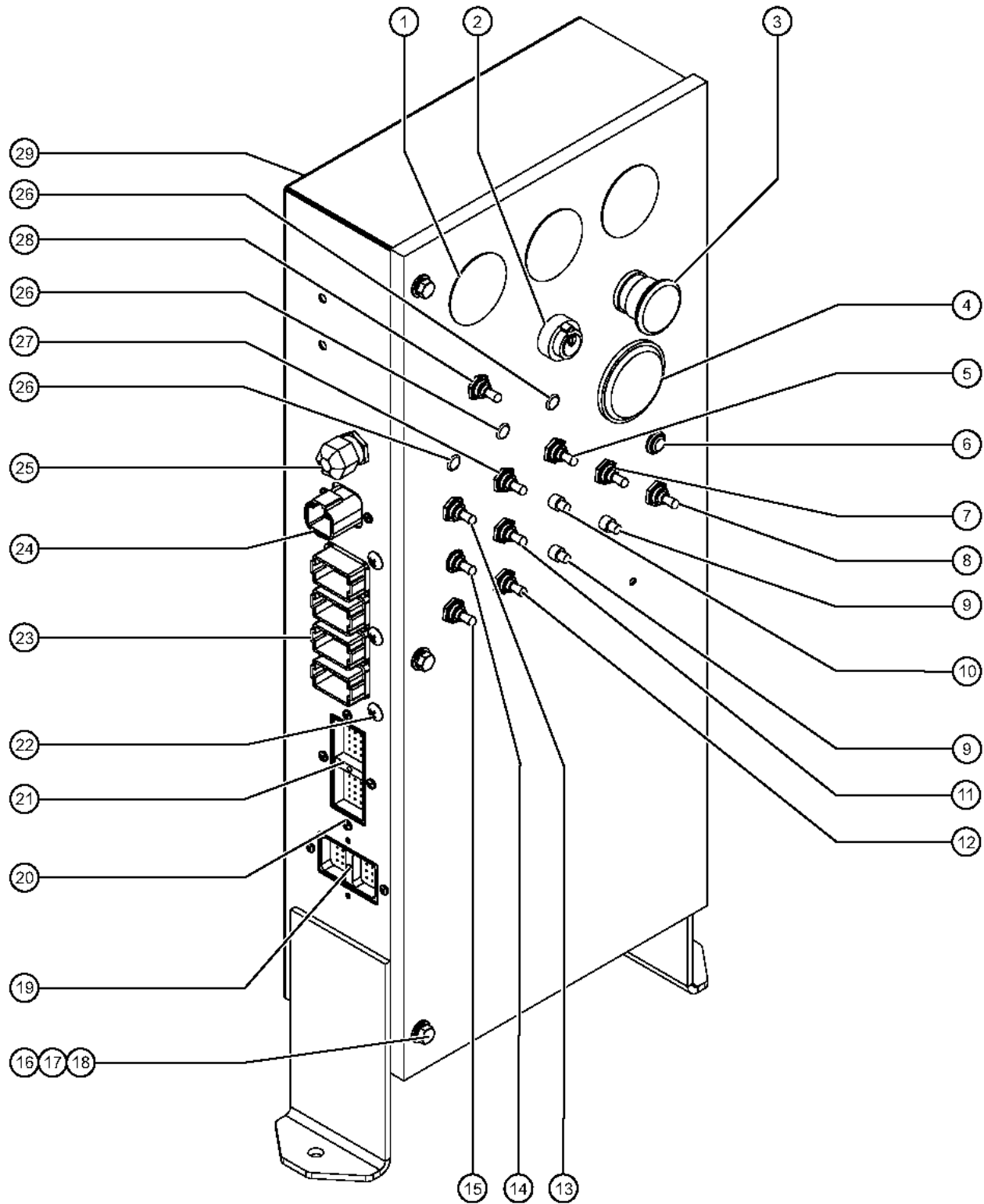




305.1 Ground Controls - View 1

Item	Part No.	Description	Qty.	Item	Part No.	Description	Qty.
--	106637	MODULE,TIME DELAY ON BREAK 4S <i>welder option</i>		--	23404	NUTSERT,1/4-20,STEEL CAD PLTD	
--	88832	HARNESS,PLUG,NON-LOAD WEIGHING		11	6090	SCREW,HHC,1/4-20 X .75	
1	74913	END STOP, DIN RAIL,SCREW CLAMP					
2	33608	RELAY,SOCKET,OMRON <i>welder option</i>					
3	33607	RELAY,OMRON,DPDT,12V <i>welder option</i>					
4	54365	SCREW,PHIL,PHM,10-32 X .5,SSTL					
5	6178	NUT,NYLOCK,10-32					
6	81899	TERMINAL RAIL,GBOX S80/85.....1 <i>includes item 1; to SN 3576</i>					
--	216791	TERMINAL BLOCK,WIELAND					
--	216793	TERMINAL BLOCK END PLATE					
--	33422	DIN RAIL,17"					
--	74920	MARKING TAGS,# 1-10,WIELAND					
--	74921	MARKING TAGS,# 11-20,WIELAND					
--	74922	MARKING TAGS,# 21-30,WIELAND					
--	74923	MARKING TAGS,# 31-40,WIELAND					
--	74924	MARKING TAGS,# 41-50,WIELAND					
--	94450	TERMINAL RAIL,GBOX S80/85 <i>includes item 1; from SN 3577</i>					
--	94538	Number Marking Tags, 131-140 <i>from SN 3577</i>					
7	56057	MODULE,IGNITION/START,12/24V.1					
8	54365	SCREW,PHIL,PHM,10-32 X .5,SSTL					
9	34052	RELAY,SPDT,12V(AUTO) PLUG IN** .....5 <i>GM models; to SN 3832</i>					
--	34052	RELAY,SPDT,12V(AUTO) PLUG IN** .....9 <i>all models; from SN 3833</i>					
--	34053	ASSY,RELAY SOCKET, AUTO					
--	34054	TERM,RELAY N-INSULATED 10-12 G					
--	34055	TERM RELAY,N-INSULATE 14-16 GA					
--	34056	TERM,RELAY,N-INSULATE 18-20 GA					
10	54534	ANGLE,RELAY MNT,W/NUTSERTS,PNT .....1					

306.1 Ground Controls - View 2



306.1 Ground Controls - View 2

Item	Part No.	Description	Qty.	Item	Part No.	Description	Qty.
--	122208	HARNES,BOOM ANG/RET LIMIT,S80		8	128200	SWITCH TOGGLE ASSY SPDT 3P MOM.....	1
--	128578	SCREW T-SWITCH PH/PH 6-32X1/4		9	147094	ASSY, CIRCUIT BREAKER 15A....	1
--	27246	BOOT,TOGGLE SWITCH,SHORT*		10	147095	ASSY, CIRCUIT BREAKER 20A....	1
--	81533	HARNES,GROUND BOX WIRING <i>to SN 3576</i>		11	128200	SWITCH TOGGLE ASSY SPDT 3P MOM.....	1
--	81560	HARNES,GBOX,FUNCTION MANIFOLD		11	229567	PLUG, SANTOPRENE .5 BLACK DOME	
--	81879	HARNES,#12AWG GND GBOT TO APU		12	128200	SWITCH TOGGLE ASSY SPDT 3P MOM.....	1
--	94680	HARNES,GROUND BOX WIRING <i>from SN 3577</i>		13	128202	SWITCH TOGGLE ASSY DPDT 3P MOM.....	1
1	81900	PLUG,NYLON 2.093 BLACK DOMED.....	3	14	128202	SWITCH TOGGLE ASSY DPDT 3P MOM.....	1
2	96008-S	KEYSWITCH,3 POS.W/KEYS*** <i>includes 1 pair of keys</i>	1	15	128202	SWITCH TOGGLE ASSY DPDT 3P MOM.....	1
--	19268	DIODE ASSEMBLY		16	6090	SCREW,HHC,1/4-20 X .75	
--	37947	KEYS,10 PACK***		17	6356	WASHER,LOCK,,25	
--	83093	KEY SINGLE***		18	6638	WASHER,FLAT,USS,1/4"Y	
3	66812	BUTTON,PUSH,RED MUSHROOM HEAD.....	1	19	73753	CONN,RECEP 24 WAY,W/FLANGE.....	1
--	146478	BOOT(BELLOWS),E-STOP,BLACK		20	49820	SCREW,PHILLIPS,PHM,6-32 X .5	
--	66818	CONTACT,NC		--	12344	NUT,NYLOCK,6-32	
--	73805	BASE,W/2 NC CONTACTS*** <i>includes N.C. contacts</i>		21	73754	CONN,RECEP 40 WAY,W/FLANGE.....	1
4	19506	HOUR METER,10-80 VOLTS*** <i>includes mounting bracket</i>	1	22	73803	SCREW,SHM,PHP, #12 X .75	
5	128204	SWITCH TOGGLE ASSY SPDT 2P MNT..... <i>Ford models</i>	1	23	73736	CONN,RECEP 48 WAY,4 X 12.....	1
--	229567	PLUG, SANTOPRENE .5 BLACK DOME <i>diesel models</i>		24	73717	CONN,RECEP 4 WAY,12-14GA FL***.....	1
6	128200	SWITCH TOGGLE ASSY SPDT 3P MOM..... <i>Deutz models</i>	1	--	60526	LOCK,RECEP 4 WAY,12-14GA	
--	229567	PLUG, SANTOPRENE .5 BLACK DOME <i>Ford models</i>		--	73711	TERM,DEUTSCH, PIN #12-14	
--	824879	LIGHT,LED IND. RED 12V NH <i>Perkins models, (Complete LED light assembly)</i>		25	7056	CONN,SQUEEZE,1/2NPT .38-.50,SM.....	1
7	128200	SWITCH TOGGLE ASSY SPDT 3P MOM.....	1	--	6935	LOCKNUT,ELEC,1/2"	
				26	824879	LIGHT,LED IND. RED 12V NH.....	3
				--			
				27	128200	SWITCH TOGGLE ASSY SPDT 3P MOM.....	1
				28	128201	SWITCH TOGGLE ASSY DPDT 2P MOM.....	1
				29	62271	CONTROL BOX W DECAL,GRND..... <i>to SN 3576</i>	1
				--	102678	CONTROL BOX W DECAL,GRND <i>from SN 3577</i>	

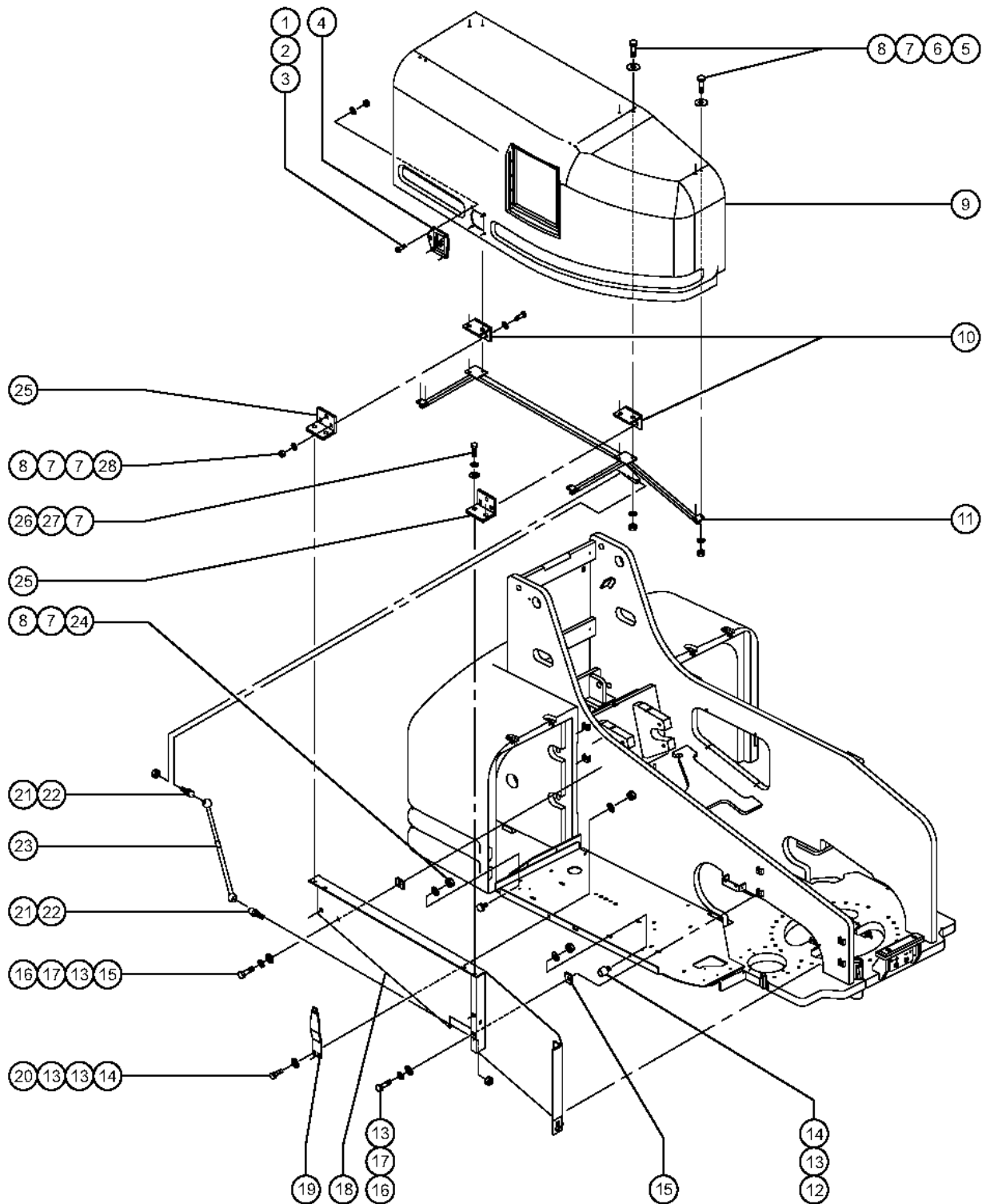


**306.1 Ground Controls - View 2**  
(continued)

<b>Item</b>	<b>Part No.</b>	<b>Description</b>	<b>Qty.</b>
--	121599	GASKET,GBOX,S80/85 2008	
--	23404	NUTSERT,1/4-20,STEEL CAD PLTD	
--	30997	CORROSION INHIBITOR,FOAM	
--	53820	BRACKET, PANEL WIRE MOUNTING	

*This Page Intentionally Left Blank*

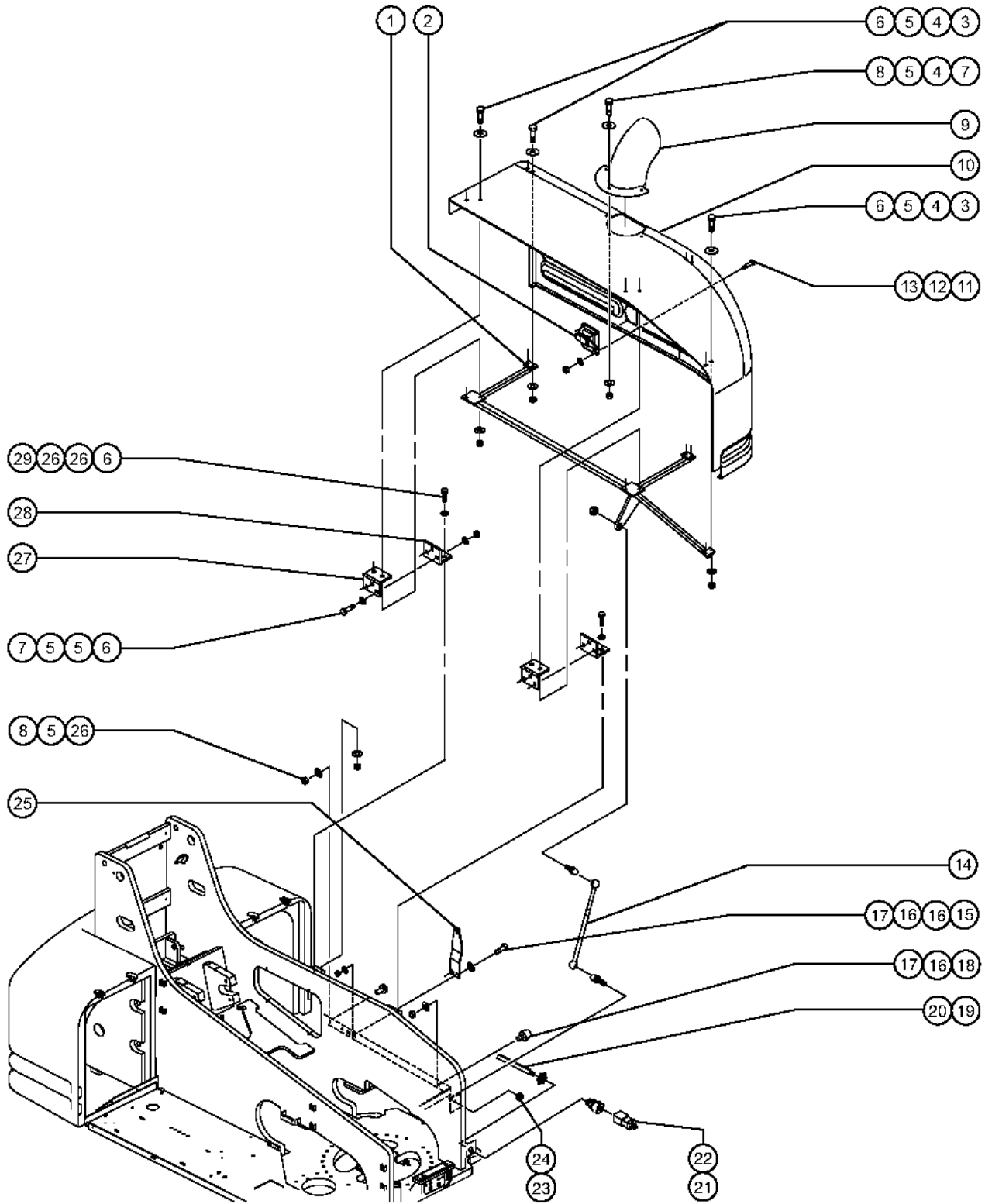
307.1 Turntable Covers - Tank Side



307.1 Turntable Covers - Tank Side

Item	Part No.	Description	Qty.	Item	Part No.	Description	Qty.
1	6178	NUT,NYLOCK,10-32		22	6002	NUT,LP NYLOCK,5/16-18	
2	6146	WASHER,FLAT,MS,#10,Y		23	28301	GAS STRUT,250 LBS FORCE***.....1	
3	49816	SCREW,PHILLIPS,PHM,10-32 X .75		--	27377	RETAINER,GAS SPRING***	
4	53903	LATCH,T-HANDLE,5 SIDED W/KEYS*.....1		24	36388	BUMPER,RUBBER,.75 X .50H,STUD.....1	
--	29314	KEY,LATCH, 1 PAIR (28125)		25	74496P	FORMING,HINGE SUPPORT PAINTED.....2	
5	8915	SCREW,HHC,1/4-20 X 1.25		26	6090	SCREW,HHC,1/4-20 X .75	
6	12906	WASHER,FENDER,.25 X 1.25 X.062		27	6356	WASHER,LOCK,.25	
7	6638	WASHER,FLAT,USS,1/4"Y		28	6888	SCREW,HHC,1/4-20 X 1	
8	6091	NUT,NYLOCK,1/4-20					
9	102455	TURNTBL CVR ASSY W/WORD DECALS.....1 <i>includes items 1-4; to SN 3576</i>					
--	102456	TURNTBL COVER ASSY W/WORD DECA <i>includes items 1-4; from SN 3577 to SN 4666</i>					
--	111354	S80/85 LH COVER ASSY W/WRD DEC <i>includes items 1-4; from SN 4667 to SN 4684</i>					
--	102456	TURNTBL COVER ASSY W/WORD DECA <i>includes items 1-4; from SN 4685 to SN 4702</i>					
--	111354	S80/85 LH COVER ASSY W/WRD DEC <i>includes items 1-4; from SN 4703</i>					
--	102457	TURNTBL COVER ASSY W/SYM DECAL <i>includes items 1-4</i>					
10	75073	HINGE,.375X.120THK.,SLOTTED...2					
11	49532-S	COVER,SUPPORT WELDMENT,LH.....1					
12	30973	BUMPER,RUBBER-1 X 1.25.....1					
13	5397	WASHER,FLAT,USS,5/16",Y					
14	6782	NUT,NYLOCK,5/16-18					
15	29868	SPRING CLIP,3/8-16.....6					
16	6019	SCREW,HHC,3/8-16 X 1.25 GRD 5					
17	6021	WASHER,LOCK,.375					
18	30743-S	COVER SUPPORT WELDMENT LH.....1					
19	49535P	PLATE,LATCH,BLUE,PAINTED.....1					
20	13002	SCREW,HHC,5/16-18 X 1 GR5					
21	33555	BALL STUD**.....2					

308.1 Turntable Covers - Engine Side

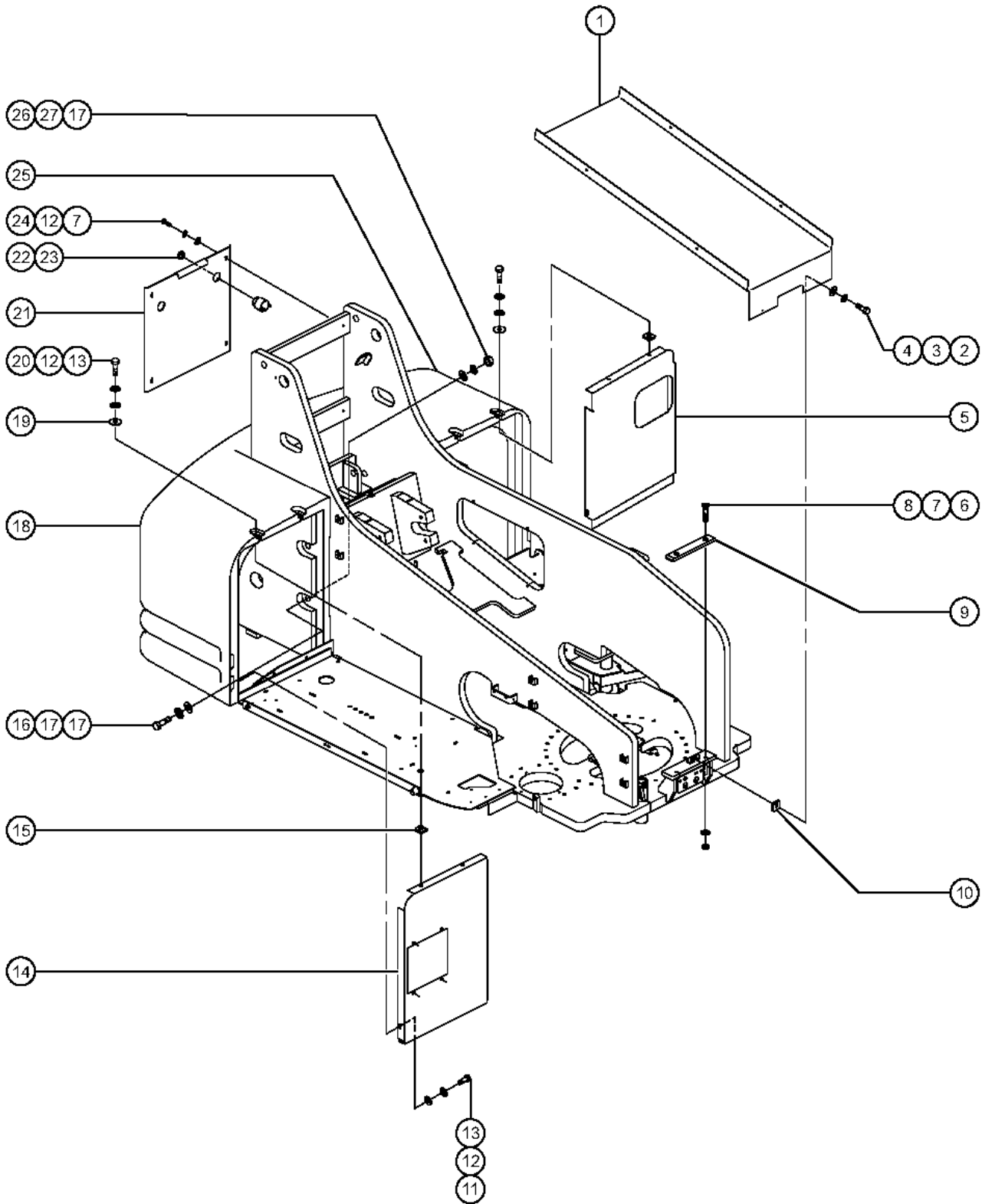




308.1 Turntable Covers - Engine Side

Item	Part No.	Description	Qty.	Item	Part No.	Description	Qty.
1	102740	WELDMENT,TT COVER SUPPORT,RH.....	1	25	49535P	PLATE,LATCH,BLUE,PAINTED.....	1
2	53903	LATCH,T-HANDLE,5 SIDED W/KEYS*.....	2	26	36388	BUMPER,RUBBER,.75 X .50H,STUD.....	1
--	29314	KEY,LATCH, 1 PAIR (28125)		27	75073	HINGE,.375X.120THK.,SLOTTED...2	
3	8915	SCREW,HHC,1/4-20 X 1.25		28	74496P	FORMING,HINGE SUPPORT PAINTED.....	2
4	12906	WASHER,FENDER,.25 X 1.25 X.062		29	6090	SCREW,HHC,1/4-20 X .75	
5	6638	WASHER,FLAT,USS,1/4"Y					
6	6091	NUT,NYLOCK,1/4-20					
7	6888	SCREW,HHC,1/4-20 X 1					
8	6091	NUT,NYLOCK,1/4-20					
9	101964	WELDMENT,EXHAUST TUBE.....	1				
10	102458	TURN TBL COVER ASSY W/WRD DECAL.....	1				
		<i>includes items 2 and 11-13</i>					
--	102939	TURN TBL COVER ASSY W/SYM DECAL					
		<i>includes items 2 and 11-13</i>					
11	49816	SCREW,PHILLIPS,PHM,10-32 X .75					
12	6146	WASHER,FLAT,MS,#10,Y					
13	6178	NUT,NYLOCK,10-32					
14	28301	GAS STRUT,250 LBS FORCE***.....	1				
--	27377	RETAINER,GAS SPRING***					
15	13002	SCREW,HHC,5/16-18 X 1 GR5					
16	5397	WASHER,FLAT,USS,5/16",Y					
17	6782	NUT,NYLOCK,5/16-18					
18	30973	BUMPER,RUBBER-1 X 1.25.....	1				
19	30794	WIRE,12/3 SJEOW,BULK,BLK-WHT-G.1260-inches					
20	6935	LOCKNUT,ELEC,1/2".....	1				
21	6595	PLUG,ELECTRICAL,DOMESTIC.....	1				
--		FUSE,13 AMP,220V PLUG <i>(component no longer available) refer to BS1362 BUSS TDC180-13A</i>					
--	119404	CONN,RECEP 120AC/15A DOMESTIC					
--	144161	PLUG,PWR,UK,16AMP,3PIN,BLK					
--	25388	PLUG,FUSED,250V,13AMP,U.K.**					
--	6666	PLUG,ELECTRICAL,220/50,NOVON					
22	7056	CONN,SQUEEZE,1/2NPT .38-.50,SM.....	1				
23	6002	NUT,LP NYLOCK,5/16-18					
24	33555	BALL STUD**.....	2				

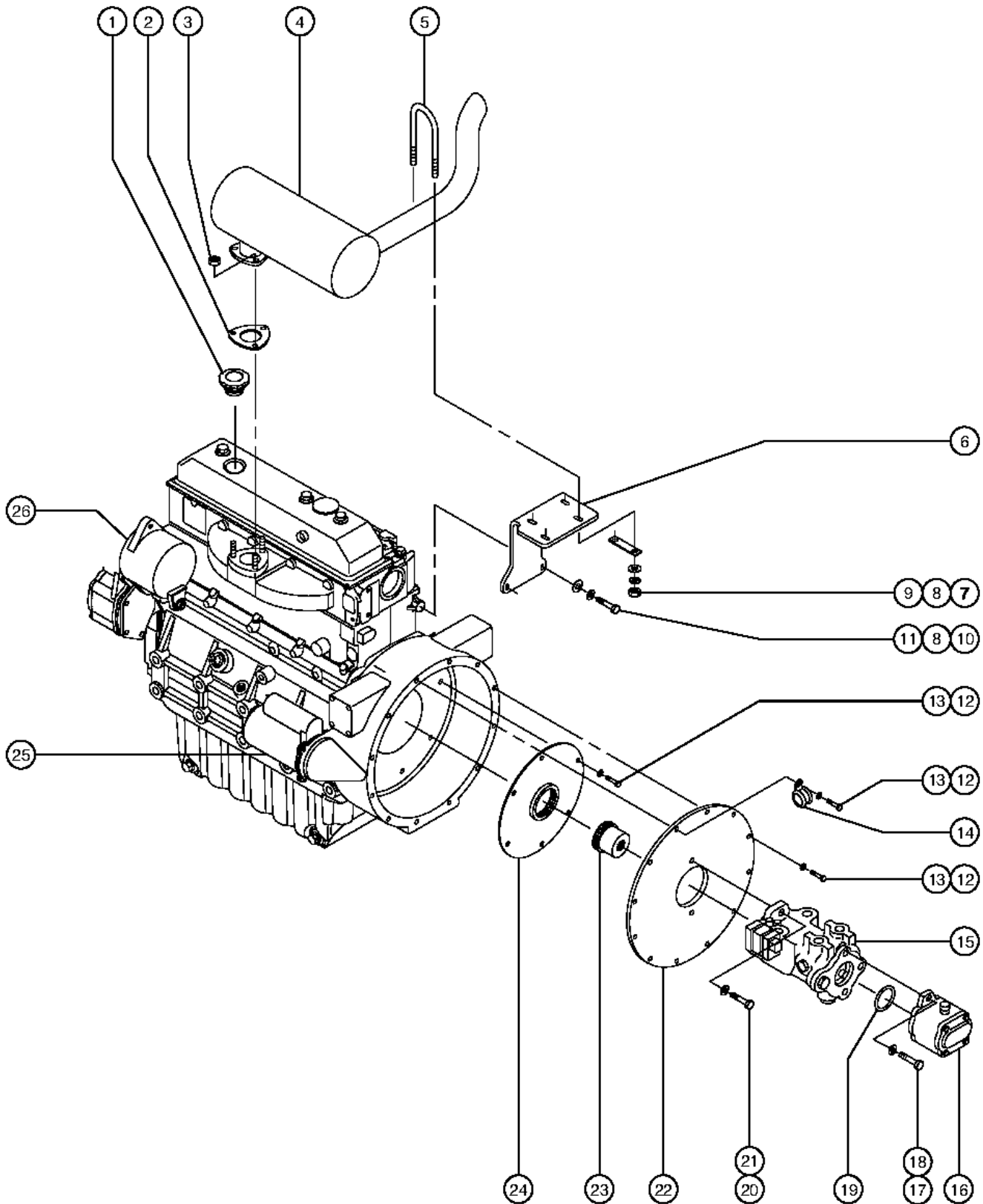
309.1 Turntable Covers



309.1 Turntable Covers

Item	Part No.	Description	Qty.	Item	Part No.	Description	Qty.
1	111386	FORMING,CENTER COVER.....	1	22	72326	NUT - PLASTIC,RING FOR ALARMS.....	1
2	6090	SCREW,HHC,1/4-20 X .75		23	45462	ALARM,CHIME TONE 5-25VDC***.....	1
3	6356	WASHER,LOCK,.,25				<i>Does not include 72326 nut</i>	
4	6638	WASHER,FLAT,USS,1/4"Y		--	122085	HARNES,ALARM,S80/85 from SN 5612	
5	81474	BAFFLE,AIR,DEUTZ 913.....	1	24	8255	SCREW,HHC,3/8-16 X .75	
		<i>Deutz F4L913 models; shown</i>		25	48421	CTWT,CAST,4400 LBS,RH.....	1
--	101623P	BAFFLE,INTAKE,S80 PERKINS,PTD Perkins 804C-33 models		25	48423	CTWT,CAST,4800 LBS,RH	
--	102226	FORMING,INTAKE BAFFLE Deutz BF4L2011 models		26	33265	NUT,HEX,1-8	
--	10222	FORMING,INTAKE BAFFLE Deutz BF4L2011 models		27	29605	WASHER,LOCK,1"	
--	63401	BAFFLE,PERKINS,S60/80 Perkins 704-30 models					
--	70493	FORMING,RAD.BAFFLE,FORD S80 Ford LRG 425 models					
--	81818	BAFFLE,GM 3.0 L GM 3.0L models					
6	35714	SCREW,FHS,3/8-16 X 2.25					
7	6097	WASHER,FLAT,USS,3/8",Y					
8	4828	NUT,NYLOCK,3/8-16					
9	41549	PAD,BOOM REST.....	1				
10	56912	SPRING CLIP,1/4-20,.025-.15X.5.....	6				
11	6175	SCREW,HHC,3/8-16 X 1					
12	6021	WASHER,LOCK,.,375					
13	5397	WASHER,FLAT,USS,5/16",Y					
14		Ref. Tank Side Baffle (refer to 817.1)					
15	29868	SPRING CLIP,3/8-16.....	4				
16	34350	SCREW,HHC,1-8 X 6 GRD.5					
17	38859	WASHER,FLAT,USS,1",Y					
18	48422	CTWT,CAST,4400 LBS,LH.....	1				
18	48424	CTWT,CAST,4800 LBS,LH					
19	6095	WASHER,FLAT,USS,1/2",Y					
20	6708	SCREW,HHC,3/8-16 X 2.25					
21	65613	COVER-TURNTABLE W/DECALS S80.....	1				
21	65614	COVER-TURNTABLE W/DECALS S85					
--	102967	REAR TURNTABLE COVER W/SYM S80					
--	102968	REAR TURNTABLE COVER W/SYM S85					

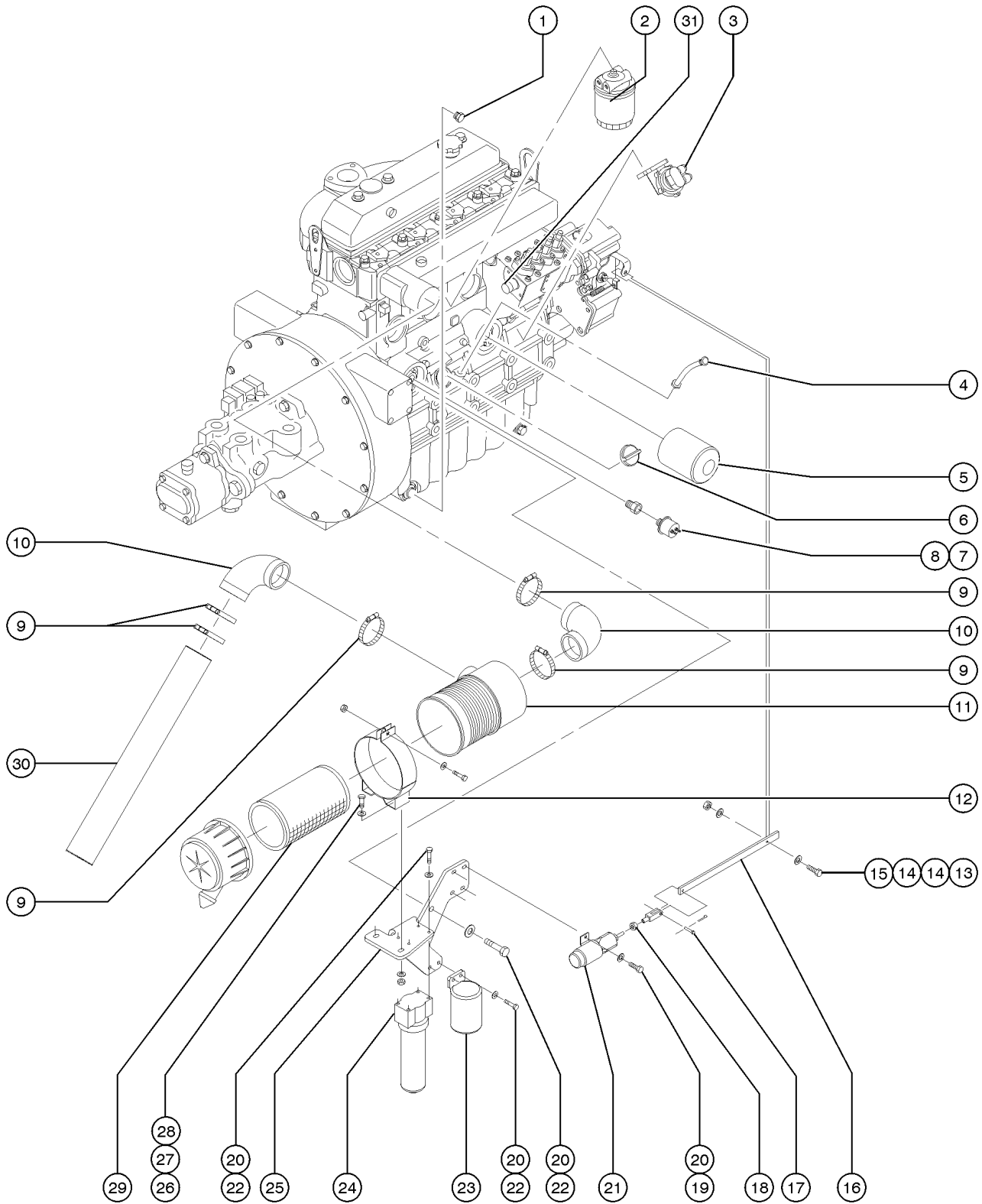
401.1 Perkins 704-30 Engine - View 1 (to SN 3737)



401.1 Perkins 704-30 Engine - View 1 (to SN 3737)

Item	Part No.	Description	Qty.
--	77958	HARNESS,PERKINS ENGINE <i>from SN 3487 to SN 3737</i>	
--	81562	HARNESS,GND,BATT 1 TO BATT 2	
--	81878	HARNESS,#8AWG BATT TO SEPERATR	
--	81992	HARNESS,PERKINS ENGINE <i>to SN 3486</i>	
1	65499	CAP, SIDE OIL FILL, PERKINS.....	1
2	65503	GASKET,MUFFLER PERKINS(53883).....	1
3	65504	NUT,MUFFLER PERKINS 10MM.....	3
4	63313	MUFFLER, PERKINS.....	1
5	16584	U-BOLT, KIT 5/16-18 X 2.5.....	2
6	63326P	MUFFLER BRACKET, PAINTED.....	1
7	6037	NUT,HEX,5/16-18,GR5	
8	44064	SCREW,HHC,M10 X 30MM,	
9	22700	WASHER,LOCK,M10	
10	6886	WASHER,LOCK,.313	
11	5397	WASHER,FLAT,USS,5/16",Y	
12	23057	SCREW,HHC,M8 X 20MM	
13	6638	WASHER,FLAT,USS,1/4"Y	
14	45454	CLAMP,RUB CUSH,0.75,#12 X 3/8*.....	1
15		Ref. Drive Pump Assembly (refer to 707.1)	
16		Ref. Single Lift/Steer Pump (refer to 707.1)	
17	6175	SCREW,HHC,3/8-16 X 1	
18	6097	WASHER,FLAT,USS,3/8",Y	
19	29436	O-RING***.....	1
20	8177	SCREW,HHC,1/2-13 X 1.5	
21	13066	WASHER,FLAT,.5 HARDENED.....	2
22	63464P	PLATE, PUMP MOUNT, PAINTED***.....	1
23	37002	COUPLER,HUB,15 TOOTH 7/16BOLT*.....	1
24	33024	FLYWHEEL FLANGE,GREEN PLASTIC.....	1
25	65495	STARTER MOTOR, PERKINS (53883).....	1
26	65487	ALTERNATOR, PERKINS (53883).....	1

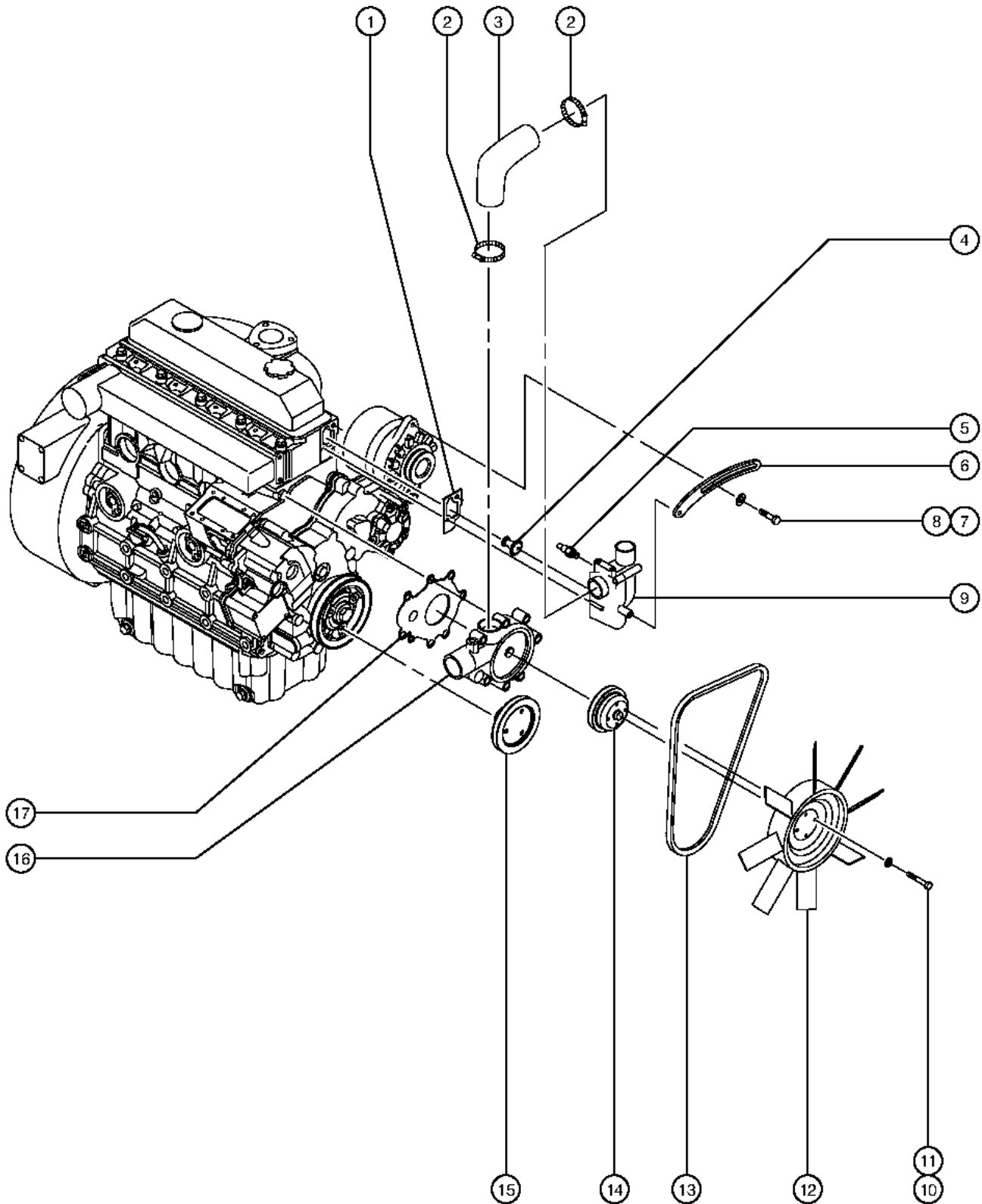
402.1 Perkins 704-30 Engine - View 2 (to SN 3737)



402.1 Perkins 704-30 Engine - View 2 (to SN 3737)

Item	Part No.	Description	Qty.	Item	Part No.	Description	Qty.
1	109802	PLUG,STEEL SOCKET,SAE090109B-6.....	1	25	63399P	AIR CLEANER BRACKET, PAINTED.....	1
2	62421	FILTER,FUEL,PERKINS.....	1	26	13002	SCREW,HHC,5/16-18 X 1 GR5	
3	65500	PUMP, LIFT INLET PORT (53883).....	1	27	5397	WASHER,FLAT,USS,5/16",Y	
--	53948	ADPTR,STR FEM INV 45D 1/4X1/4		28	6782	NUT,NYLOCK,5/16-18	
--	65501	FITTINGS, LIFT PUMP INLET PORT		29	62420	FILTER,AIR*** .....	1
4	65497	DIPSTICK (53883).....	1	30	34162-2300	HOSE,AIR INTAKE 2.50" I.D.....	1
5	62422	FILTER,OIL,PERKINS 704-30 (BB).....	1	31	72265	SOLENOID,SHUTDOWN,PERKINS ****	
6	65498	CAP,OIL FILLER, PERKINS.....	1				
7	30810	SENDING UNIT,OIL PRESSURE*** .....	1				
		<i>dual-terminal sender</i>					
8	53951	ADPTR,ST. THR 3/4-16 FEM PIPE.....	1				
9	53945	CLAMP,HOSE 2 5/16-3 1/4.....	5				
10	34164	ELBOW,90 DEGR,RUBBER,2.5" I.D.*.....	2				
11	63463	AIR CLEANER,NELSON***.....	1				
12	53952	BRKT,AIR CLEANER ORIENTATION** .....	1				
		<i>includes mounting fasteners; to SN 3737</i>					
13	81128	SCREW,SHSH,M5XM16,ZINC					
14	56660	WASHER,RIVETING					
15	27082	NUT,NYLOCK,M5X.80					
16	88512	THROTTLE LINK,DSL***.....	1				
17	21130	CLEVIS YOKE-1/4-28,PLTD W/PIN.....	1				
18	21496	NUT,HEX,1/4-28					
19	6888	SCREW,HHC,1/4-20 X 1					
20	6638	WASHER,FLAT,USS,1/4"Y					
21	77402	SOLENOID,THROTTLE ACTUATOR DSL.....	1				
--	88486	SOL SPRING,SYNCHRO START 1751					
22	6090	SCREW,HHC,1/4-20 X .75					
23	81199	SEPARATOR/FILTER,FUEL-D,30MIC.1					
--	65853	FILTER,FUEL/WATER SEPARATOR***					
24	77139	FILTER ASY,M PRESS,SAE8,WOIND*.....	1				
--	60857	FILTER,ELEMENT,BETA(5)=1000					

403.1 Perkins 704-30 Engine - View 3 (to SN 3737)

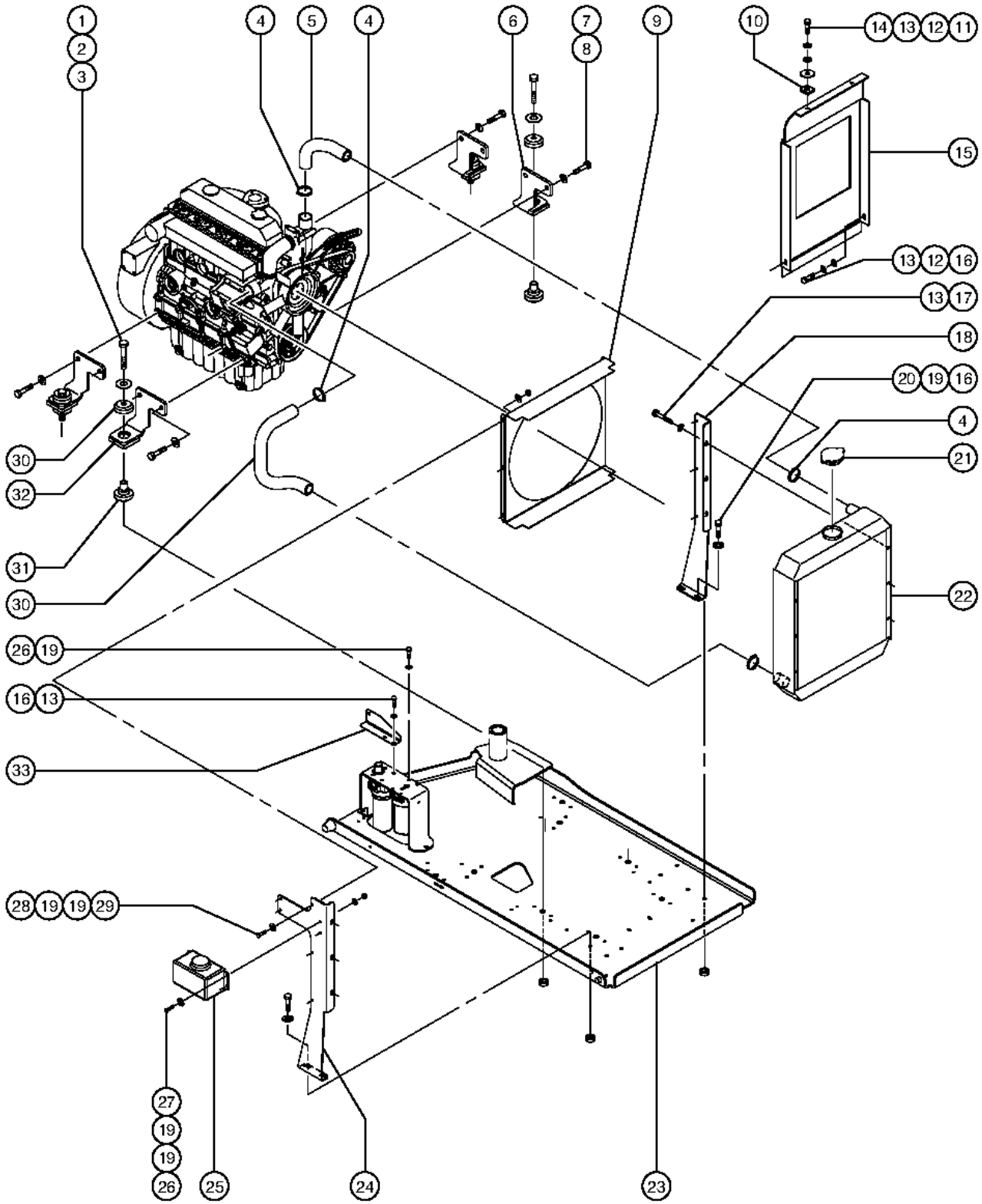




## 403.1 Perkins 704-30 Engine - View 3 (to SN 3737)

Item	Part No.	Description	Qty.
1	65505	GASKET, THERMOSTAT (53883)....	1
2	65506	CLAMP, HOSE (53883).....	2
3	65507	HOSE, WATER PUMP (53383).....	1
4	65493	THERMOSTAT, PERKINS (53883).....	1
5	34058	SENDING UNIT,TMP,FRD,GM,PRK704.....	1
6	65488	LEVER ALTERNATOR, (53883).....	1
7	49381	SCREW,HHC,M12 X 30	
8	65355	WASHER,LOCK,M12	
9	65494	HOUSING,THERMOSTAT (53883).....	1
10	67349	SCREW,HHC,M8 X 50	
11	49408	WASHER,LOCK,M8	
12	65490	FAN, PERKINS (53883).....	1
13	62423	BELT,V KIT, PERKINS 704-30.....	1
14	102683	PULLEY, WATER PUMP (704-30)....	1
15	65496	PULLEY,CRANKSHAFT (53883).....	1
16	65491	WATER PUMP, PERKINS (53883).....	1
17	65492	GASKET,TIMMING CASE COVER.....	1

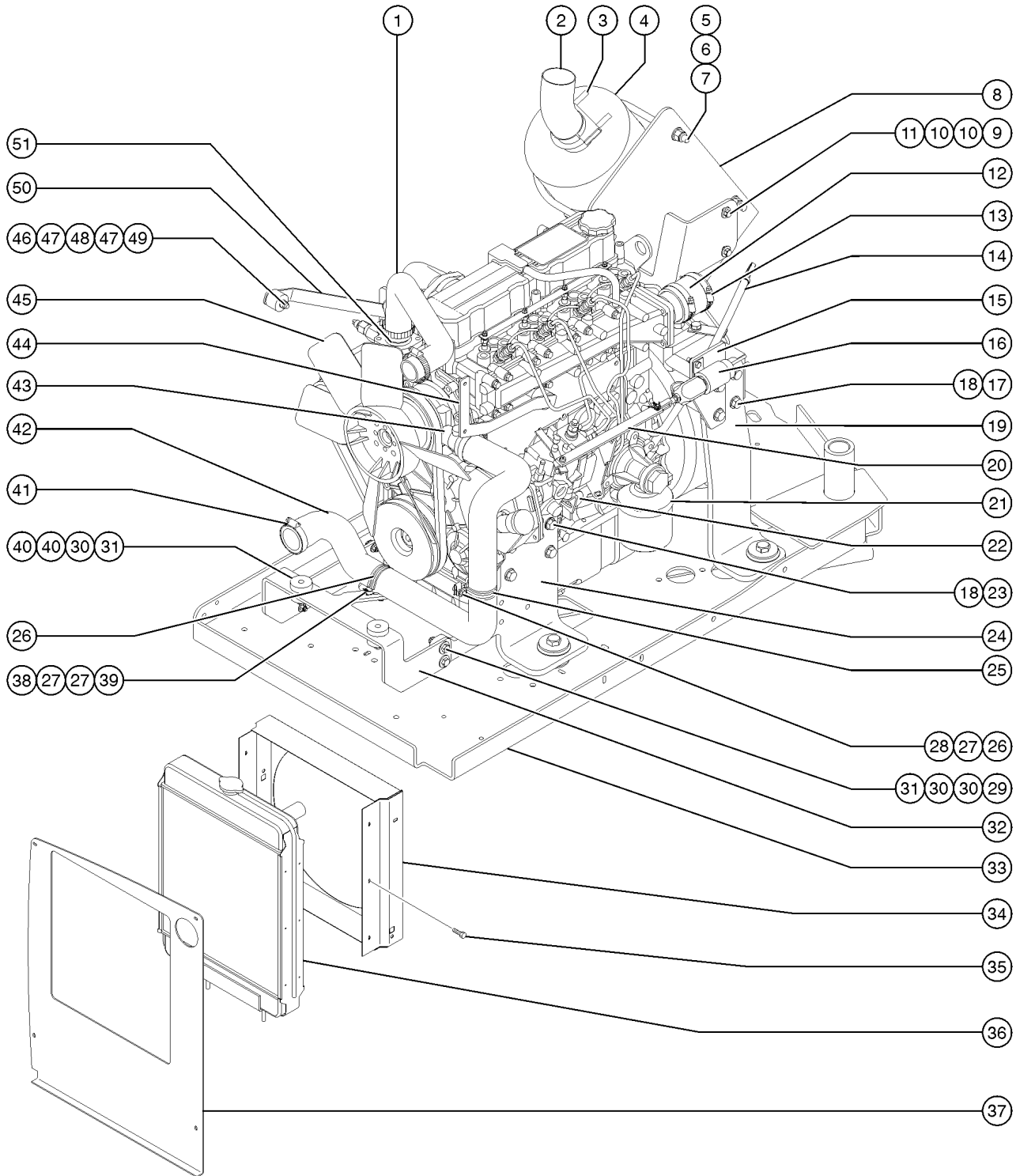
404.1 Perkins 704-30 Engine - View 4 (to SN 3737)



## 404.1 Perkins 704-30 Engine - View 4 (to SN 3737)

Item	Part No.	Description	Qty.
1	53909	SCREW,HHC,5/8-11 X 4.0 GR8.....	4
2	33418	WASHER,FLAT,.625 X 2.25 X.15	
3	6024	NUT,NYLOCK,5/8-11	
4	13014	CLAMP,HOSE,2.25" DIA.....	4
5	63413	RADIATOR HOSE, UPPER.....	1
6	63418	WELDMENT,ENGINE MOUNT,INBOARD.....	1
7	49384	SCREW,HHC,M14 X 30	
8	37505	WASHER,LOCK,M14	
9	63364P	FAN SHROUD, PAINTED.....	1
10	29868	SPRING CLIP,3/8-16.....	2
11	6708	SCREW,HHC,3/8-16 X 2.25	
12	6021	WASHER,LOCK,.,375	
13	5397	WASHER,FLAT,USS,5/16",Y	
14	6095	WASHER,FLAT,USS,1/2",Y	
15	63401P	BAFFLE,PERKINS,S60/80,PAINTED*.	1
16	6175	SCREW,HHC,3/8-16 X 1	
17	13002	SCREW,HHC,5/16-18 X 1 GR5	
18	63362P	RADIATOR MOUNT, LH, PAINTED.....	1
19	6638	WASHER,FLAT,USS,1/4"Y	
20	7713	NUT,LP NYLOCK,3/8-16	
21	65473	CAP,RADIATOR,PERKINS/FORD....	1
22	63462	RADIATOR,PERKINS,GM.....	1
23		Ref. Engine Pivot Tray Assembly with Bearings (refer to 423.1)	
24	102971	ENGINE MOUNT W/DECAL PERKNS T1.....	1
--	63363P	RADIATOR MOUNT, RH PAINTED	
25	54071	COOLANT RETURN SYSTEM,Z45***.....	1
--	72327	CAP, COOLANT RET SYS(54071)	
26	6090	SCREW,HHC,1/4-20 X .75	
27	6889	NUT,LP NYLOCK,1/4-20	
28	6888	SCREW,HHC,1/4-20 X 1	
29	6091	NUT,NYLOCK,1/4-20	
30	63414	RADIATOR HOSE, LOWER.....	1
31	28076	ISOLATOR,VIBRATION,LG,RD&WH***.	4
32	63419	WELDMENT,ENGINE MOUNT,OUTBOARD.....	1
33	88189P	FORMING,AIR INTAKE BRACKET.....	1

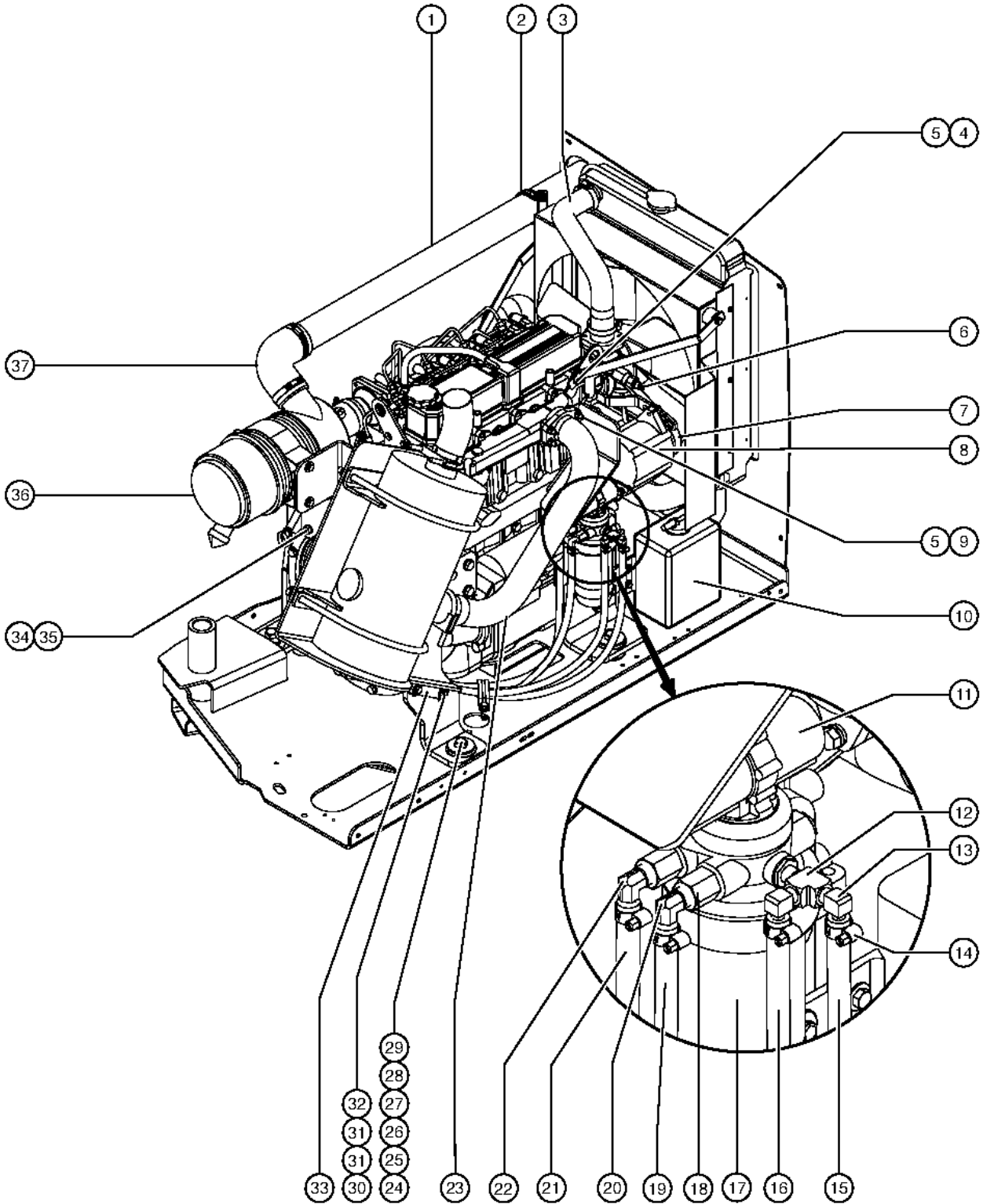
405.1 Perkins 804D-33 Engine - View 1 (from SN 3738)



405.1 Perkins 804D-33 Engine - View 1 (from SN 3738)

Item	Part No.	Description	Qty.	Item	Part No.	Description	Qty.
--	101893	HARNESS,PERKINS ENGINE		25	6653	CLAMP,1.88,#30 X 1/4,RUB CUSH.....	2
--	122262	HARNESS, DUAL BATT, PERKINS <i>from SN 6162</i>		26	6090	SCREW,HHC,1/4-20 X .75	
--	61225	RELAY,12VDC,70AMP,SEALED		27	6638	WASHER,FLAT,USS,1/4"Y	
--	61226	RELAY SOCKET,70AMP		28	56912	SPRING CLIP,1/4-20,.025-.15X.5	
1	101601	HOSE,RADIATOR,UPPER,PERKINS.1		29	8516	SCREW,HHC,3/8-16 X 1.50,GR5	
--	35434	CLAMP,HOSE,2.00***		30	6097	WASHER,FLAT,USS,3/8",Y	
2	101619	PIPE,TAIL.....	1	31	4828	NUT,NYLOCK,3/8-16	
3	71911	CLAMP,MUFFLER, 2.50 INCH		32	101606P	BRACKET,RADIATOR SUPPORT PNTD.....	1
4	70444	MUFFLER,2.5"INLET/OUTLET.....	1	33		Ref. Engine Tray Assembly with Bearings (refer to 423.1)	
--	101633	MUFFLER,SPARK ARREST,2.5 I/O		34	101603P	SHROUD,FAN,PERKINS PAINTED.....	1
--	101634	MUFFLER,CATALYTIC,2.5 I/O		35	21019	SCREW,PHIL,PHM,10-24 X.5,SEMS	
5	70449	U-BOLT,1/2-13 X 8.5.....	2	36	110304	RADIATOR,FORD/PERKINS***.....	1
6	13066	WASHER,FLAT,.5 HARDENED.....	4	--	65473	CAP,RADIATOR,PERKINS/FORD	
7	66777	NUT,TOP LOCK,1/2-13.....	2	37	101623P	BAFFLE,INTAKE,S80 PERKINS,PTD.....	1
8	101611	BRACKET,AIR CLEANER,MUFFLER.....	1	38	6888	SCREW,HHC,1/4-20 X 1	
9	13002	SCREW,HHC,5/16-18 X 1 GR5		39	6091	NUT,NYLOCK,1/4-20	
10	5397	WASHER,FLAT,USS,5/16",Y		40	24038	SHOCK MOUNT,SMALL.....	4
11	6782	NUT,NYLOCK,5/16-18		41	35434	CLAMP,HOSE,3.00".....	1
12	34162-300	HOSE,AIR INTAKE 2.50" ID.....	1	42	101602	HOSE,RADIATOR,LOWER,PERKINS.1	
13	30971	CLAMP,HOSE,3.00".....	1	43	226060	PUMP,WATER,PERKINS 804D-33T	
14	101625	DIP STICK TUBE ASSY.....	1	--	226061	GASKET-PUMP WATE,PERK 804D-33T	
15	101620P	BRACKET,SOLENOID PAINTED.....	1	44	101605P	BRACKET,FAN SHROUD,LH PAINTED	
16	77402	SOLENOID,THROTTLE ACTUATOR DSL.....	1	45	107545	FAN, PERKINS 804C-33	
--	21130	CLEVIS YOKE-1/4-28,PLTD W/PIN		46	23057	SCREW,HHC,M8 X 20MM	
17	27584	SCREW,HHC,M12 X 35MM		47	33277	WASHER,FLAT,M8,YELLOW ZINC	
18	49410	WASHER,FLAT,M12		48	60585	ISOLATOR,VIBRATION,M8 MALE/FEM	
19	101610P	ENGINE MOUNT,LR PAINTED.....	1	49	25368	NUT,NYLOCK,M8X1.25	
20	121814	THROTTLE LINKAGE,DIESEL.....	1	50	101604P	BRACKET,FAN SHROUD,RH,PAINTED	
--	27082	NUT,NYLOCK,M5X.80		51	226127	THERMOSTAT, 180 DEG.F	
--	81128	SCREW,SHSH,M5XM16,ZINC		--	226128	GASKET, (226127)	
21	101613	ELEMENT,OIL FILTER,PERKINS***.....	1				
22	102348	SENDING UNIT,OIL PRESS PERKINS.....	1				
--	101627	ADAPTER 3/8 FNPT X M16					
23	49381	SCREW,HHC,M12 X 30					
24	101608P	ENGINE MOUNT,LF PAINTED.....	1				

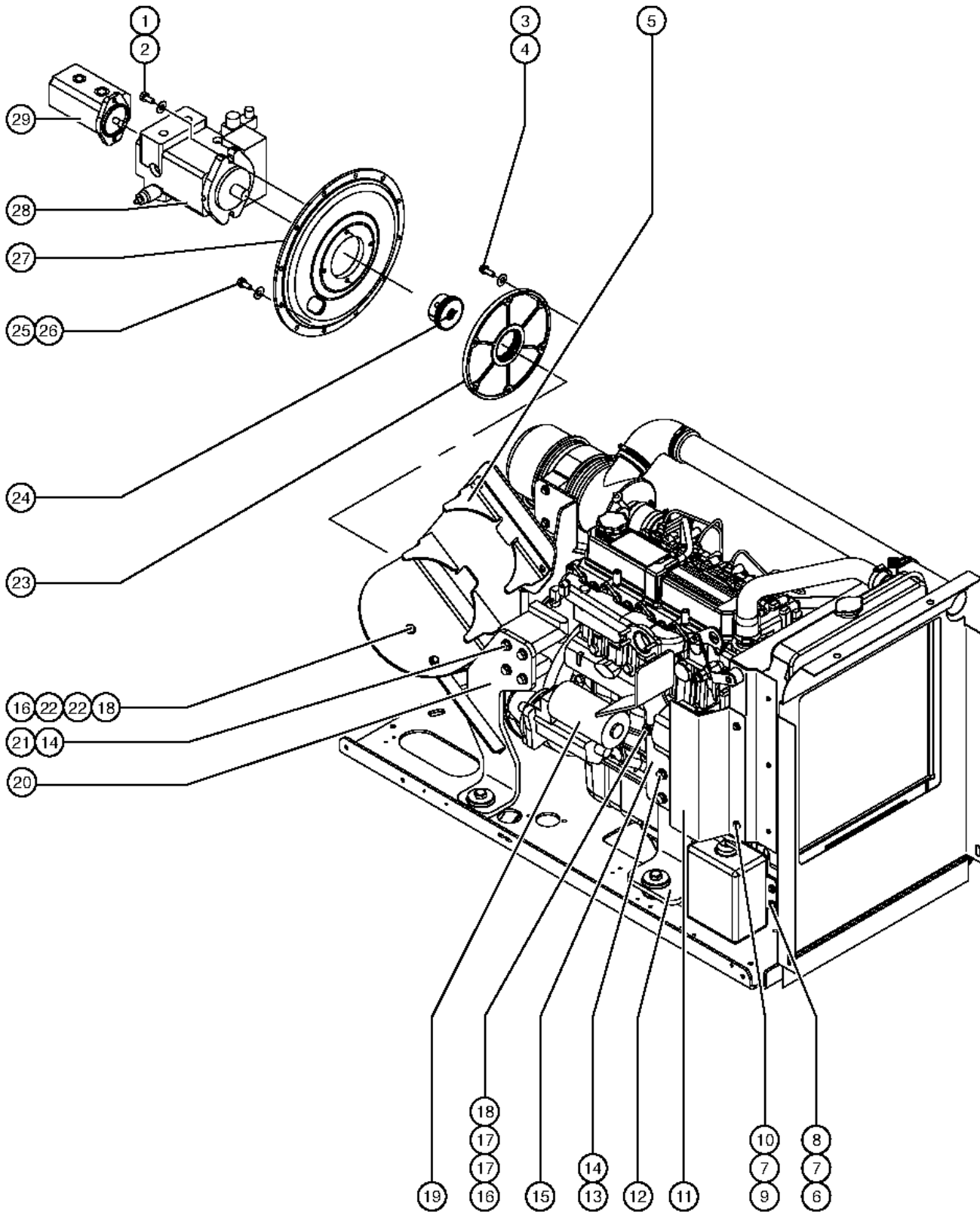
406.1 Perkins 804D-33 Engine - View 2 (from SN 3738)



406.1 Perkins 804D-33 Engine - View 2 (from SN 3738)

Item	Part No.	Description	Qty.	Item	Part No.	Description	Qty.
1	94324-3450	TUBE,RD,STL,ALUMIZD,2.5 X .065.....	1	28	6035	WASHER,FLAT,USS,5/8",Y	
2	101626	CLAMP,2.5,#40 X 1/4,RUB CUSH....	1	29	6024	NUT,NYLOCK,5/8-11	
3	101601	HOSE,RADIATOR,UPPER,PERKINS.1		30	8516	SCREW,HHC,3/8-16 X 1.50,GR5	
--	35434	CLAMP,HOSE,2.00***		31	5397	WASHER,FLAT,USS,5/16",Y	
4	23057	SCREW,HHC,M8 X 20MM		32	4828	NUT,NYLOCK,3/8-16	
5	33277	WASHER,FLAT,M8,YELLOW ZINC		33	101641P	BRACKET,MUFFLER SUPPORT PAINTD.....	1
6	34058	SENDING UNIT,TMP,FRD,GM,PRK704.....	1	34	44064	SCREW,HHC,M10 X 30MM,	
--	28607	ADAPTER,140139-8-6		35	22699	WASHER,FLAT,M10,ZINC PLTD.	
7	102534	V-BELT, PERKINS 804C-33		36	63463	AIR CLEANER,NELSON*** .....	1
8	58250	ALTERNATOR,PERKINS 800 SERIES.....	1	--	53952	BRKT,AIR CLEANER ORIENTATION**	
--	106023	CONN,ALT,3WAY,PERKINS 804		--	62420	FILTER,AIR***	
--	106024	TERM,ALT.PERKINS 804,16/14 GA		37	34164	ELBOW,90 DEGR,RUBBER,2.5" I.D.* .....	1
--	56689	SEAL,CONNECT,AMP SINGLE WIRE		--	90971	ALLIED SPADE DRILL,11/16	
9	22571	NUT,HEX,M8 X 1.25					
10	70367	BOTTLE,COOLANT RECOVERY,3.7*** .....	1				
--	115431	CAP ASSY,COOLANT BOTTLE***					
11	101644	FUEL LIFT PUMP/FILTER ASSY.....	1				
12	41468	TEE,BRASS STREET,12 NPT.....	1				
13	38922	ELBOW,90DEG.1/8MPT-5/16 BARB.....	2				
14	21465	CLAMP,HOSE,SIZE .25 TO .63.....	8				
15	27089	HOSE,5/16 FUEL,SAE 30R7					
16	27089	HOSE,5/16 FUEL,SAE 30R7					
17	101614	ELEMENT,FUEL/WATER SEPARATOR.....	1				
18	101628	ADAPTER,1/4 FNPT X 1/2-20 UNF.....	2				
19	42941	HOSE,3/8",FUEL,30R7					
20	31817	ELBOW,90DEG.1/4MPT-3/8 BARB.....	1				
21	27089	HOSE,5/16 FUEL,SAE 30R7					
22	54205	HOSE END,BARB,1/4 MNPTX5/16,90.....	1				
23	101618	PIPE,EXHAUST WELDMENT.....	1				
24	13003	SCREW,HHC,5/8-11 X 3.5 GRD.8...4					
25	33418	WASHER,FLAT,.625 X 2.25 X.15					
26	102045	ISOLATOR,ENGINE VIBRATION....4					
27	18596	WASHER,FLAT,1.56 X 2.5 X .061					

407.1 Perkins 804D-33 Engine - View 3 (from SN 3738)

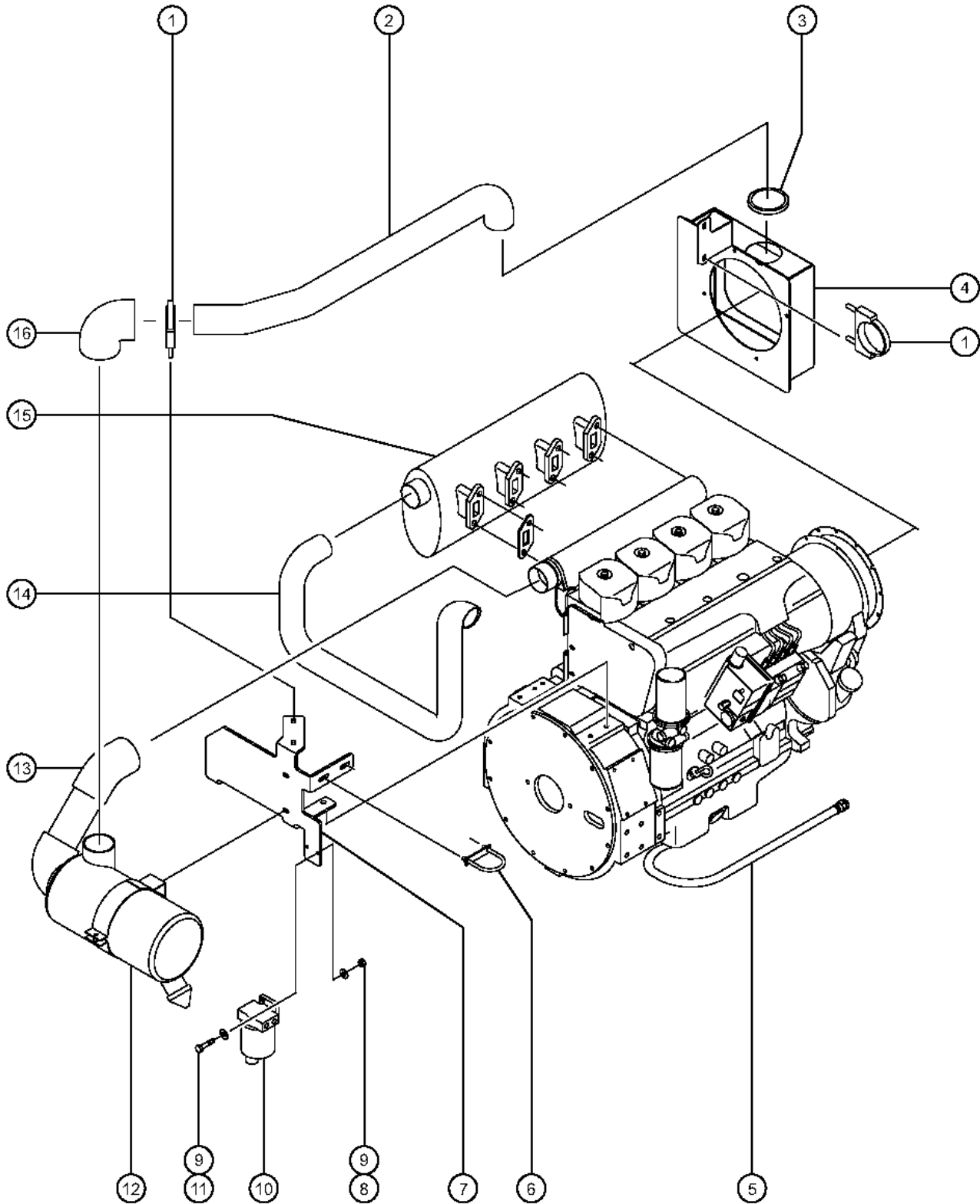




407.1 Perkins 804D-33 Engine - View 3 (from SN 3738)

Item	Part No.	Description	Qty.	Item	Part No.	Description	Qty.
--	128023	KIT,FBA STYLE COUPLER,SAE8 <i>(replaces the flex plate and pump coupler)</i>		27	61781	CASTING,SAE 4 PUMP MOUNT,MACHI.....	1
1	8177	SCREW,HHC,1/2-13 X 1.5		28		Ref. Drive Pump Assembly (refer to 707.1)	
2	13066	WASHER,FLAT,.5 HARDENED		29		Ref. Function Pump (refer to 707.1)	
3	44064	SCREW,HHC,M10 X 30MM, <i>(use with flex plate 33024)</i>					
--	62476	SCREW,SHC,M10X1.5X20MM (75090) <i>(use with coupler 128004)</i>					
4	22699	WASHER,FLAT,M10,ZINC PLTD.					
5	70483	FORMING,8.5' MUFFLER MOUNT.....	2				
6	6888	SCREW,HHC,1/4-20 X 1					
7	6638	WASHER,FLAT,USS,1/4"Y					
8	6091	NUT,NYLOCK,1/4-20					
9	6090	SCREW,HHC,1/4-20 X .75					
10	56912	SPRING CLIP,1/4-20,.025-.15X.5					
11	102972	BELT GUARD W/DECAL PERKINS.....	1				
--	101624P	FORMING,BELT GUARD PAINTED					
12	101607P	ENGINE MOUNT,RF PAINTED.....	1				
13	27584	SCREW,HHC,M12 X 35MM					
14	49410	WASHER,FLAT,M12					
15	101615P	BRACKET,FUEL PUMP PAINTED.....	1				
16	8516	SCREW,HHC,3/8-16 X 1.50,GR5					
17	6097	WASHER,FLAT,USS,3/8",Y					
18	4828	NUT,NYLOCK,3/8-16					
19	107546	STARTER MOTOR,PERKINS(804C-33).....	1				
20	101609	ENGINE MOUNT,RR.....	1				
21	27584	SCREW,HHC,M12 X 35MM					
22	5397	WASHER,FLAT,USS,5/16",Y					
23	33024	FLYWHEEL FLANGE,GREEN PLASTIC..... <i>to SN 5944</i>	1				
--	128004	COUPLER,15 TOOTH,FBA,SAE8*** <i>from SN 5945</i>					
24	37003	COUPLER,HUB,15 TOOTH 7/16BOLT*.....	1				
25	27034	SCREW,HHC,M10 X 25MM,GR 8.8					
26	22699	WASHER,FLAT,M10,ZINC PLTD.					

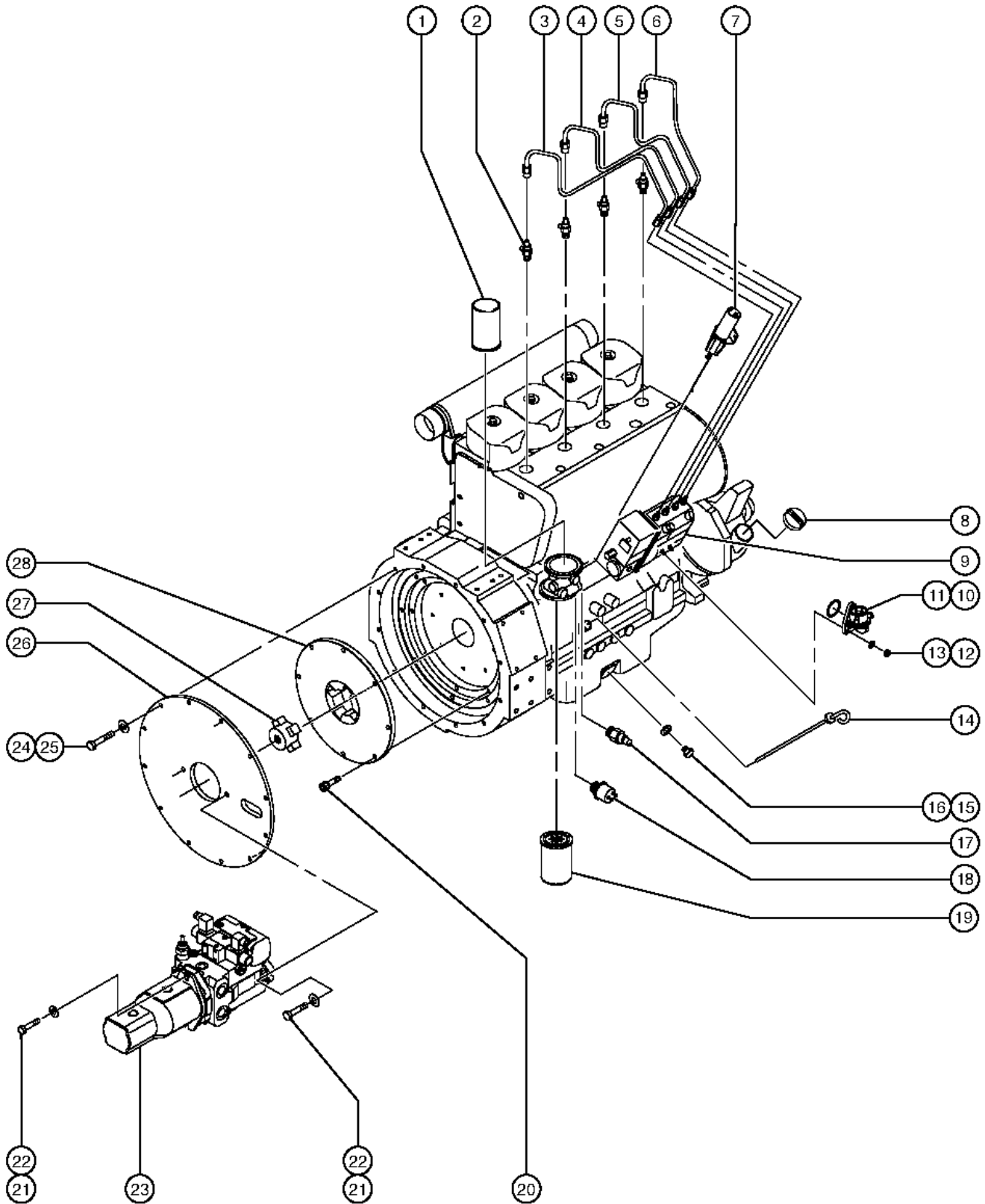
408.1 Deutz F4L-913 Engine - View 1 (to SN 3772)



## 408.1 Deutz F4L-913 Engine - View 1 (to SN 3772)

Item	Part No.	Description	Qty.
--	77956	HARNESS,DEUTZ ENGINE,913 from SN 3487 to SN 3772	
--	81534	HARNESS,DEUTZ ENGINE,F4L913 to SN 3486	
--	81562	HARNESS,GND,BATT 1 TO BATT 2	
1	61273	CLAMP-HEAVY DUTY.....	2
2	81469	TUBE,INLET,DEUTZ.....	1
3	44669	GROMMET,RUBBER 3 X .13 X 3.25.....	1
4	102978	INTAKE BOX W/DECAL DEUTZ T1S80.....	1
--	81518	AIR INTAKE BOX BODY	
5	81782	HOSE ASSY,DEUTZ OIL DRAIN 1/2".....	1
--	49213	HOSE END,BARBED,SWIVEL,JIC,8-8	
--	63426	PLUG,070109-8	
--	81781	ADAPTER,DEUTZ OIL DRAIN	
6	16584	U-BOLT, KIT 5/16-18 X 2.5.....	1
7	81471	BRACKET,AIR CLEANER/EXHAUST.....	1
8	6091	NUT,NYLOCK,1/4-20	
9	6638	WASHER,FLAT,USS,1/4"Y	
10	81199	SEPARATOR/FILTER,FUEL-D,30MIC.1	
--	65853	FILTER,FUEL/WATER SEPARATOR***	
11	8915	SCREW,HHC,1/4-20 X 1.25	
12	81467	AIR CLEANER,NELSON.....	1
--	62425	FILTER,AIR CLEANER, SUPERBOOM	
--	81468	MOUNTING BAND,AIR CLEANER	
13	61270	ELBOW,45 DEG,INLET.....	1
--	60561	ELBOW,INLET,CUMMINS	
--	81906	TUBE,RD,ALUM 3 X .188	
14	81470	TAILPIPE,DEUTZ 913 S80.....	1
15	75359	MUFFLER,DEUTZ,F4L913.....	1
15	75360	GASKET,EXAUST,DEUTZ F4L913	
--	75000	MUFFLER,CATALYTIC,DEUTZ*F4L913	
16	60561	ELBOW,INLET,CUMMINS.....	1

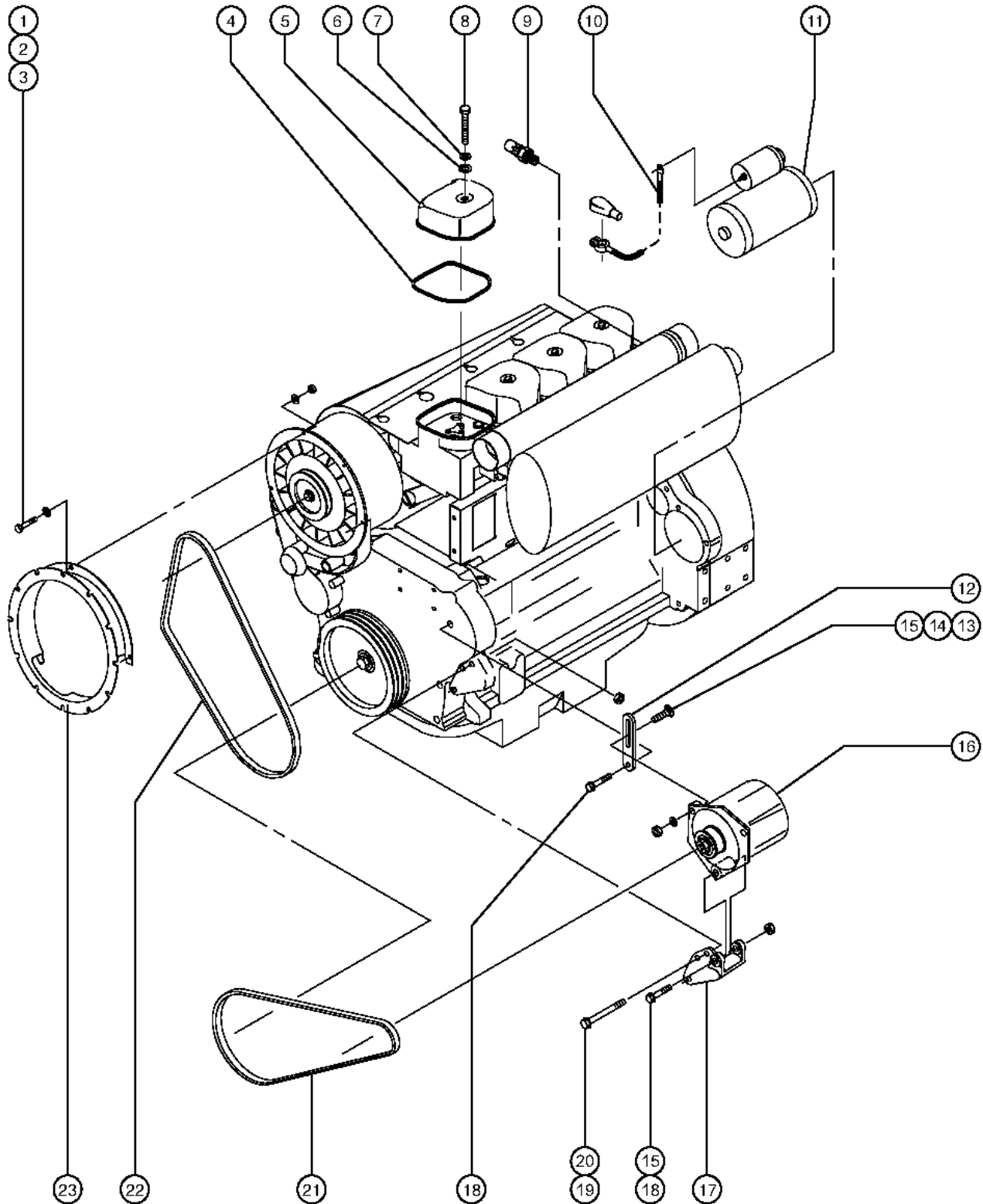
409.1 Deutz F4L-913 Engine - View 2 (to SN 3772)



## 409.1 Deutz F4L-913 Engine - View 2 (to SN 3772)

Item	Part No.	Description	Qty.	Item	Part No.	Description	Qty.
1	108543	FILTER / FUEL / SPIN-ON.....	1	24	44064	SCREW,HHC,M10 X 30MM,	
1	58566	FILTER HEAD (29560) <i>plastic</i>		25	22699	WASHER,FLAT,M10,ZINC PLTD.	
2	75361	INJECTOR,FUEL,DEUTZ F4L913...4		26	63464P	PLATE, PUMP MOUNT, PAINTED*** .....	1
--	75378	SEAL,INJECTOR,DEUTZ F4L913		27	81473	COUPLER,HUB,15 TOOTH DEUTZ 913.....	1
3	75362	FUEL LINE,INJECT.1DEUTZ F4L913.....	1	28	61078	FLYWHEEL DRIVE PLATE,SAE 10.....	1
4	75363	FUEL LINE,INJECT.2DEUTZ F4L913.....	1				
5	75364	FUEL LINE,INJECT.3DEUTZ F4L913.....	1				
6	75365	FUEL LINE,INJECT.4DEUTZ F4L913.....	1				
7	75366	SOLENOID,SHUTDOWN DEUTZ F4L913.....	1				
8	75369	CAP,OIL FILLER, DEUTZ F4L913....1 <i>includes sealing ring; to SN 3772</i>					
--	75377	O-RING,OIL FILLER (75369)					
9	75370	PUMP,FUEL INJECTN.DEUTZ F4L913..... <i>includes items 10-13; to SN 3772</i>	1				
--	75371	O-RING,FUEL INJ.PUMP (75370)					
10	75367	PUMP,FUEL LIFT DEUTZ F4L913.....	1				
11	72243	MOUNTING O-RING (75367).....	1				
12	75379	NUT,M6,FUEL PUMP,DEUTZ F4L913					
13	75380	WASHER,LOCK,M6,DEUTZ F4L913					
14	75372	DIPSTICK,DEUTZ F4L913..... <i>includes O-ring; to SN 3772</i>	1				
--	75373	O-RING,DIPSTICK DEUTZ (75372)					
15	75374	PLUG,ENGINE OIL, DEUTZ F4L913.....	3				
16	75375	WASHER,OIL DRAIN DEUTZ F4L913.....	3				
17	72355	OIL TEMP SENSOR(60323).....	1				
18	75473	SENSOR,OIL PRS KIT,VDO0360-040.....	1				
19	62430	FILTER,OIL, DEUTZ F4L913.....	1				
20	61110	SCREW,SHC,M10X1.5X30 GR 12.9.....	8				
21	8177	SCREW,HHC,1/2-13 X 1.5					
22	13066	WASHER,FLAT,.5 HARDENED.....	4				
23		Ref. Drive Pump Assembly (refer to 707.1)					

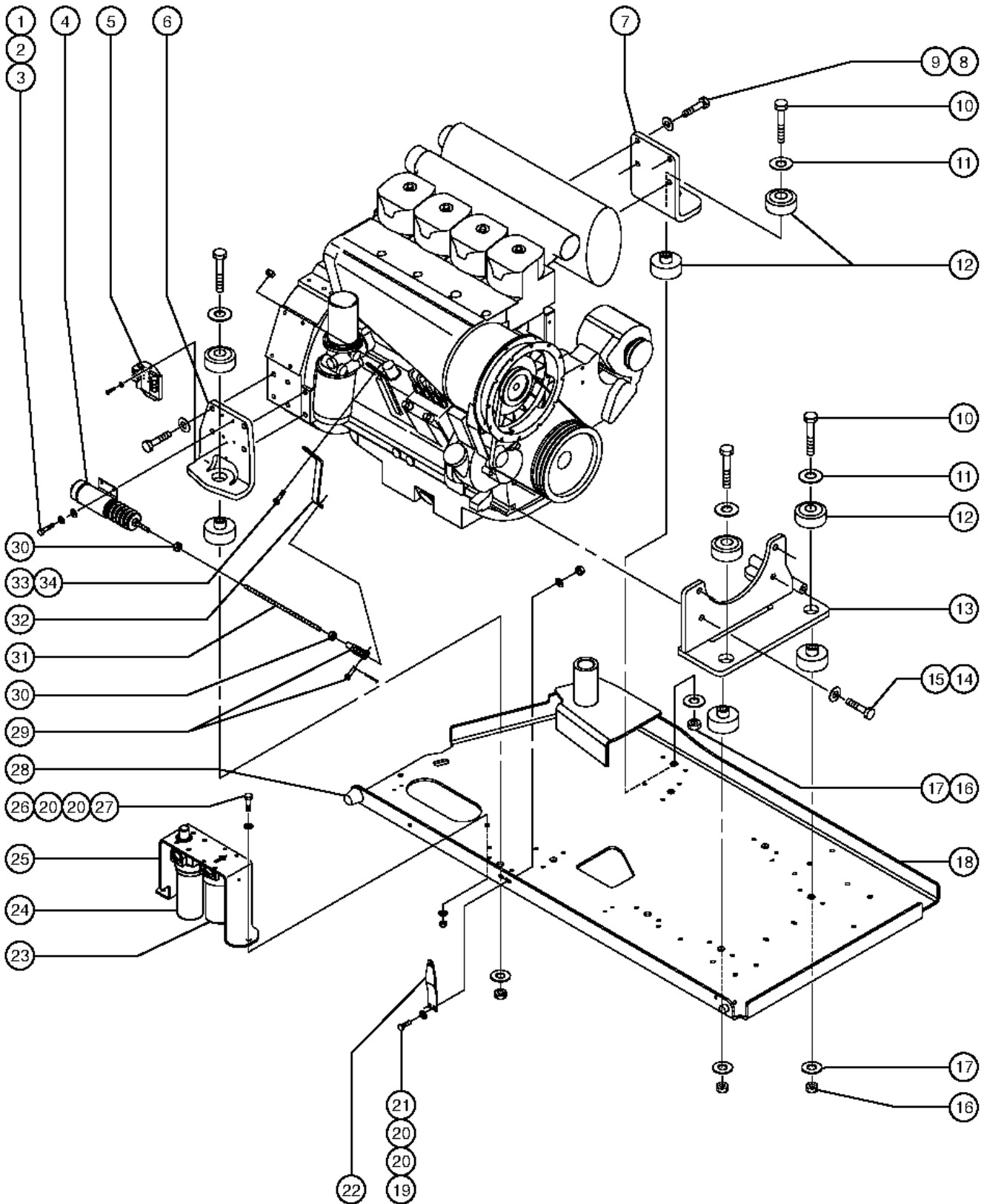
410.1 Deutz F4L-913 Engine - View 3 (to SN 3772)



## 410.1 Deutz F4L-913 Engine - View 3 (to SN 3772)

Item	Part No.	Description	Qty.
1	75381	SCREW,HHC,M6 X 1 X 20	
2	75382	WASHER,FLAT,M6,DEUTZ F4L913	
3	75383	NUT,M6,BLOWER,DEUTZ F4L913	
4	75384	GASKET,CYL.COVR. DEUTZ F4L913.....4	4
5	75385	CYLINDER HEAD CVR.DEUTZ F4L913.....4	4
6	75388	SEAL,CYL.HED.CVR.DEUTZ,F4L913.4	4
7	75387	WASHER,CYL.HED CVR.DEUTZF4L913.....4	4
8	75386	SCREW,HHC,M8 X 1.25 X 30	
9	75389	GLOW PLUG,DEUTZ F4L913.....1	1
--	75390	SOLENOID,GLOW PLUG,DEUTZF4L913	
10	61318	BATTERY CABLE,POSITIVE DEUTZ.....1	1
11	75391	STARTER, DEUTZ F4L913.....1	1
--	75392	SOLENOID,STARTER,DEUTZ F4L913	
12	75394	ALTERNATOR STAY,DEUTZ F4L913.....1	1
13	75416	BOLT,CARRIAGE,M8X1.25X25,DEUTZ	
14	75417	WASHER,FLAT,M8 DEUTZ, F4L913	
15	75418	NUT,M8,ALTERNATOR,DEUTZ F4L913	
16	75393	ALTERNATOR, DEUTZ (55AMP) *** .....1	1
17	75419	ALTERNATOR,STAY,DEUTZ,F4L913.1	1
18	75420	SCREW,HHC,M8 X 1.25 X 120	
19	75421	SCREW,HHC,M10 X 1.5 X 140	
20	75422	NUT,HEX,M10,ALTER.DEUTZ F4L913.....1	1
21	62432	BELT,V, ALTERNATR.DEUTZ F4L913.....1	1
22	62431	BELT,V, BLOWER, DEUTZ F4L913.....1	1
23	75423	SHROUD,DEUTZ,AIR INTAKE.....1	1

411.1 Deutz F4L-913 Engine - View 4 (to SN 3772)

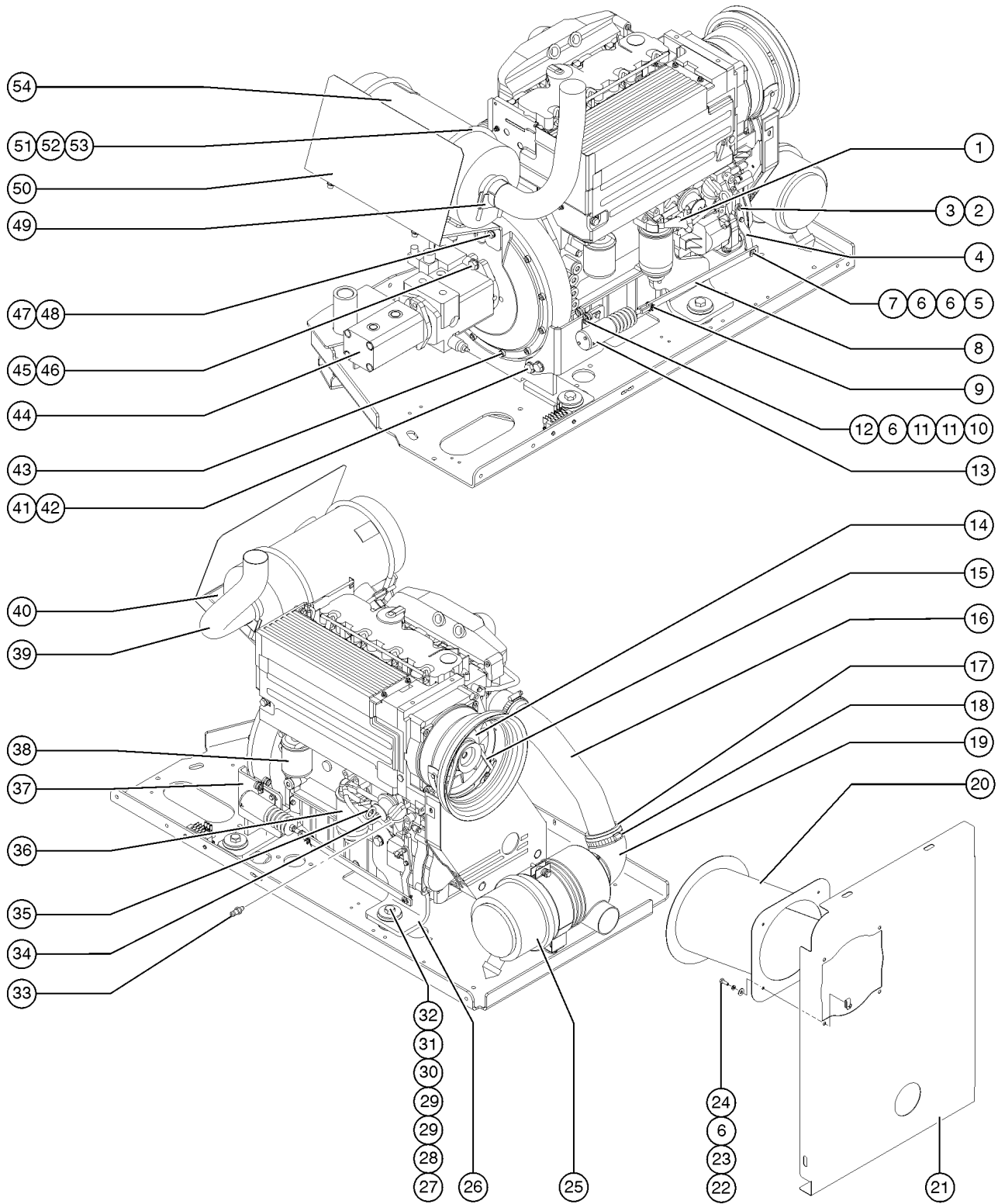




411.1 Deutz F4L-913 Engine - View 4 (to SN 3772)

Item	Part No.	Description	Qty.	Item	Part No.	Description	Qty.
1	7339	SCREW,HHC,1/4-20 X .5		25	81005	BRACKET,FILTER MOUNT.....	1
2	6356	WASHER,LOCK,.25		26	6175	SCREW,HHC,3/8-16 X 1	
3	6638	WASHER,FLAT,USS,1/4"Y		27	7713	NUT,LP NYLOCK,3/8-16	
4	89998	KIT,SERVICE,SOLENOID MODULE.....	1	28	30973	BUMPER,RUBBER-1 X 1.25.....	1
--	52537	BOOT,SOLENOID,29073		29	21130	CLEVIS YOKE-1/4-28,PLTD W/PIN.....	1
5	89997	RELAY MODULE(89996,89998)....	1			<i>includes clevis pin and cotter pin; to SN 3772</i>	
6	81463P	ENGINE MOUNT,RR,DEUTZ 913 PNT.....	1	30	21496	NUT,HEX,1/4-28	
7	81462P	ENGINE MOUNT,LR,DEUTZ 913 PNT.....	1	31	30785-1000	THREADED ROD,1/4-28 X 10 IN***.....	1
8	60868	SCREW,HHC,M12 X 45		32	75082-S	FORMING,THROTTLE ARM DEUTZ.....	1
9	49410	WASHER,FLAT,M12		33	6090	SCREW,HHC,1/4-20 X .75	
10	59746	SCREW,HHC,5/8-11 X 4.0.....	4	34	6889	NUT,LP NYLOCK,1/4-20	
		<i>for use with two-piece isolator</i>					
10A	13003	SCREW,HHC,5/8-11 X 3.5 GRD.8... <i>for use with one-piece isolator 102045</i>	4				
11	33418	WASHER,FLAT,.625 X 2.25 X.15....	4				
12		ISOLATOR, TWO-PIECE <i>component no longer available</i>					
12A	102045	ISOLATOR,ENGINE VIBRATION....	4				
12A	18596	WASHER,FLAT,1.56 X 2.5 X .061.... <i>for use with one-piece isolator 102045</i>	8				
13	81464P	ENGINE MOUNT,FRONT,DEUTZ PAINT.....	1				
14	75398	SCREW,HHC,M14 X 2 X 100					
15	75399	WASHER,FLAT,M14,DEUTZ F4L913					
16	6024	NUT,NYLOCK,5/8-11					
17	6035	WASHER,FLAT,USS,5/8",Y					
18		Ref. Engine Pivot Tray Assembly with Bearings (refer to 423.1)					
19	13002	SCREW,HHC,5/16-18 X 1 GR5					
20	5397	WASHER,FLAT,USS,5/16",Y					
21	6782	NUT,NYLOCK,5/16-18					
22	49535P	PLATE,LATCH,BLUE,PAINTED.....	1				
23	77139	FILTER ASY,M PRESS,SAE8,WOIND*.....	1				
--	60857	FILTER,ELEMENT,BETA(5)=1000					
24	60334	FILTER ASSY,HIGH PRESS SAE-12*.....	1				
--	58222	O-RING,FILTER ASSY (60334)***					
--	58223	SEAL,FILTER ASSY (60334)***					
--	60857	FILTER,ELEMENT,BETA(5)=1000					

412.1 Deutz BF4L-2011 / TD2011-L04i Engine - View 1 (from SN 3773)



412.1 Deutz BF4L-2011 / TD2011-L04i Engine - View 1 (from SN 3773)

Item	Part No.	Description	Qty.	Item	Part No.	Description	Qty.
--	121340	ENGINE KIT, DEUTZ TD2011L04i		--	89997	RELAY MODULE(89996,89998)	
--	T114678	SHUTDOWN SOLENOID,12V, DEUTZ		14	58249	ALTERNATOR, DEUTZ,BF4L2011***.....1	
--	101895	HARNESS,DEUTZ ENGINE,BF4L2011 to SN 5488		15	102589	V-BELT, DEUTZ F4L2011.....1 to SN 6768	
--	122050	HARNESS,DEUTZ ENGINE,BF4L2011 from SN 5489		--	58630	V-BELT, DEUTZ TD2011LOAI from SN 6769	
--	102417	HARNESS,DEUTZ TIMER MOD S80		16	102227	TUBE,AIR INTAKE.....1	
--	102406	MODULE,TIME DELAY ON BRK 30S from SN 4078		17	88064	REDUCER,3" TO 2.75".....1	
--	139983	EXHAUST PIPE GASKET from SN 6769		18	30489	CLAMP,HOSE,3.50.....4	
--	101638	OPTION, SPARK ARREST		19	139455	ELBOW,AIR INTAKE,RUBBER.....1	
--	61225	RELAY,12VDC,70AMP,SEALED.....2 from SN 5019		20	102979	INTAKE BOX W/DECAL DEUTZ T2S80 to SN 6768	
--	61226	RELAY SOCKET,70AMP.....2 from SN 5019		--	111128P	WELDMENT,COOLING AIR BOX,PTD to SN 6768	
1	111668	PUMP,FUEL 2011 DEUTZ ***.....1 comes with hand priming pump, includes o-ring 111402		--	122581	WELDMENT,AIR INTAKE DEUTZ from SN 6769	
--	111402	O-RING, FUEL LIFT PUMP		--	122629	DEUTZ AIRBOX WITH WORD DECAL.....1 from SN 6769	
2	22578	SCREW,HHC,M6 X 20MM,GR8.8		21	102226P	FORMING,INTAKE BAFFLE PAINTED.....1 to SN 6768	
3	49407	WASHER,LOCK,M6		--	122585	FORMING,INTAKE BAFFLE,DEUTZ from SN 6769	
4	70479P	FORMING,THROTTLE ARM PAINTED to SN 7173		22	6175	SCREW,HHC,3/8-16 X 1 to SN 6768	
--	50787P	LEVER,GOVERNOR ACTUATOR,PTD***.....1 from SN 7174		--	6090	SCREW,HHC,1/4-20 X .75 from SN 6769	
5	6584	SCREW,SHS,10-24 X .625		23	5397	WASHER,FLAT,USS,5/16",Y to SN 6768	
6	6638	WASHER,FLAT,USS,1/4"Y		--	6356	WASHER,LOCK, .25 from SN 6769	
7	5365	NUT,NYLOCK,10-24.....1		24	4828	NUT,NYLOCK,3/8-16 to SN 6768	
8	88512	THROTTLE LINK,DSL*** to SN 7173		--	56912	SPRING CLIP,1/4-20,.025-.15X.5 from SN 6769	
--	139322	THROTTLE LINKAGE, DSL.....1 from SN 7174		25	81467	AIR CLEANER,NELSON.....1	
9	21130	CLEVIS YOKE-1/4-28,PLTD W/PIN		--	62425	FILTER,AIR CLEANER, SUPERBOOM	
10	6888	SCREW,HHC,1/4-20 X 1		--	81468	MOUNTING BAND,AIR CLEANER	
11	16073	CLAMP,0.63,#10 X 1/4,RUB CUSH.....2		26	70455P	FORMING,ENGINE MOUNT PAINTED.....1	
12	6091	NUT,NYLOCK,1/4-20		27	13003	SCREW,HHC,5/8-11 X 3.5 GRD.8...6	
13	89998	KIT,SERVICE,SOLENOID MODULE.....1					

412.1 Deutz BF4L-2011 / TD2011-L04i Engine - View 1 (from SN 3773)

(continued)

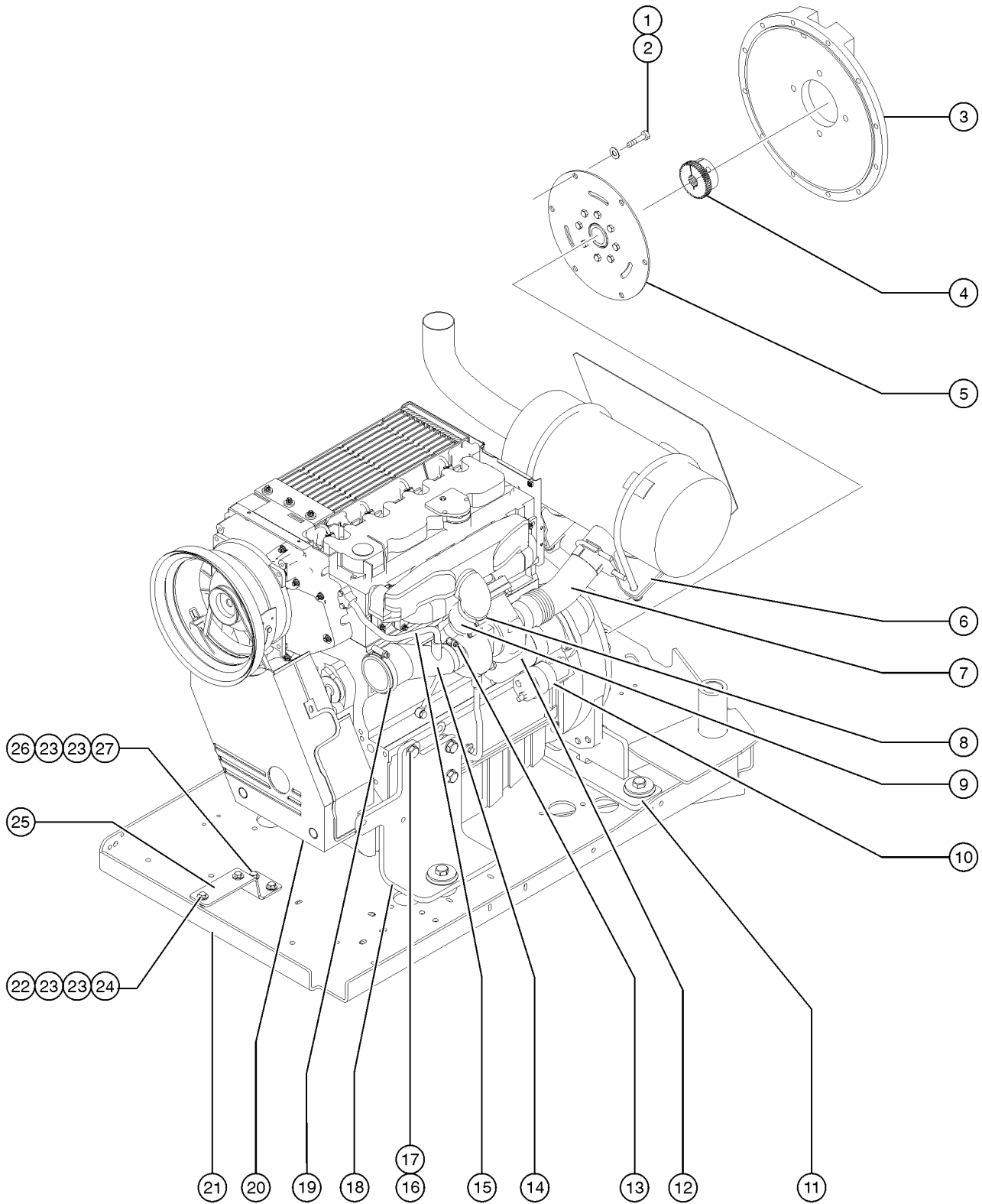
Item	Part No.	Description	Qty.	Item	Part No.	Description	Qty.
28	33418	WASHER,FLAT,.625 X 2.25 X .15		44	Ref.	Drive Pump (refer to 707.1)	
29	18596	WASHER,FLAT,1.56 X 2.5 X .061		--	Ref.	Function Pump (refer to 707.1)	
30	102045	ISOLATOR,ENGINE VIBRATION.....6		45	8177	SCREW,HHC,1/2-13 X 1.5	
31	13064	WASHER,FLAT,.625 HARDENED....4		46	13066	WASHER,FLAT,.5 HARDENED	
32	6024	NUT,NYLOCK,5/8-11		47	85053	SCREW,HHC,M10 X 1.5 X70,GR 8.8	
33	139624	SWITCH, OIL PRESSURE 1.5 BAR		48	22699	WASHER,FLAT,M10,ZINC PLTD.	
--	139666	KIT,OP SWITCH,DEUTZ <i>(oil pressure kit for models with ALC-500 control system. replaces 65765. includes item 139624 and instructions)</i>		49	71911	CLAMP,MUFFLER, 2.50 INCH.....2	
34	58299	SENDING UNIT,OIL PRESS.,DEUTZ*.....1		50	102237P	FORMING,HEAT SHIELD,MUFFLER.....1	
35	49922	DIPSTICK - DEUTZ F4L1011F.....1 <i>to SN 6537</i>		51	70449	U-BOLT,1/2-13 X 8.5.....2	
--	102585	O-RING,DIPSTICK,DEUTZ F4L2011 <i>use with item 49922; to SN 6537</i>		52	13066	WASHER,FLAT,.5 HARDENED	
--	52352	DIPSTICK-F3L1011F (DEUTZ) <i>from SN 6538</i>		53	66777	NUT, TOP LOCK, 1/2-13	
36	29560	FILTER,FUEL/WTR SEP, DTZ 1008.....1 <i>Genie Genuine Part. See PN 1254826 for compatible aftermarket replacement.</i>		54	70444	MUFFLER,2.5"INLET/OUTLET.....1	
--	1254826	FUEL FILTER W/SEP,DEUTZ,1008.....1 <i>Genie Aftermarket Part. Filter for Deutz F3L 1011F Engine.</i>		--	101633	MUFFLER, SPARK ARREST,2.5 I/O <i>(spark arrest option)</i>	
--	58566	FILTER HEAD (29560)		--	101634	MUFFLER,CATALYTIC,2.5 I/O <i>(scrubber option)</i>	
37	70478	FORMING,SOLENOID MOUNT.....1 <i>to SN 7173</i>					
--	139321	FORMING, SOLENOID MOUNT***.....1 <i>from SN 7174</i>					
38	49924	FILTER,OIL,DEUTZ F4L1011F.....1 <i>Genie Genuine Part. See PN 1255653 for compatible aftermarket replacement.</i>					
--	1255653	FILTER,OIL,DEUTZ,REPLACEMENT.1 <i>Genie Aftermarket Part. Compatible with Genie Genuine Part 49924.</i>					
39	70465	TAILPIPE,DEUTZ BF4L2011.....1					
40	70448P	FORMING,MUFFLER MOUNT.....1					
41	22558	SCREW,HHC,M14 X 40MM,GR 8.8					
42	49411	WASHER,FLAT,M14					
43	61110	SCREW,SHC,M10X1.5X30 GR 12.9.....9					

---

412.1 Deutz BF4L-2011 / TD2011-L04i Engine - View 1 (from SN 3773)  
(continued)

***This Page Intentionally Left Blank***

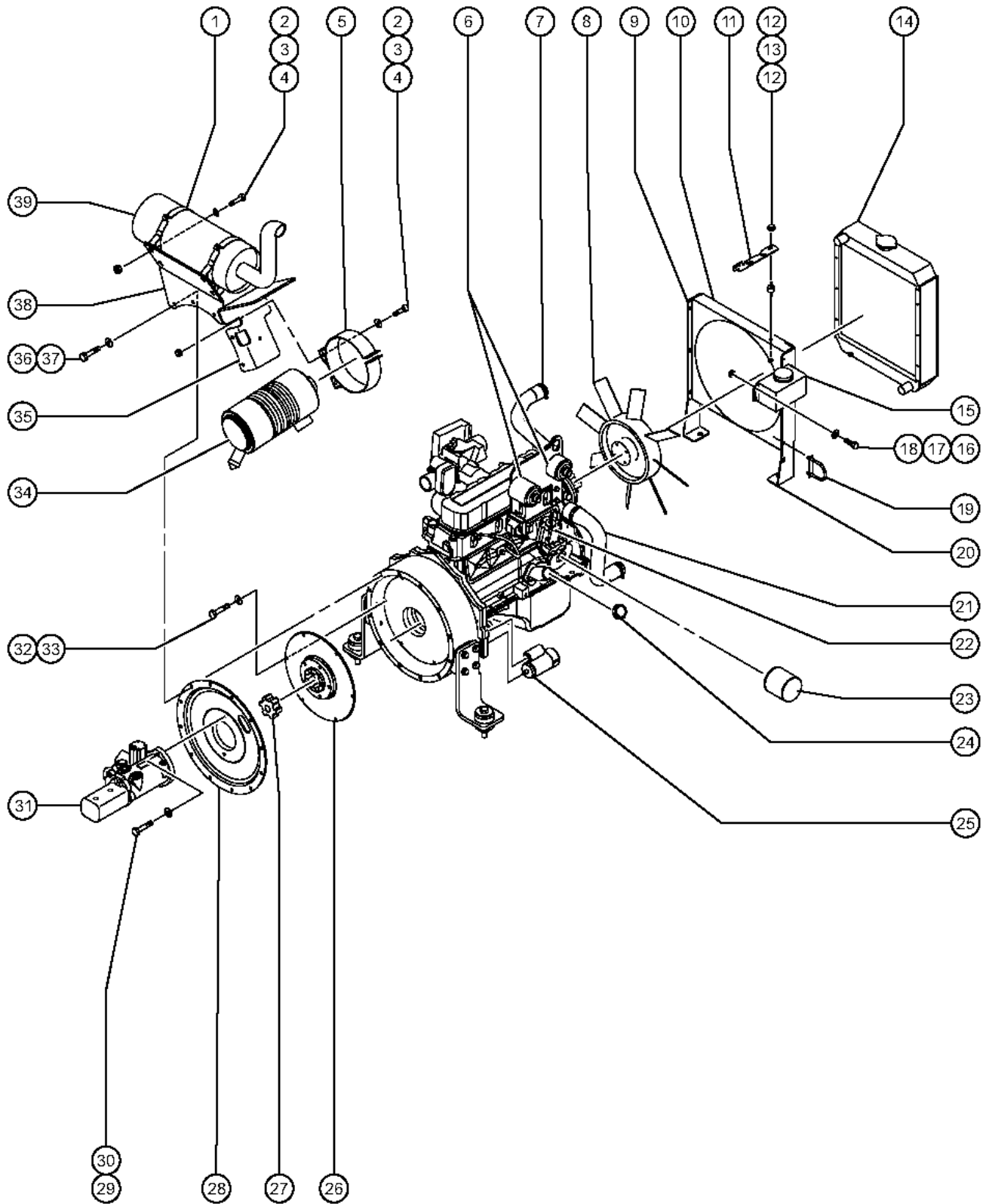
413.1 Deutz BF4L-2011 / TD2011-L014i Engine - View 2 (from SN 3773)



413.1 Deutz BF4L-2011 / TD2011-L014i Engine - View 2 (from SN 3773)

Item	Part No.	Description	Qty.	Item	Part No.	Description	Qty.
--	102581	PUMP,FUEL INJ,DEUTZ BF4L20 class A injection pump; provide SN of engine to service to get correct injection pump (A, B, C, D)		--	139621	KIT, HEAT GUARD, DEUTZ STARTER	
--	T108732	PUMP,FUEL INJ, DEUTZ BF4L20 class B injection pump; provide SN of engine to service to get correct injection pump (A, B, C, D)		13	30971	CLAMP,HOSE,3.00".....1	1
--	T108733	PUMP,FUEL INJ, DEUTZ BF4L20 class C injection pump; provide SN of engine to service to get correct injection pump (A, B, C, D)		14	226103	INLET REDUCER, TD 2011L04I.....1	1
--	T108734	PUMP,FUEL INJ, DEUTZ BF4L20 class D injection pump; provide SN of engine to service to get correct injection pump (A, B, C, D)		15	226104	BREATHER PIPE, TD 2011L04I.....1	1
--	128023	KIT,FBA STYLE COUPLER,SAE8 (replaces the Flex Plate and Pump Coupler)		--	226105	GASKET, BREATHER PIPE (226104)	
1	44064	SCREW,HHC,M10 X 30MM, (use with Flex Plate 33024)		16	22558	SCREW,HHC,M14 X 40MM,GR 8.8	
--	62476	SCREW,SHC,M10X1.5X20MM (75090) (use with Coupler 128004)		17	49411	WASHER,FLAT,M14	
2	22699	WASHER,FLAT,M10,ZINC PLTD. (use with Flex Plate 33024)		18	70454	WELDMENT,REAR ENGINE MOUNT.....1	1
3	70381	COVER,FLYWHEEL CASTING.....1	1	19	30489	CLAMP,HOSE,3.50	
4	37003	COUPLER,HUB,15 TOOTH 7/16BOLT*.....1 to SN 5940	1	20	146061	V-BELT GUARD, DEUTZ 2011.....1	1
5	33024	FLYWHEEL FLANGE,GREEN PLASTIC to SN 5940		21	Ref.	Engine Pivot Tray Assembly (refer to 423.1)	
--	128004	COUPLER,15 TOOTH,FBA,SAE8*** .....1 from SN 5941	1	22	13002	SCREW,HHC,5/16-18 X 1 GR5	
6	70483	FORMING,8.5' MUFFLER MOUNT.....2	2	23	5397	WASHER,FLAT,USS,5/16",Y	
7	70445	FLEX PIPE,EXHAUST,2.5" DIA.....1	1	24	6782	NUT,NYLOCK,5/16-18	
8	102593	CLAMP, 3 INCH		25	102209P	FORMING,AIR CLEANER MOUNT PNTD	
9	226106	RUBBER SLEEVES, TD 2011L04I		26	6019	SCREW,HHC,3/8-16 X 1.25 GRD 5	
10	49915	SOLENOID-STARTR DEUTZF4L1011F*.....1	1	27	4828	NUT,NYLOCK,3/8-16	
11	70456P	WELDMENT,REAR ENGINE MOUNT.....1	1				
12	139709	STARTER, 12V.....1	1				

414.1 GM 3.0L ELI Engine - View 1





414.1 GM 3.0L ELI Engine - View 1

Item	Part No.	Description	Qty.	Item	Part No.	Description	Qty.
--	58370	MAGNETIC SPEED SENSOR,GM 3.0		--	94902	SENSOR COOLANT TEMP	
--	58386	GM 3.0, LP REGULATOR		15	54071	COOLANT RETURN SYSTEM,Z45***.....1	
--	58412	SPARK PLUG WIRE SET,GM 3.0		--	72327	CAP, COOLANT RET SYS(54071)	
--	58413	COIL WIRE,GM 3.0		16	6090	SCREW,HHC,1/4-20 X .75	
--	65620	PCV VALVE-GM 3.0L ENGINE		17	6638	WASHER,FLAT,USS,1/4"Y	
--	65622	SPARK PLUG-GM 3.0L ENGINE		18	6091	NUT,NYLOCK,1/4-20	
--	65626	FILTER-FUEL, GM 3.0L ENGINE		19	16584	U-BOLT, KIT 5/16-18 X 2.5.....1	
--	65627	FILTER-LPG, GM 3.0L ENGINE		20	111352	GM OUTBOARD RADIATOR MT W/DECA.....1	
--	77536	PUMP,FUEL GM 3.0 ENG. C282-238		--	81732P	RADIATOR MOUNT,OUTBOARD,PAINTD	
--	77551	COIL-IGNITION/GM 3.0L ENGINE		21	81425	RADIATOR HOSE,LOWER-GM.....1	
--	77850	OIL PRESSURE SWITCH GM 3.0L		--	13014	CLAMP,HOSE,2.25" DIA.	
--	81837	FREEZE PLUG HEATER,GM 3.0L		22	77550	DISTRIBUTOR/GM 3.0L ENGINE....1	
1	53952	BRKT,AIR CLEANER ORIENTATION**.....2		--	65624	CAP-DISTRIBUTOR, GM 3.0L	
2	13000	SCREW,HHC,5/16-18 X 1.25		--	65625	ROTOR-DISTRIBUTOR, GM 3.0L	
3	5397	WASHER,FLAT,USS,5/16",Y		23	65623	FILTER-OIL,GM 3.0L ENGINE.....1	
4	6782	NUT,NYLOCK,5/16-18		--	88100	ADAPTER,OIL DRAIN,GM 3.0L	
5	53952	BRKT,AIR CLEANER ORIENTATION**.....1		24	77540	CAP, OIL FILLER-GM 3.0L ENGINE.....1	
6	77847	THROTTLE BODY.....1		25	83048	STARTER,GM 3.0L.....1	
--	146057	LPG REGULATOR (GM 3.0L)		26	81426	FLYWHEEL FLANGE,AUTO STYLE GM.....1	
--	83135	VAPORIZER REGULATOR PRIM 16.5		27	81427	COUPLER,HUB,6 TOOTH GM 3.0L.....1	
7	81424	RADIATOR HOSE,UPPER-GM.....1		28	61781	CASTING,SAE 4 PUMP MOUNT,MACHI.....1	
--	13014	CLAMP,HOSE,2.25" DIA.		29	8177	SCREW,HHC,1/2-13 X 1.5	
8	77821	FAN KIT ,GM 3.0 ENGINE.....1		30	13066	WASHER,FLAT,.5 HARDENED	
--	65621	BELT-FAN, GM 3.0L ENGINE		31		Ref. Drive Pump Assembly (refer to 709.1)	
9	81731P	RADIATOR MOUNT,INBOARD,PAINTED.....1		32	6175	SCREW,HHC,3/8-16 X 1	
10	81877P	SHROUD,RADIATOR,GM,PAINTED.1		33	6021	WASHER,LOCK,.375	
11	81861P	BRACKET,RADIATOR SUPPORT PAINT.....1		34	63463	AIR CLEANER,NELSON***.....1	
12	18503	NUT,LOCKING-LG.FLANGE,5/16-18		--	62420	FILTER,AIR***	
13	48498	ISOLATOR,AIR FILTER MOUNT.....1		35	81703P	BRACKET,AIR CLEANER,PAINTED.....1	
14	63462	RADIATOR,PERKINS,GM.....1		36	44064	SCREW,HHC,M10 X 30MM,	
--	65473	CAP,RADIATOR,PERKINS/FORD		37	22700	WASHER,LOCK,M10	
--	77541	THERMOSTAT-ENG TEMP/GM3.0L		38	81421P	BRACKET,MUFFLER MOUNT,PAINTED.....1	
--	77542	GASKET,WATER OUTLET/GM 3.0L					
--	77545	GASKET-THERMOSTAT/GM 3.0L ENGI					
--	84148	ENGINE COOLANT TEMP SENSOR GM					

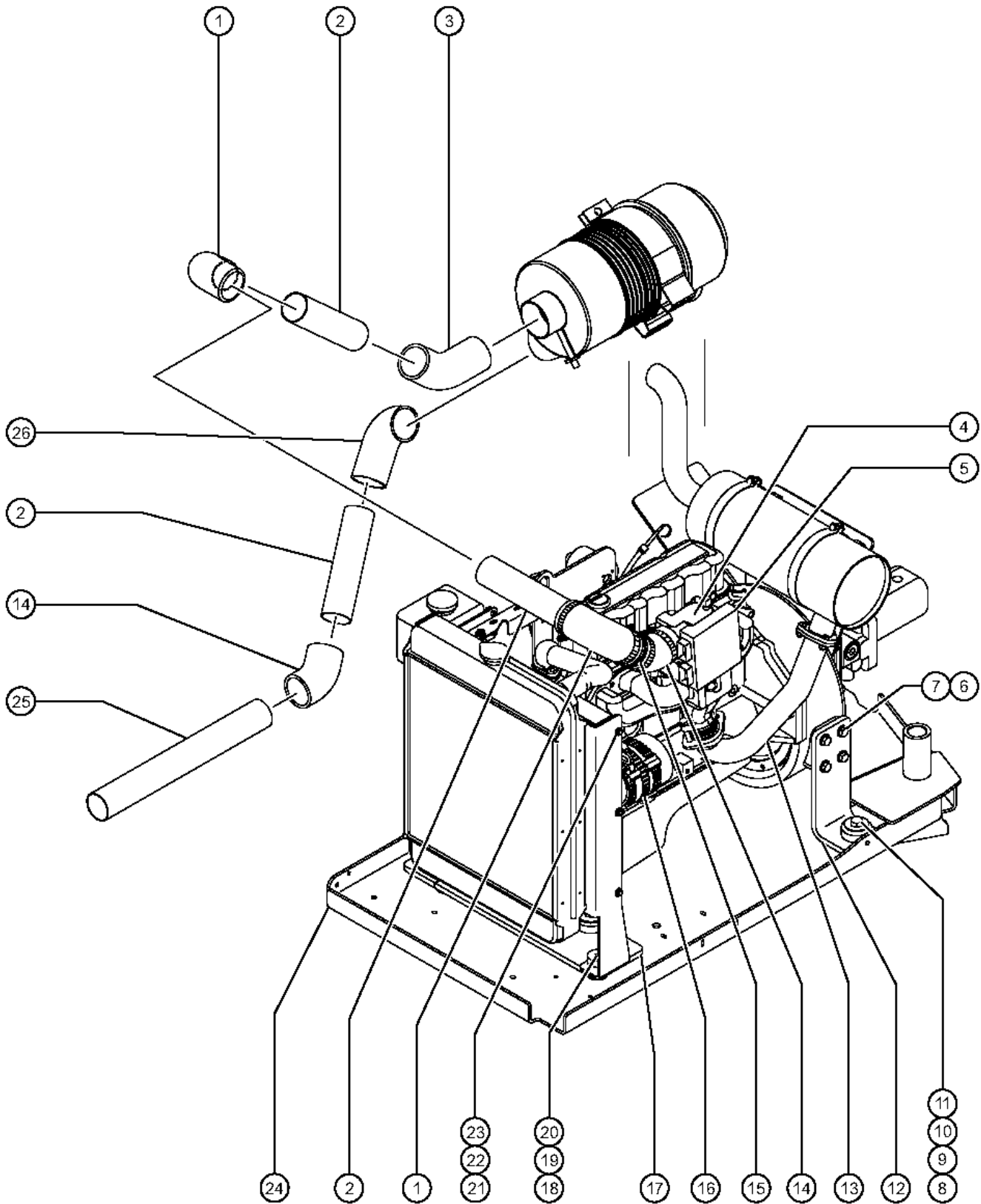


414.1 GM 3.0L ELI Engine - View 1  
(continued)

Item	Part No.	Description	Qty.
39	81420	MUFFLER, SPARK ARRESTING, GM.....	1
--	77543	GASKET, EXHAUST MANFLD/GM 3.0L	
--	77544	MANIFOLD-EXHAUST/GM 3.0L ENGIN	

*This Page Intentionally Left Blank*

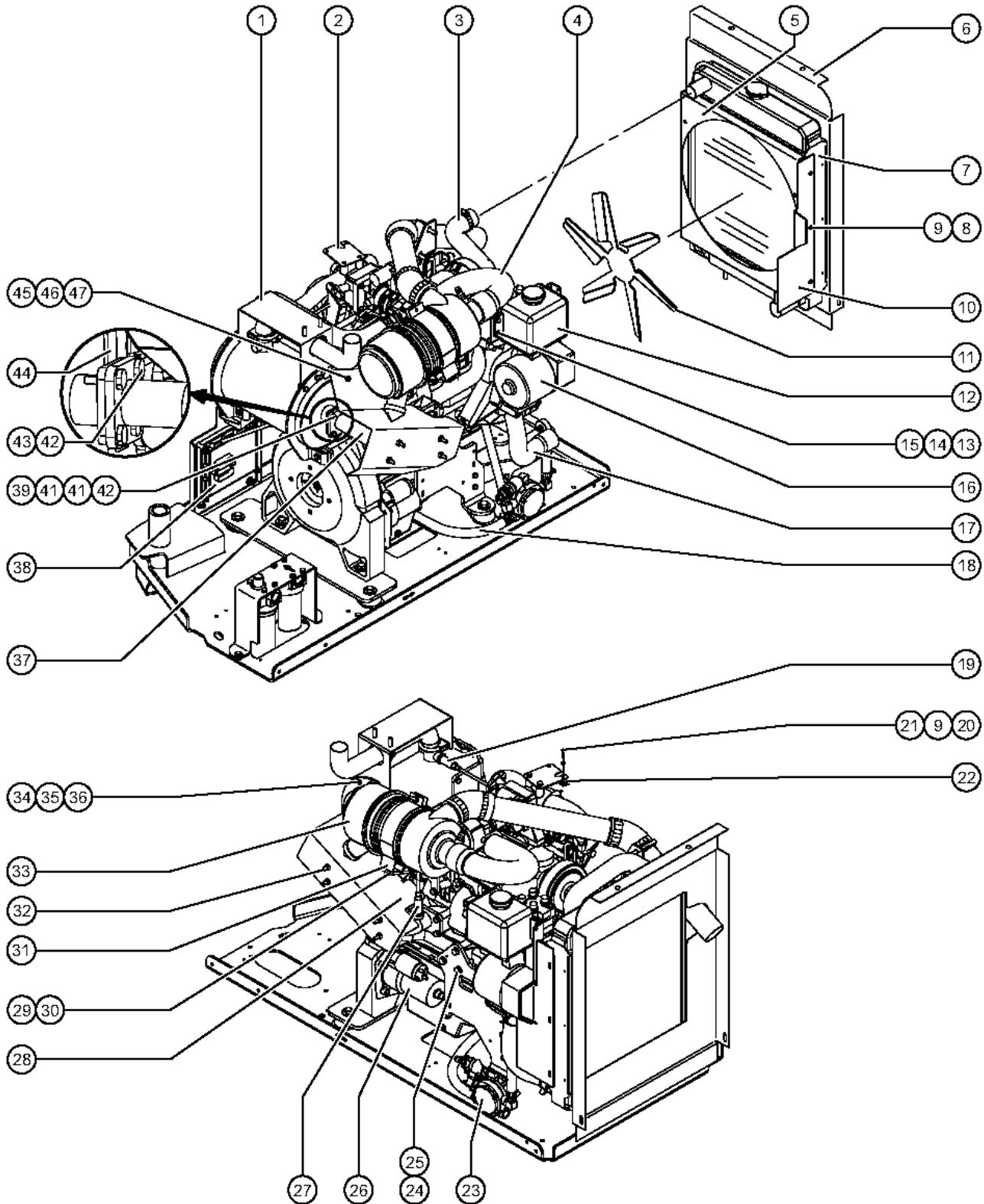
415.1 GM 3.0L EFI Engine - View 2



415.1 GM 3.0L EFI Engine - View 2

Item	Part No.	Description	Qty.	Item	Part No.	Description	Qty.
--	62279	HRNESS, ENGINE, GM BIG BOOM		20	4828	NUT,NYLOCK,3/8-16	
--	77921	HARNES #8AWG ALT.TO STARTER <i>from SN 3488</i>		21	6888	SCREW,HHC,1/4-20 X 1	
--	77957	HARNES,GM ENGINE <i>from SN 3488</i>		22	6638	WASHER,FLAT,USS,1/4"Y	
--	81457	HARNES,GM ENGINE <i>to SN 3487</i>		23	6091	NUT,NYLOCK,1/4-20	
1	34164	ELBOW,90 DEGR,RUBBER,2.5" I.D.*.....	2	24		Ref. Engine Tray (refer to 420.1)	
--	30971	CLAMP,HOSE,3.00"		25	35067-2700	TUBE,RD,ALUM 2.5 X .083.....	1
2	35067-950	TUBE,RD,ALUM 2.5 X .083.....	3	26	50941	HOSE,90DEG 2.5" AIR INTAKE.....	1
3	60036	6782,AIR INTAKE,FORD EFI.....	1				
--	30971	CLAMP,HOSE,3.00"					
4	77847	THROTTLE BODY.....	1				
--	77848	INJECTOR,FUEL W/ORINGS GM3.0L					
--	77849	INJECTOR,LPG W/ORINGS GM3.0L					
5	62278	ELEC. CONTROL MODULE, GM BB.....	1				
6	49381	SCREW,HHC,M12 X 30					
7	49410	WASHER,FLAT,M12					
8	53909	SCREW,HHC,5/8-11 X 4.0 GR8.....	4				
9	33418	WASHER,FLAT,.625 X 2.25 X.15					
10	102045	ISOLATOR,ENGINE VIBRATION.....	4				
11	6024	NUT,NYLOCK,5/8-11					
12	81417P	ENGINE MOUNT,LR,GM 3.0 PAINTED.....	1				
--	81418P	ENGINE MOUNT,RR,GM 3.0 PAINTED					
13	81481	WELDMENT,HEAD PIPE,GM.....	1				
--	65503	GASKET,MUFFLER PERKINS(53883)					
14	33361	ELBOW,45 DEGR,RUBBER,2.5" I.D.....	2				
--	30971	CLAMP,HOSE,3.00"					
15	35067-200	TUBE,RD,ALUM 2.5 X .083 X 2.00.....	1				
16	77822	ALTERNATOR, GM3.0L ENGINE.....	1				
--	65621	BELT-FAN, GM 3.0L ENGINE					
17	81419	WELDMENT,FRONT ENGINE MOUNT.....	1				
18	8516	SCREW,HHC,3/8-16 X 1.50,GR5					
19	6097	WASHER,FLAT,USS,3/8",Y					

416.1 Ford LRG-425 EFO Engine - View 1



416.1 Ford LRG-425 EFO Engine - View 1

Item	Part No.	Description	Qty.	Item	Part No.	Description	Qty.
--	102339	HARNES,FORD ENGINE,EFI,2004		16	33960	ALTERNATOR,LRG-423	
--	106605	HARNES,ENGINE W/RELAY BOX T2				RE-BUILT*.....	1
--	128903	JUMPER,THROTTLE BODY,FORD 2.5L		17	77170	HOSE,LOWER RADIATOR,Z45.....	1
--	65770	BELT,TIMING,FORD LRG423/425EFI.....	1	--	22672	CLAMP,HOSE,1.75	
--	77219	PUMP, FUEL, LRG425, WALBRO		18	50948	HOSE ASSEMBLY,LP GAS,106"LG.....	1
1	102307	FORMING,HEAT SHIELD.....	1	19	106486	SENSOR,AIR,CAT MONITOR***.....	1
2	53821P	BRACKET,MAP SENSOR,PAINTED.....	1	20	49817	SCREW,PHILLIPS,PHM,10-32 X1.25	
3	54862	HOSE, UPPER RADIATOR.....	1	21	6178	NUT,NYLOCK,10-32	
--	22672	CLAMP,HOSE,1.75		22	49898	MAP SENSOR, EFI.....	1
4	88847	HOSE,AIR CLEANER TO INTAKE.....	1	23	70525	REGULATOR,LPG.....	1
--	35434	CLAMP,HOSE,2.00***		--	102073	ELBOW,90 DEG,3/8NPT X 1/2 FNPT	
--	45435	CLAMP,HOSE,2.50****		--	102074	ELBOW,90DEG, .63 HS X.375 MPT	
5	54598P	SHROUD,RADIATOR,FORD LGR425,PA.....	1	--	19363	ELBOW,130239-4-4	
6	70493P	FORMING,RAD.BAFFLE,FORD S80 P.....	1	--	88757	VALVE,LP LOCKOUT W/CONN***	
7	110304	RADIATOR,FORD/PERKINS***.....	1	23A	102119	HOSE,3/4,LP.....as needed from regulator to mixer	
--	15086	WASHER,FLAT,.375 X 1.5 X .125		24	44064	SCREW,HHC,M10 X 30MM,	
--	24038	SHOCK MOUNT,SMALL		25	22700	WASHER,LOCK,M10	
--	4828	NUT,NYLOCK,3/8-16		26	29616	STARTER,ENGINE,FORD LSG/LRG***.....	1
8	21019	SCREW,PHIL,PHM,10-24 X.5,SEMS		27	52652	SENSOR,AIR TEMP,LRG-425 EFI***.....	1
9	6146	WASHER,FLAT,MS,#10,Y		28	102118	FORMING,HEAT SHIELD,FORD.....	1
10	102976	COOLANT MOUNT W/DECAL FORD.....	1	29	10107	SCREW,HHC,5/16-18 X .75	
--	102010P	FORMING,FAN GUARD,FORD,PAINTED		30	6782	NUT,NYLOCK,5/16-18	
11	52076	FAN, LSG423/LRG425.....	1	31	53952	BRKT,AIR CLEANER ORIENTATION**.....	1
--	49408	WASHER,LOCK,M8		32	32064	CLAMP,MUFFLER,1.75 INCH.....	2
--	70489	SPACER,FAN TO WATERPUMP LRG425		33	111634	AIR CLEANER,FORD,T3.....	1
--	75185	SCREW,HHC,M8X1.25X 70MM,GR8.8		--	227988	VACUATOR VALVE	
12	70367	BOTTLE,COOLANT RECOVERY,3.7***.....	1	--	38922	ELBOW,90DEG.1/8MPT-5/16 BARB	
--	115431	CAP ASSY,COOLANT BOTTLE***		--	58247	AIR CLEANER CAP/ FORD/NOLFF	
13	6090	SCREW,HHC,1/4-20 X .75		--	77295	FILTER ELEMENT,AIR,NOLFF LPG	
14	6638	WASHER,FLAT,USS,1/4"Y		34	6175	SCREW,HHC,3/8-16 X 1	
15	6091	NUT,NYLOCK,1/4-20		35	6097	WASHER,FLAT,USS,3/8",Y	
				36	4828	NUT,NYLOCK,3/8-16	
				37	89973	EXHAUST PIPE ASSEMBLY, FORD.....	1
				--	102134	GASKET,EXHAUST FORD TIER II	
				38	106487	ENGINE PERFORMANCE MODULE T2.....	1

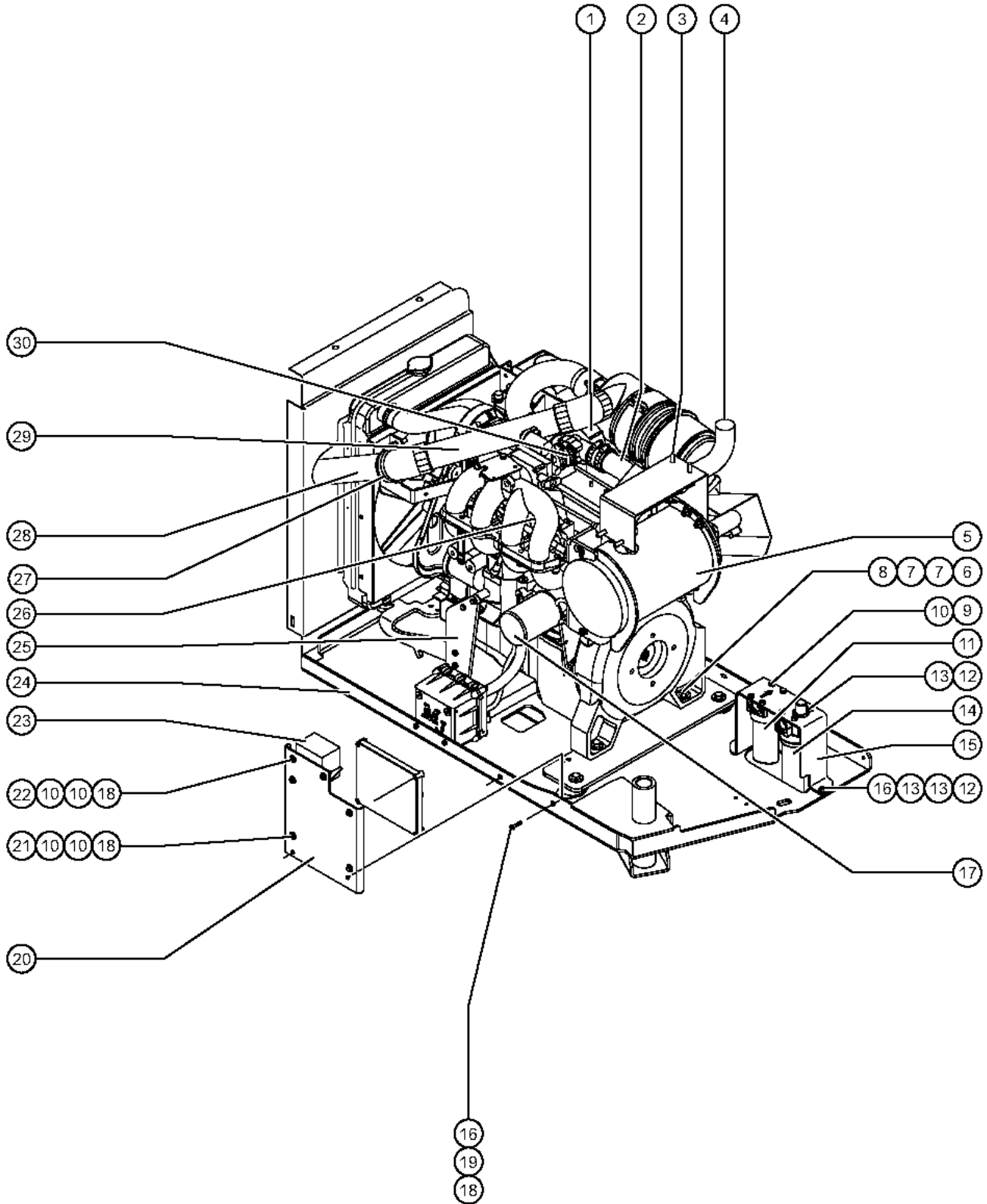
416.1 Ford LRG-425 EFO Engine - View 1  
(continued)

Item	Part No.	Description	Qty.
39	13000	SCREW,HHC,5/16-18 X 1.25	
40	5397	WASHER,FLAT,USS,5/16",Y	
41	72343	GASKET,EXH FLANGE-PERKINS54555.....1	
42	18503	NUT,LOCKING-LG.FLANGE,5/16-18	
43	61741	SCREW,HHC,5/16-18 X 1.50	
44	102779P	FORMING,HEAT SHLD SUPPORT,PTD.....1	
45	8255	SCREW,HHC,3/8-16 X .75	
46	6021	WASHER,LOCK,.375	
47	4828	NUT,NYLOCK,3/8-16	



***This Page Intentionally Left Blank***

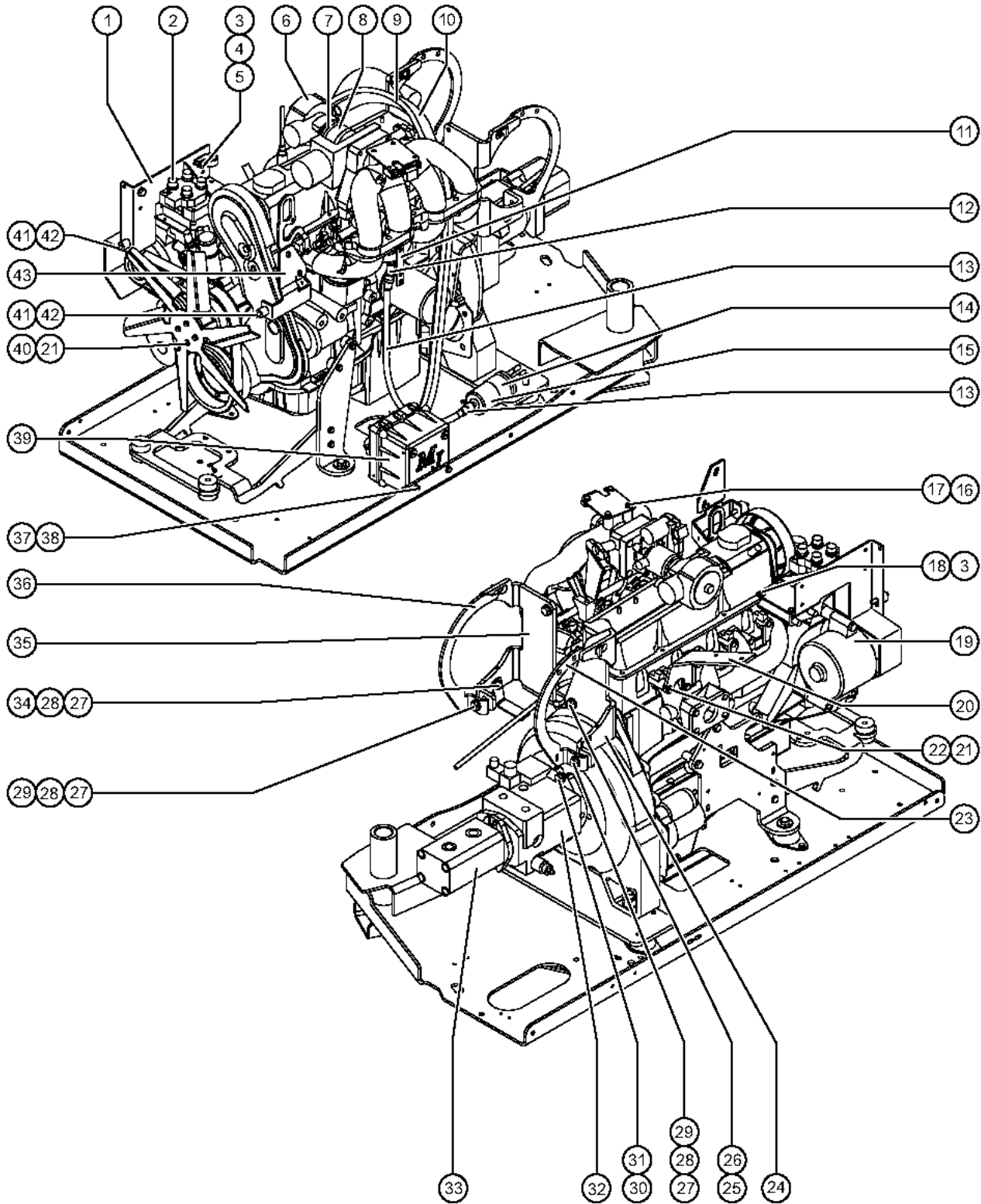
417.1 Ford LRG-425 EFI Engine - View 2



417.1 Ford LRG-425 EFI Engine - View 2

Item	Part No.	Description	Qty.	Item	Part No.	Description	Qty.
1	106485	MIXER,AIR VALVE,TIER II FORD**.....	1	25	101118P	ENGINE MOUNT FOOT,LH PNTD.....	1
2	34162-400	Air Intake Hose.....	2	26	30810	SENDING UNIT,OIL PRESSURE***.....	1
3	102121	CLAMP,MUFFLER,1-7/8 IN.....	2			<i>dual-terminal sender</i>	
4	70420	TAILPIPE,FORD LRG 425.....	1	27	71911	CLAMP,MUFFLER, 2.50 INCH.....	1
--	106486	SENSOR,AIR,CAT MONITOR***		28	102103	TUBE,INTAKE,2.50 OD X 13".....	1
5	106178	WELDMENT,MUFFLER,FORD TIER2.....	1	--	33361	ELBOW,45 DEGR,RUBBER,2.5"I.D.	
6	22788	SCREW,HHC,1/2-13 X 1.75		--	45435	CLAMP,HOSE,2.50****	
7	6095	WASHER,FLAT,USS,1/2",Y.....	4	29	102104	TUBE,INTAKE,2.50 OD X 15.63".....	1
8	6198	NUT,NYLOCK,1/2-13.....	4	--	33361	ELBOW,45 DEGR,RUBBER,2.5"I.D.	
9	6888	SCREW,HHC,1/4-20 X 1		--	45435	CLAMP,HOSE,2.50****	
10	6638	WASHER,FLAT,USS,1/4"Y		30	102117	HOSE,2.0 ID X 2.0" LG.....	1
11	77139	FILTER ASY,M PRESS,SAE8,WOIND*.....	1				
--	60857	FILTER,ELEMENT,BETA(5)=1000					
12	6175	SCREW,HHC,3/8-16 X 1					
13	5397	WASHER,FLAT,USS,5/16",Y					
14	60334	FILTER ASSY,HIGH PRESS SAE-12*.....	1				
--	58222	O-RING,FILTER ASSY (60334)***					
--	58223	SEAL,FILTER ASSY (60334)***					
--	60857	FILTER,ELEMENT,BETA(5)=1000					
15	81005P	BRACKET,FILTER MOUNT,PAINTED.....	1				
16	4828	NUT,NYLOCK,3/8-16					
17	28656	FILTER,OIL,FORD.....	1				
--	1259054	FILTER, OIL, FORD <i>Genie aftermarket</i>					
18	6175	SCREW,HHC,3/8-16 X 1					
19	6097	WASHER,FLAT,USS,3/8",Y					
20	70425P	FORMING,ECM MOUNT PAINTED.....	1				
21	6637	SCREW,HHC,1/4-20 X 1.75					
22	6090	SCREW,HHC,1/4-20 X .75					
23	106605	HARNESSE,ENGINE W/RELAY BOX T2.....	1				
--	128903	JUMPER,THROTTLE BODY,FORD 2.5L					
24		Ref. Engine Pivot Tray Assembly with Bearings <i>(refer to 420.1)</i>					

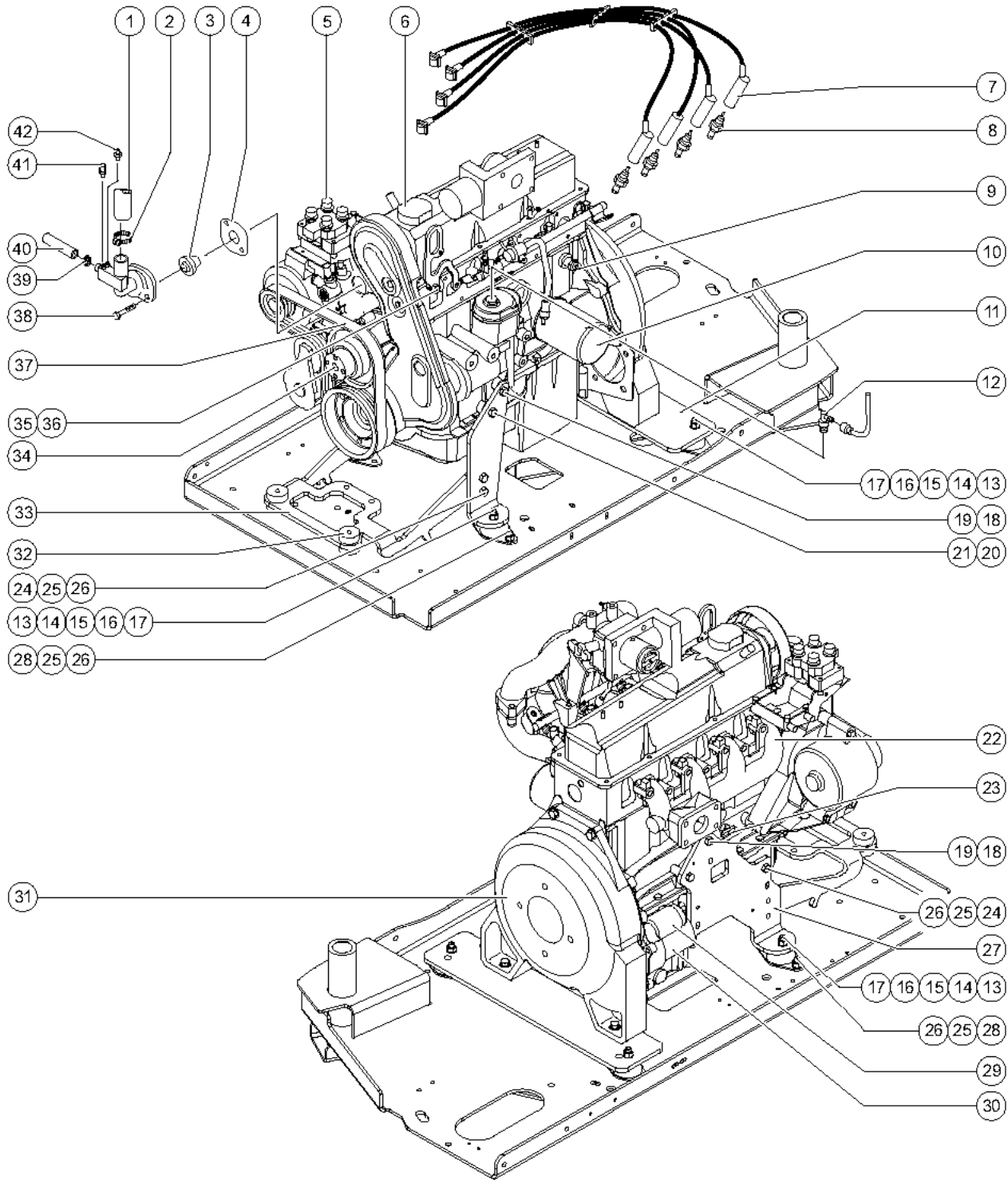
418.1 Ford LRG-425 EFI Engine - View 3



418.1 Ford LRG-425 EFI Engine - View 3

Item	Part No.	Description	Qty.	Item	Part No.	Description	Qty.
1	89921	WELDMNT,COOLANT BOTTLE MOUNT.....	1	29	4828	NUT,NYLOCK,3/8-16	
2	33970	COIL, ELECTRONIC IGN., FORD...1		30	8177	SCREW,HHC,1/2-13 X 1.5	
3	67537	SCREW,HHC,M5 X 12MM		31	13066	WASHER,FLAT,.5 HARDENED.....	2
4	6091	NUT,NYLOCK,1/4-20		32		Ref. M46 Drive Pump Assembly (refer to 707.1)	
5	6833	CLAMP,0.50,#8 X 1/4,RUB CUSH....	1	33		Ref. Lift/Steer Pump (refer to 707.1)	
6	106485	MIXER,AIR VALVE,TIER II FORD** .....	1	34	6019	SCREW,HHC,3/8-16 X 1.25 GRD 5	
7	35434	CLAMP,HOSE,2.00*** .....	2	35	101127P	FORMING,LH MUFFLER SUPPORT PNT .....	1
8	102117	HOSE,2.0 ID X 2.0" LG.....	1	36	101128P	FORMING,MUFFLER CLAMP, PAINTED.....	1
9	102120	HOSE,1/4 VACUUM.....	1	37	22578	SCREW,HHC,M6 X 20MM,GR8.8	
10	102119	HOSE,3/4,LP.....8-inches from regulator to mixer		38	25926	WASHER,FLAT,M6 PLTD.	
11	102065P	BAR,HARNESS CONNECTOR MOUNT.....	1	39	70527	MEGAJECTOR,FUEL KIT.....	1
12	65892	CONN. ASSY,7.9 TUBE X6.35 HOSE.....	1	--	106941	Jumper Harness	
13	71909	HOSE,FUEL,5/16 HIGH PRESSURE**		40	75185	SCREW,HHC,M8X1.25X 70MM,GR8.8	
14	65453	BRACKET-FUEL FILTER (52567)....	1	41	48498	ISOLATOR,AIR FILTER MOUNT....	2
--	6091	NUT,NYLOCK,1/4-20		42	18503	NUT,LOCKING-LG.FLANGE,5/16-18.9	
--	6638	WASHER,FLAT,USS,1/4"Y		43	102013P	FORMING,RADIATOR SUPPORT,LH.....	1
--	6888	SCREW,HHC,1/4-20 X 1		--	102794	SCREW,HHC,M8 X1.25X40,GRD10.9	
15	58967	FUEL PRESSURE REG,425EFI*** .....	1	--	33277	WASHER,FLAT,M8,YELLOW ZINC	
16	23057	SCREW,HHC,M8 X 20MM					
--	32339	CLAMP,1.75,#28 X 3/8,RUB CUSH*					
17	49408	WASHER,LOCK,M8					
18	49407	WASHER,LOCK,M6					
19	33960	ALTERNATOR,LRG-423 RE-BUILT* .....	1				
20	89917P	PLATE,AIR FILTER MOUNT,FORD.....	1				
21	10107	SCREW,HHC,5/16-18 X .75					
22	6782	NUT,NYLOCK,5/16-18					
23	106271P	CLAMP,FORD MUFFLER,PAINTED.....	1				
24	101126P	FORMING,RH MUFFLER SUP PAINTED.....	1				
25	25548	SCREW,HHC,M10 X 40MM,GRD8					
26	22700	WASHER,LOCK,M10					
27	14033	SCREW,HHC,3/8-16 X 2.75					
28	6097	WASHER,FLAT,USS,3/8",Y					

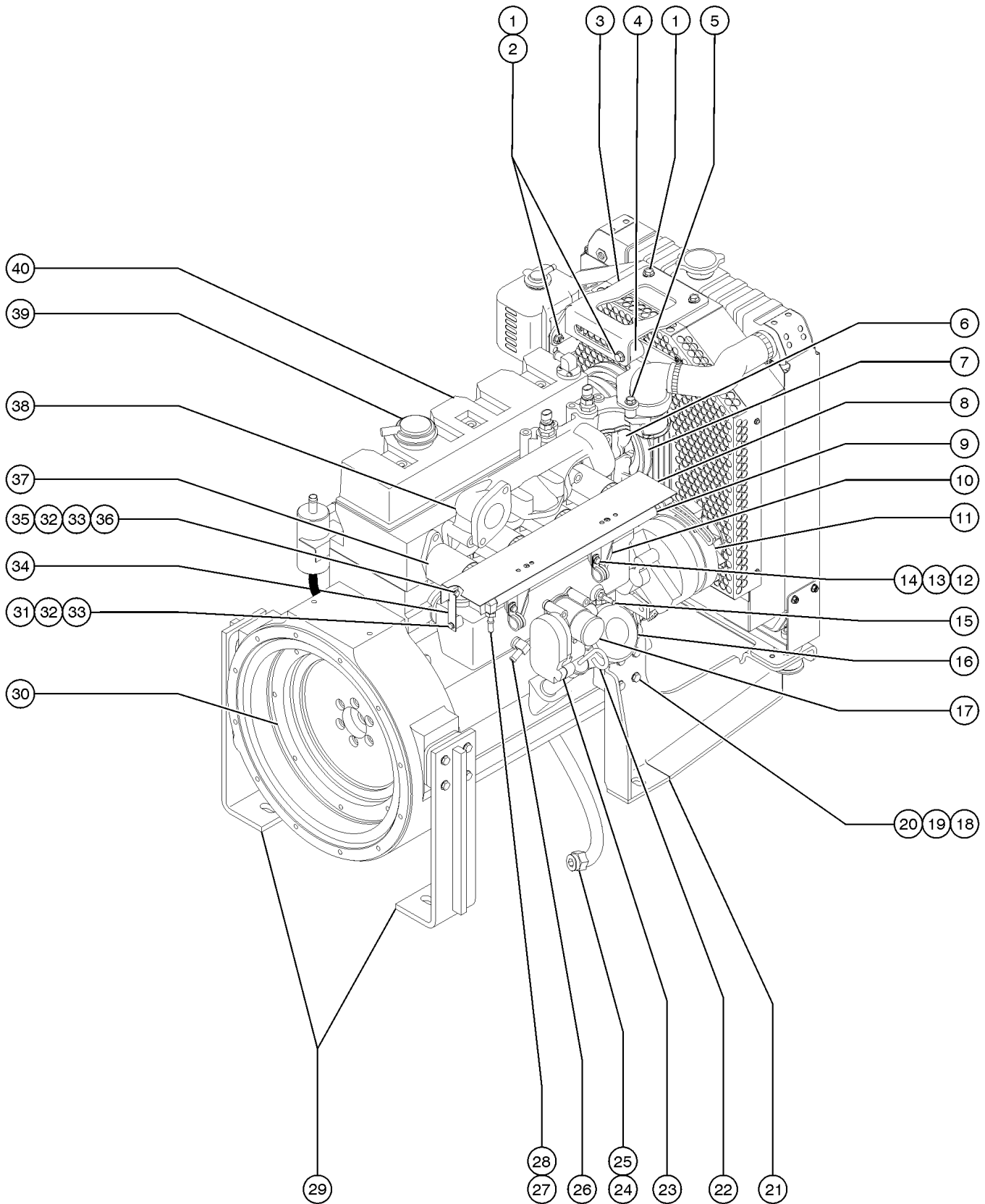
419.1 Ford LRG-425 EFI Engine - View 4



419.1 Ford LRG-425 EFI Engine - View 4

Item	Part No.	Description	Qty.	Item	Part No.	Description	Qty.
1	Ref.	HOSE,UPPER RADIATOR,Z45.....1 <i>refer to 416.1</i>	1	30	29616	STARTER,ENGINE,FORD LSG/LRG***.....1	1
2	22672	CLAMP,HOSE,1.75.....1	1	31	64079	BELL HOUSING KIT, FORD 425EFI.....1 <i>kit includes; 89811 Pump Mount Housing, 89813 Flex Plate, 37003 15 tooth Hub Coupler, and 102136 Screws 7/16-14 X 1.25</i>	1
3	33966	THERMOSTAT, FORD LRG.....1	1	--	102136	SCREW,SHC,7/16-14 X 1.25	
4	52575	GASKET,THERM.HSNG O-RING....1	1	--	37003	COUPLER,HUB,15 TOOTH 7/16BOLT*	
5	33970	COIL, ELECTRONIC IGN., FORD...1	1	--	89811	HOUSING,PUMP MOUNT (64079)	
6	49881	OIL FILLER CAP FOR LRG ENGINE.....1	1	--	89813	FLEX PLATE,COUPLER (64079)	
7	52570	SPARK PLUG WIRE SET, LRG425EFI.....1	1	32	24038	SHOCK MOUNT,SMALL.....4	
8	106490	SPARK PLUG.....4	4	--	15086	WASHER,FLAT,.375 X 1.5 X .125	
9	89812	SWITCH,OIL PRESSURE ASSY.....1	1	--	4828	NUT,NYLOCK,3/8-16	
10	28656	FILTER,OIL,FORD.....1 <i>Genie genuine part</i>	1	33	101121P	FORMING,RADIATOR SUP PNTD.....1	
--	1259054	FILTER, OIL, FORD <i>Genie aftermarket</i>		34	33963	PUMP, WATER, WITH GASKET.....1	
11	70423P	REAR ENGINE MOUNT,PAINTED.....1	1	--	33964	GASKET, WATER PUMP	
12	33957	VALVE,PCV-FORD LRG*** .....1	1	--	52078	PULLEY,FORD ENGINE,LRG-423***	
13	6198	NUT,NYLOCK,1/2-13		35	102794	SCREW,HHC,M8 X1.25X40,GRD10.9	
14	39479	SCREW,HHC,1/2-13 X 2.75		36	33277	WASHER,FLAT,M8,YELLOW ZINC	
15	70452	ISOLATOR,ENGINE VIBRATION*** .....4	4	37	52580	BELT,SERPENTINE,LRG425 EFI*** .....1	1
16	6095	WASHER,FLAT,USS,1/2",Y		--	65770	BELT,TIMING,FORD LRG423/425EFI	
17	102066P	CASTING,WASHER,REBOUND,PAINTED		38	65454	BOLT-FLANGE,M6 X 22MM(52573)	
18	44064	SCREW,HHC,M10 X 30MM,		39	13014	CLAMP,HOSE,2.25" DIA.....1	
19	22700	WASHER,LOCK,M10		40	72358	WATER INLET TUBE, FORD.....1	
20	25929	SCREW,HHC,M8 X 30MM,GRD 8.8		41	33972	SENSOR,COOLANT TEMP* .....1	
21	49408	WASHER,LOCK,M8		42	65456	SENDING UNIT-H20TMP LRG425EFI*.....1	1
22	58321	EXHAUST MANIFOLD,FORD TIER II.....1	1				
--	102134	GASKET,EXHAUST FORD TIER II					
23	28717	VALVE,DRAIN,FORD,BLOCK,RAD..1	1				
24	8516	SCREW,HHC,3/8-16 X 1.50,GR5					
25	6097	WASHER,FLAT,USS,3/8",Y					
26	4828	NUT,NYLOCK,3/8-16					
27	101119P	ENGINE MOUNT FOOT,RH PNTD.....1	1				
28	6175	SCREW,HHC,3/8-16 X 1					
29	27920	RELAY, STARTER, Z45GP91.....1	1				
30	29606	RING GEAR,FORD*** <i>FITS LSG-LRG 423, AND LRG425</i>					

420.1 Continental TME-27 Engine - View 1

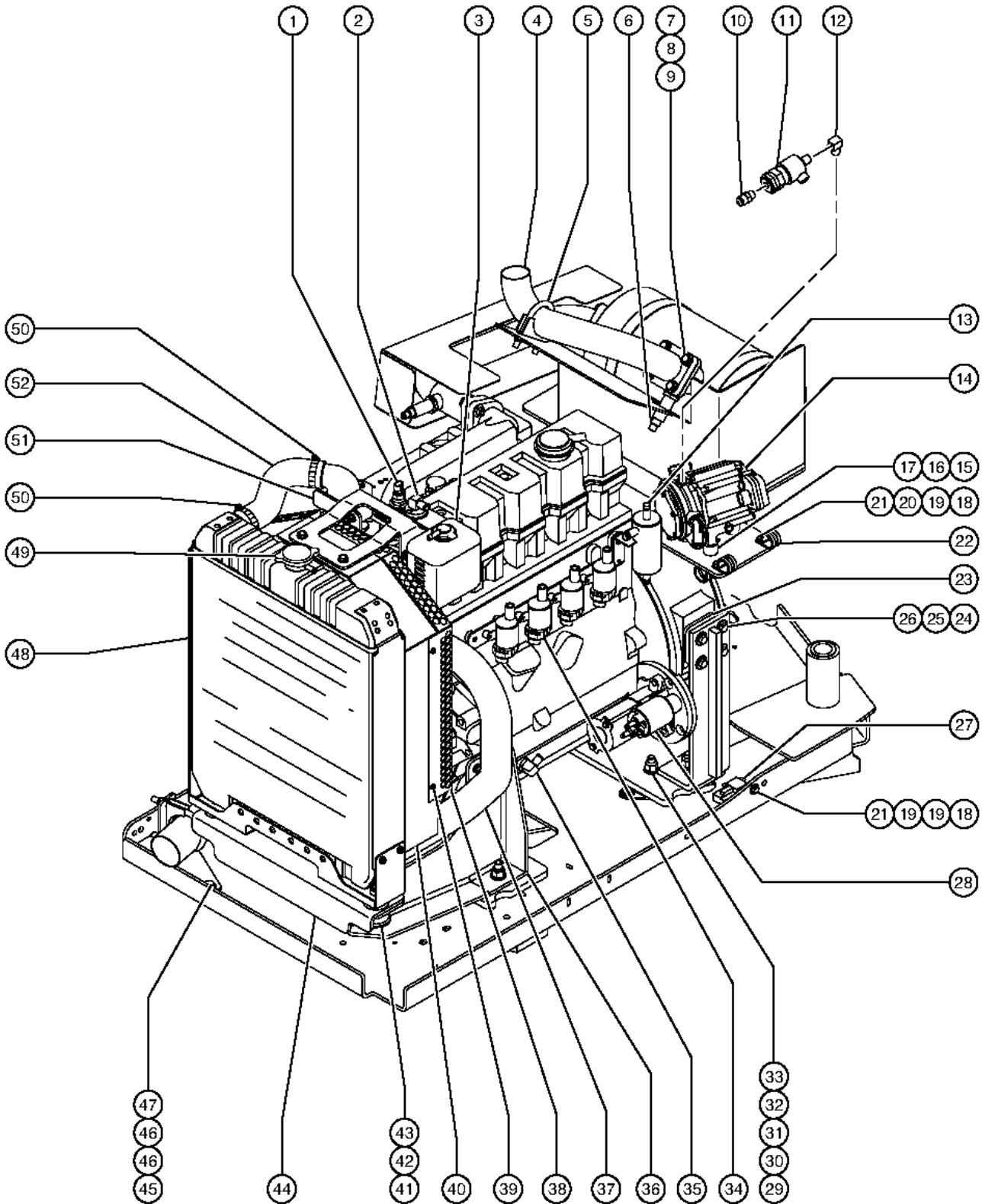




420.1 Continental TME-27 Engine - View 1

Item	Part No.	Description	Qty.	Item	Part No.	Description	Qty.
--	111836	SPARK PLUG WIRE,TME27		18	22558	SCREW,HHC,M14 X 40MM,GR 8.8	
--	111839	HARNESS,CONTINENTAL ENG,TME27		19	37505	WASHER,LOCK,M14	
--	111840	HARNESS,TME27 STARTER RELAY		20	67723	WASHER,FLAT,M14 HARDENED	
--	111890	SPARK PLUG, NGK BPR5ES		21	111847	ENGINE MOUNT,RIGHT FRONT,TME27.....1	
--	111894	FAN SPACER,29.7MM		22	111845	DIPSTICK,CONTINENTAL,TME27..1	
--	111903	SWITCH, LOW OIL PRESS, TME27		23	111922	THROTTLE,ELECTRIC,TME2.7L ENG.....1	
--	111923	FAN, TME2.7L ENGINE		24	111859	FITTING PLUG,#8.....1	
--	122263	HARNESS, DUAL BATT,CONTINENTAL <i>from SN 6162</i>		25	111860	HOSE ASSY,OIL DRAIN,TME27	
--	28607	ADAPTER,140139-8-6		26	31817	ELBOW,90DEG.1/4MPT-3/8 BARB.....1	
--	30810	SENDING UNIT,OIL PRESSURE*** <i>dual-terminal sender</i>		27	111818	FITTING,1/4 NPT X SAE J2044.....1	
1	80358	SCREW,FHS,M8 X 1.25 X 16		28	19363	ELBOW,130239-4-4.....1	
2	59579	NUT, HEX FLANGE M 8 X 1.25		29	111857	ENGINE MOUNT,REAR,TME27....1	
3	111854	BRACKET,RADIATOR SUP,TME27.....1		30	111885	FLYWHEEL CONTINENTAL TME27.....1	
4	111853	ISOLATOR,VIB, 32 X 32 M8-1.25.....1		31	49376	SCREW,HHC,M6 X 25	
5	49398	SCREW,FHS,M8 X 1.25 X 30		32	49407	WASHER,LOCK,M6	
6	111884	WATER PUMP, CONTINENTAL TME27.....1		33	25926	WASHER,FLAT,M6 PLTD.	
--	111883	WATER PUMP GASKET		34	111827	BRACKET,HEAT SHIELD REAR,TME27.....1 <i>shown</i>	
7	111918	BELT,FEAD, TME 2.7L ENGINE.....1		--	111826	BRACKET,HEAT SHIELD,FRNT,TME27	
--	111841	PULLEY,CRANKSHAFT,TME27		35	49375	SCREW,HHC,M6 X 16	
--	111842	WASHER,CRANKSHAFT,TME27		36	55017	NUT,HEX, M6	
--	111843	BOLT,CRANKSHAFT,TME27		37	111829	HEAT SHIELD INJECTOR,TME27.....4	
--	111867	WHEEL, CRANK POSITION		--	111807	INJECTOR,FUEL,CONT,TME2.7L	
--	22700	WASHER,LOCK,M10		38	111888	MANIFOLD,EXHAUST,TME27.....1	
--	27034	SCREW,HHC,M10 X 25MM,GR 8.8		--	111895	GASKET,EXHAUST 2INCH,2BOLT	
8	111824	HEAT SHIELD,FUEL RAIL,TME27.....1		39	111837	CAP,OIL FILL,TME27.....1	
9	111822	FUEL RAIL, TME27.....1		--	42280	CLAMP,HOSE,.50	
10	111825	SPACER,HEAT SHIELD,TME27.....2		40	236449	VALVE COVER,TME27	
11	111924	ALTERNATOR,TME2.7L ENGINE....1		--	236450	GASKET,CYL HEAD COVER,TME27	
12	49375	SCREW,HHC,M6 X 16					
13	49407	WASHER,LOCK,M6					
14	13268	CLAMP,0.75,#12 X 1/4,RUB CUSH.....2					
15	111838	FITTING,STR,1/8NPT X 3/16 HB.....1					
16	111917	OIL FILTER,TME 2.7L ENGINE.....1					
17	111919	ADAPTER,MIXER, TME27.....1					

421.1 Continental TME-27 Eninge - View 2



421.1 Continental TME-27 Eninge - View 2

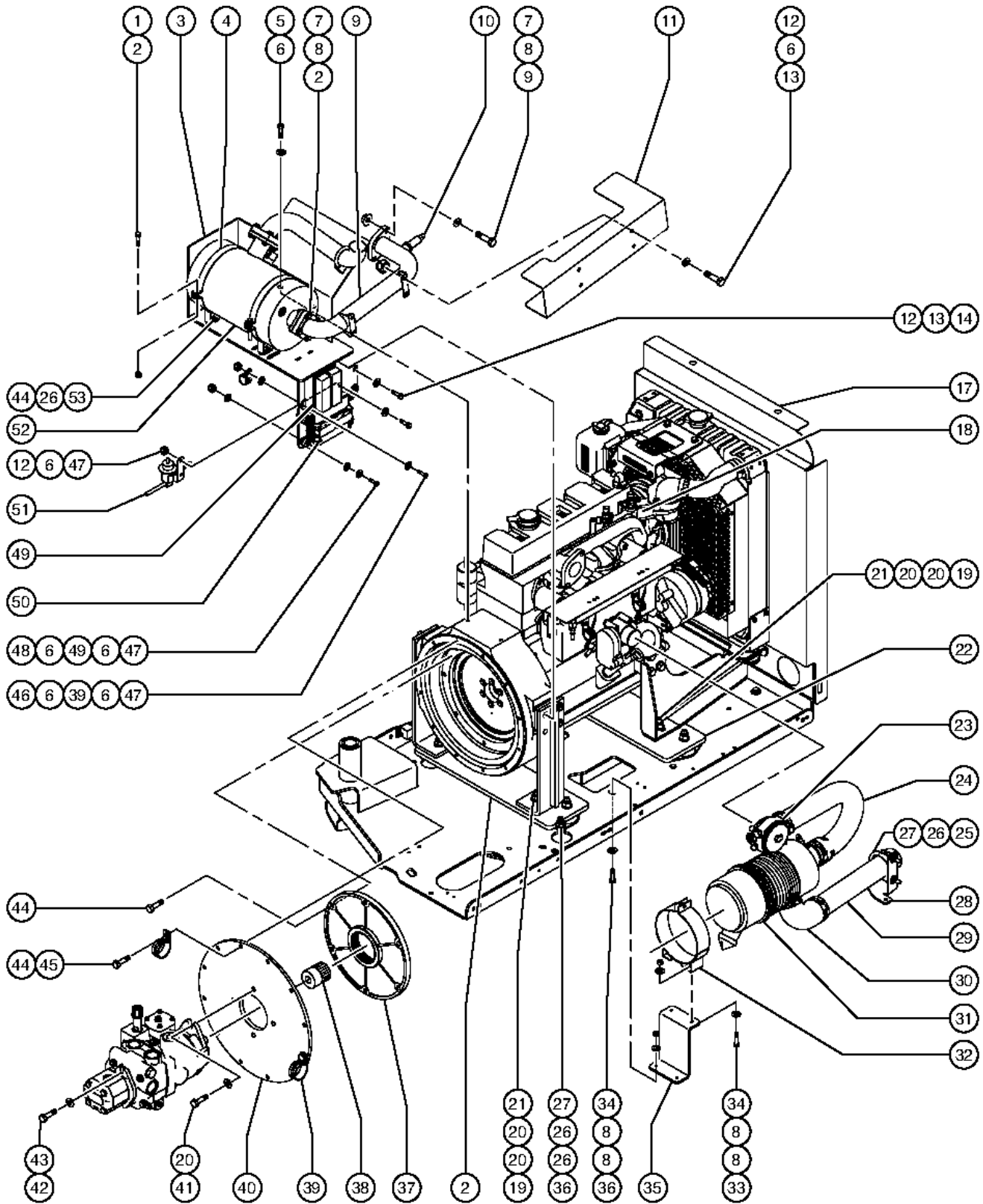
Item	Part No.	Description	Qty.	Item	Part No.	Description	Qty.
1	111882	SENSOR,ENGINE TEMP,TME27.....1		29	10598	SCREW,HHC,1/2-13 X 3	
2	236451	ELBOW,1/2"H X 3/8"P,TME27.....1		30	102066P	CASTING,WASHER,REBOUND,PAINTED.2	
--	236452	FITTING,PCV TO VLV COVER,TME27		31	70452	ISOLATOR,ENGINE VIBRATION*** .....4	
--	236453	GASKET,PCV FITTING,TME27		32	13066	WASHER,FLAT,.5 HARDENED.....4	
--	236454	SCREW,#10-32 X 5/8"L		33	6198	NUT,NYLOCK,1/2-13	
--	236455	WASHER,#10,LOCK		34	111830	COIL ASSY,IGNITION,TME27.....1	
3	111856	ASST,OVERFLOW BOTTLE,TME27.....1		--	111831	COIL IGNITION,TME27	
4	111808	WELDMENT,EXHAUST PIPE.....1		--	111832	BRACKET,IGNITION COIL,TME27	
5	102121	CLAMP,MUFFLER,1-7/8 IN.....2		--	111833	NUT,CLINCH,10-32 X 1	
6	111910	SENSOR,O2,EXH.COLL., PIPE.....1		--	111834	SPACER,.20 ID X .50 OD X .4 LG	
7	61741	SCREW,HHC,5/16-18 X 1.50		--	111835	SCREW,SHC,10-32 X 1	
8	5397	WASHER,FLAT,USS,5/16",Y		--	6607	WASHER,LOCK,#10 PLTD	
9	18503	NUT,LOCKING-LG.FLANGE,5/16-18		35	111844	FITTING,OIL PAN BREATHER,TME27.....1	
10	19358	CONNECTOR,010102-6-4.....1		36	111848	ENGINE MOUNT,LEFT FRONT,TME27.....1	
11	119232	LOCKOFF,LP,FORD DSG-423.....1		37	111880	HOSE,LOWER RADIATOR, TME27.....1	
12	119824	ELBOW,90DEG,5502-04-04-B.....1		38	111358	CONT FAN GUARD FT W/WORD DECAL.....1	
13	111869	OIL SEPARATOR.....1		--	111871	GUARD,FAN,FRONT,TME27	
--	111868	VALVE,PVC,TMEW7		39	111872	SCREW,FRONT FAN GUARD,TME27.....4	
--	111870	VALVE,CHCEK,TME27		40	111873	GUARD,FAN REAR,TME27.....1	
--	42280	CLAMP,HOSE,.50		--	111874	SCREW,REAR FAN GUARD,TME27	
14	111913	REGULATOR,LPG(EPR),TME27.....1		41	39479	SCREW,HHC,1/2-13 X 2.75	
15	110919	ISOLATOR,VIBRATION,M8 M/M....4		42	111850	WASHER,ISOLATOR,TME27.....2	
16	33277	WASHER,FLAT,M8,YELLOW ZINC		43	111851	ISOLATOR,RADIATOR,TME27.....2	
17	25368	NUT,NYLOCK,M8X1.25		44	111849	BRACKET,LOWER RAD,TME27....1	
18	6888	SCREW,HHC,1/4-20 X 1		45	6019	SCREW,HHC,3/8-16 X 1.25 GRD 5	
19	6638	WASHER,FLAT,USS,1/4"Y		46	6097	WASHER,FLAT,USS,3/8",Y	
20	16073	CLAMP,0.63,#10 X 1/4,RUB CUSH.....2		47	4828	NUT,NYLOCK,3/8-16	
21	6091	NUT,NYLOCK,1/4-20		48	111359	CONT RADR ASSY W/WORD DECAL.....1	
22	13268	CLAMP,0.75,#12 X 1/4,RUB CUSH.....2		--	111855	RADIATOR,CONTINTNTAL	
23	111858	SPACER,ENGINE MOUNT,TME27.....2		--	111864	PETCOCK,RADIATOR,1,4NPT	
24	5224	SCREW,HHC,3/8-16 X 2		49	111865	CAP,RADIATOR,TME27.....1	
25	6021	WASHER,LOCK,.375		50	45435	CLAMP,HOSE,2.50"*** .....4	
26	19934	WASHER,3/8 HARD.STEEL-FLAT,USS.....8		51	111852	BRACKET,UPPER SUPPORT,TME27.....1	
27	61225	RELAY,12VDC,70AMP,SEALED.....1					
28	111916	STARTER,TME 2.7L ENGINE.....1					

421.1 Continental TME-27 Engine - View 2  
(continued)

Item	Part No.	Description	Qty.
52	111881	HOSE,UPPER RADIATOR, TME27.....	1

*This Page Intentionally Left Blank*

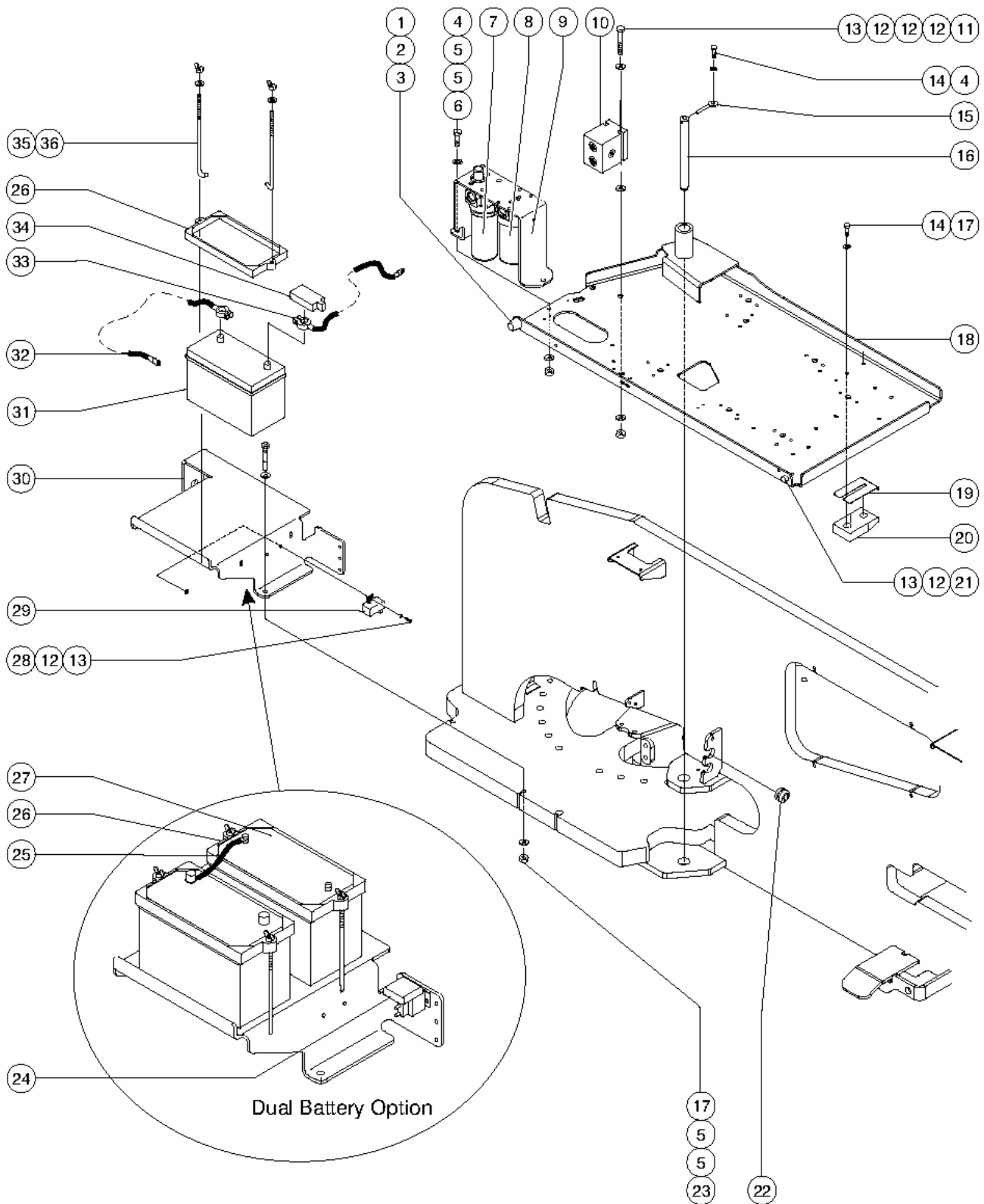
422.1 Continental TME-27 Engine - View 3



422.1 Continental TME-27 Engine - View 3

Item	Part No.	Description	Qty.	Item	Part No.	Description	Qty.
1	8178	SCREW,HHC,3/8-16 X 2.5		31	111634	AIR CLEANER,FORD,T3.....	1
2	18503	NUT,LOCKING-LG.FLANGE,5/16-18		--	227988	VACUATOR VALVE	
3	111799P	WELDMENT,MUFFLER MOUNT,PTD.....	1	--	38922	ELBOW,90DEG.1/8MPT-5/16 BARB	
4	119051	MOUNTING BAND,MUFFLER,8.0".....	2	--	58247	AIR CLEANER CAP/ FORD/NOLFF	
5	10107	SCREW,HHC,5/16-18 X .75		--	77295	FILTER ELEMENT,AIR,NOLFF LPG	
6	6638	WASHER,FLAT,USS,1/4"Y		32	53952	BRKT,AIR CLEANER ORIENTATION**.....	1
7	61741	SCREW,HHC,5/16-18 X 1.50		33	13002	SCREW,HHC,5/16-18 X 1 GR5	
8	5397	WASHER,FLAT,USS,5/16",Y		34	6782	NUT,NYLOCK,5/16-18	
9	111794	WELDMENT,EXHAUST COLL.PIPE.....	1	35	111804P	FORMING,AIR CLEANER MOUNT,PTD.....	1
10	111911	SENSOR,O2,CAT MUFFLER,DISCH.....	1	36	6019	SCREW,HHC,3/8-16 X 1.25 GRD 5	
11	111810	FORMING,HEAT SHIELD,EXH PIPE.....	1	37	33024	FLYWHEEL FLANGE,GREEN PLASTIC.....	1
12	6090	SCREW,HHC,1/4-20 X .75		38	111862	COUPLER,HUM,15T X 50T.....	1
13	111805	NUT,LOCK,HEX,M10		39	60838	CLAMP,1.00,#16 X 7/16,RUB CUSH.....	1
14	5224	SCREW,HHC,3/8-16 X 2		40	111861	PLATE,PUMP MOUNT,SAE 4.....	1
15	6021	WASHER,LOCK,.375		41	8177	SCREW,HHC,1/2-13 X 1.5	
16	19934	WASHER,3/8 HARD.STEEL-FLAT,USS.....	2	42	10597	SCREW,HHC,1/2-13 X 1.25 GR5	
17	111812P	FORMING,RADIATOR BAFFLE,PTD.....	1	43	22699	WASHER,FLAT,M10,ZINC PLTD.	
18	111887	MANIFOLD,COOLANT, TME27.....	1	44	6175	SCREW,HHC,3/8-16 X 1	
--	111886	GASKET,MANIFOLD,COOLANT,TME27		45	77181	CLAMP,1.63,#26 X 3/8,RUB CUSH.....	2
19	6096	SCREW,HHC,1/2-13 X 2 GR5		46	6888	SCREW,HHC,1/4-20 X 1	
20	13066	WASHER,FLAT,.5 HARDENED		47	6091	NUT,NYLOCK,1/4-20	
21	6198	NUT,NYLOCK,1/2-13		48	6637	SCREW,HHC,1/4-20 X 1.75	
22	111801P	PLATE,ENGINE MOUNT,PTD.....	1	49	111912	CONTROL MODULE,(GCP),TME27.....	1
23	111920	MIXER,TME 2.7L,ENGINE.....	1	50	122074	HARN,ENG,CONT,TME27,S80/85...1	
24	111815	HOSE,AIR CLEANER TO MIXER....	1	--	111806	HARNESS,STARTER RELAY TME27	
25	71911	CLAMP,MUFFLER, 2.50 INCH.....	1	--	111907	HARNESS, TME27 ENGINE,EPA2006	
26	6097	WASHER,FLAT,USS,3/8",Y		51	111914	REGULATOR,FUEL PRESS. TME27.....	1
27	4828	NUT,NYLOCK,3/8-16		52	111710	MUFFLER,CATALYTIC,CONTINENTAL.1	
28	111800P	FORMING,INTAKE TUBE BRCKT,PTD.....	1	--	72343	GASKET,EXH FLANGE-PERKINS54555	
29	111803	TUBE,INTAKE,AIR CLEANER.....	1	53	48425	NUT,LOCKING-LRG.FLANGE,3/8-16	
30	34164	ELBOW,90 DEGR,RUBBER,2.5" I.D.*.....	1				
--	35434	CLAMP,HOSE,2.00***					
--	45435	CLAMP,HOSE,2.50****					

423.1 Engine Tray and Battery

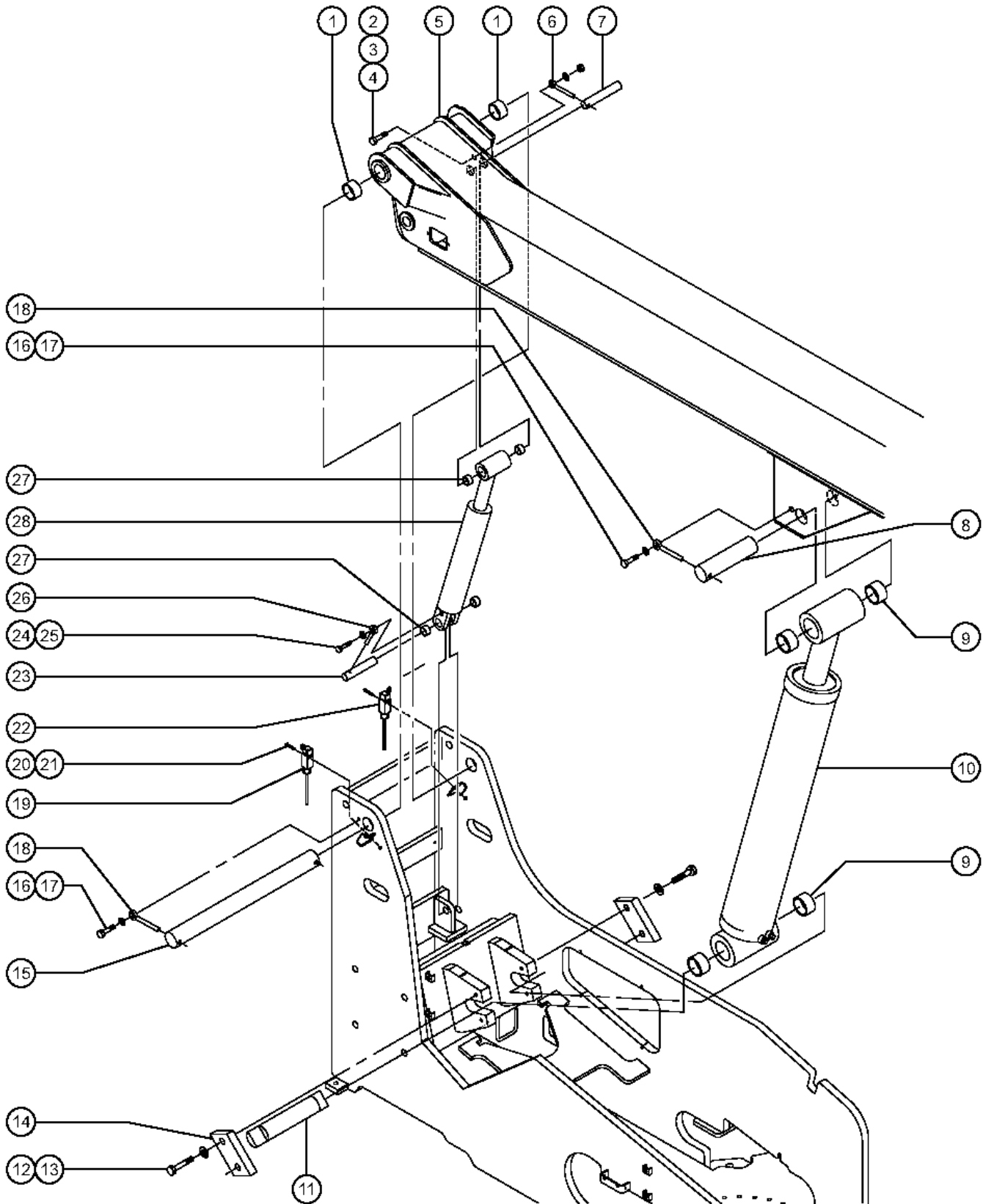




423.1 Engine Tray and Battery

Item	Part No.	Description	Qty.	Item	Part No.	Description	Qty.
--	101646	ACCESSORY,2ND BATTERY,S80/85 <i>Deutz, Perkins models</i>		--	77825	ENGINE TRAY PIVOT ASSEMBLY.....1 <i>Deutz Models; to SN 3772</i>	1
--	122239	HARNESS,BAT2+ TO SEPARATR MAIN		19	34344	SHIM,SIDE PAD 16GA. 3 X 5.....2	2
--	122240	HARNESS,BAT1+ TO SEPARATOR AUX		20	81522	WEAR PAD,ENGINE TRAY.....1	1
--	122241	HARNESS,BAT2- TO SEPARATOR GND		21	36388	BUMPER,RUBBER,.75 X .50H,STUD.....1	1
--	122264	ACCESS,2ND BATT,S80/85 PERKINS <i>from SN 6162</i>		22	61189	GROMMET,RUBBER .75 X .38 X1.13.....2	2
--	122265	ACCESS,2ND BATT,S80/85 CONTNTL <i>from SN 6162</i>		23	4828	NUT,NYLOCK,3/8-16	
1	30973	BUMPER,RUBBER-1 X 1.25.....1	1	24	237068	SEPARATOR,DUAL BATTERY,100A.....1	1
2	5397	WASHER,FLAT,USS,5/16",Y		--	214393	KIT, BATT SEPARATOR, ANSI/CSA <i>includes part 237068</i>	
3	6782	NUT,NYLOCK,5/16-18		--	215209	KIT, BATT SEPARATOR, CE <i>includes part 237068</i>	
4	6175	SCREW,HHC,3/8-16 X 1		--	215210	KIT, BATT SEPARATOR, AS <i>includes part 237068</i>	
5	5397	WASHER,FLAT,USS,5/16",Y		25	122242	HARNESS, BAT1 TO BAT3 GND	
6	7713	NUT,LP NYLOCK,3/8-16		26	30144	BATTERY HOLD DOWN,GROUP 31.....1	1
7	60334	FILTER ASSY,HIGH PRESS SAE-12*.....1	1	27	67325	BATTERY,12V 1000CCA,5/16STUD W.....1	1
--	58222	O-RING,FILTER ASSY (60334)***		28	6888	SCREW,HHC,1/4-20 X 1	
--	58223	SEAL,FILTER ASSY (60334)***		29		CONTROLLER,GLOW PLUG (53883).....1 <i>to SN 3737; component no longer available</i>	1
--	60857	FILTER,ELEMENT,BETA(5)=1000		30	81615P	TRAY,BATTERY.....1	1
8	77139	FILTER ASY,M PRESS,SAE8,WOIND*.....1	1	31	30143	BATTERY,12V,1000 CCA GRP 31.....1	1
--	60857	FILTER,ELEMENT,BETA(5)=1000		32	81563	BATT.CABLE,2/0,BLACK,48".....1 <i>Deutz, GM, Continental models</i>	1
9	81005P	BRACKET,FILTER MOUNT,PAINTED.....1	1	--	88157	BATTERY CABLE,2/0,BLACK,64" <i>Perkins, Ford Models</i>	
10		Ref. Brake/Two Speed Manifold (refer to 703.1).....1	1	33	77901	BATT CABLE,00,POS.,RED,60".....1 <i>Deutz, GM, Continental Models</i>	1
11	6090	SCREW,HHC,1/4-20 X .75		--	101643	BATT.CABLE,00,POS.,RED,76" <i>Perkins, Ford Models</i>	
12	6638	WASHER,FLAT,USS,1/4"Y		34	18189	BOOT,BATTERY TERMINAL,RED.....1	1
13	6091	NUT,NYLOCK,1/4-20		35	45708	HOOK,BATT HOLD DOWN,10".....2	2
14	6021	WASHER,LOCK,.375		36	8170	NUT,WING,1/4-20.....2	2
15	45226	ROD END,.375 X 3.69.....1	1				
16	81724	PIN,1.25 X 13.25 IN,CHAMFER.....1	1				
17	6019	SCREW,HHC,3/8-16 X 1.25 GRD 5					
18	77825	ENGINE TRAY PIVOT ASSEMBLY.....1 <i>Perkins Models; to SN 3737</i>	1				
--	101540	ENGINE TRAY ASSY W/BEARINGS <i>Perkins Models; from SN 3738</i>					

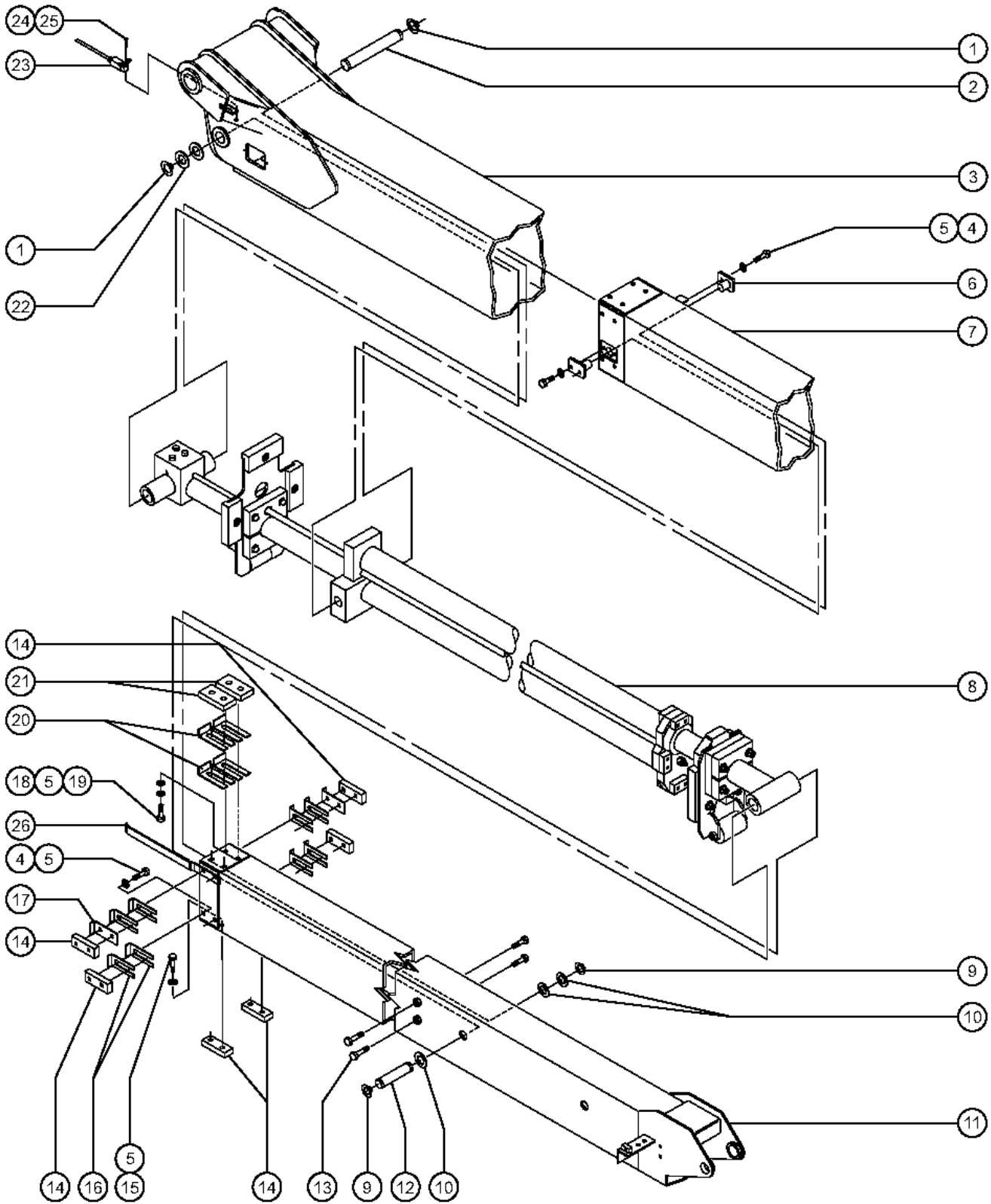
501.1 Boom Installation



501.1 Boom Installation

Item	Part No.	Description	Qty.	Item	Part No.	Description	Qty.
1	34131	BEARING,2.50IDX3.00ODX2.00L....2		28	63209	CYLINDER,MASTER***.....1 <i>includes item 27</i>	
2	5224	SCREW,HHC,3/8-16 X 2		28	63349	SEAL KIT CYL.(63209)	
3	5397	WASHER,FLAT,USS,5/16",Y					
4	4828	NUT,NYLOCK,3/8-16					
5	227152	ASSY,S85 #1 BOOM TUBE,(2K).....1 <i>includes item 1</i>					
5	77845	ASSY,S80 #1BOOM TUBE(2K)**.....1 <i>includes item 1</i>					
6	45226	ROD END,.375 X 3.69.....1					
7	34270	PIN,1.25DIAX6.62LG,1HOLE.....1					
8	34269	PIN,2.50DIAX13.75LG,1HOLE.....1					
9	27698	BEARING,2.50IDX2.75ODX2.00L....4					
10	63204	CYLINDER, LIFT, S80.....1 <i>includes item 9</i>					
--	33428	VALVE,COUNTERBALANCE					
--	43018	SEAL KIT (39345)					
--	63344	SEAL KIT,CYL,S80 (63204)					
11	33823	PIN,PRI.CYL,/SWING CHASSIS.....1					
12	33557	SCREW,HHC,3/4-10 X 2.00,GR5					
13	34550	WASHER,LOCK,.75 PLTD					
14	33822P	PIN RETAINER,PRI.CYL.BLUE.....2					
15	34271	PIN,2.50DIAX29.13LG,1HOLE.....1					
16	10597	SCREW,HHC,1/2-13 X 1.25 GR5					
17	6033	WASHER,LOCK,0.5"					
18	30418	ROD END,.50 X 4.....2					
19	111380	HARNES,LS.OPERATIONAL,ANGLE.1					
--	88356-322P3	SWITCH,LIMIT,W/RLR ARM,PLASTIC					
--	97128	ROLLER ARM,LIMIT SWITCH***					
--	97232	CONTACTOR-LIMIT SWITCH					
20	6179	SCREW,RHM,10-32 X 1.25					
21	6178	NUT,NYLOCK,10-32					
22	111379	HARNES,L.S.SAFETY,BOOM ANGLE.....1					
--	88356-222N3	SWITCH,LIMIT,W/RLR ARM,PLASTIC					
--	97128	ROLLER ARM,LIMIT SWITCH***					
--	97231	CONTACTOR,LIMIT SWITCH**					
23	34276	PIN,1.25DIAX3.37LG,1HOLE.....1					
24	6175	SCREW,HHC,3/8-16 X 1					
25	6021	WASHER,LOCK,.375					
26	25284	ROD END,.375 X 2.25***.....2					
27	25683	BEARING,POLYGON,20DU12.....4					

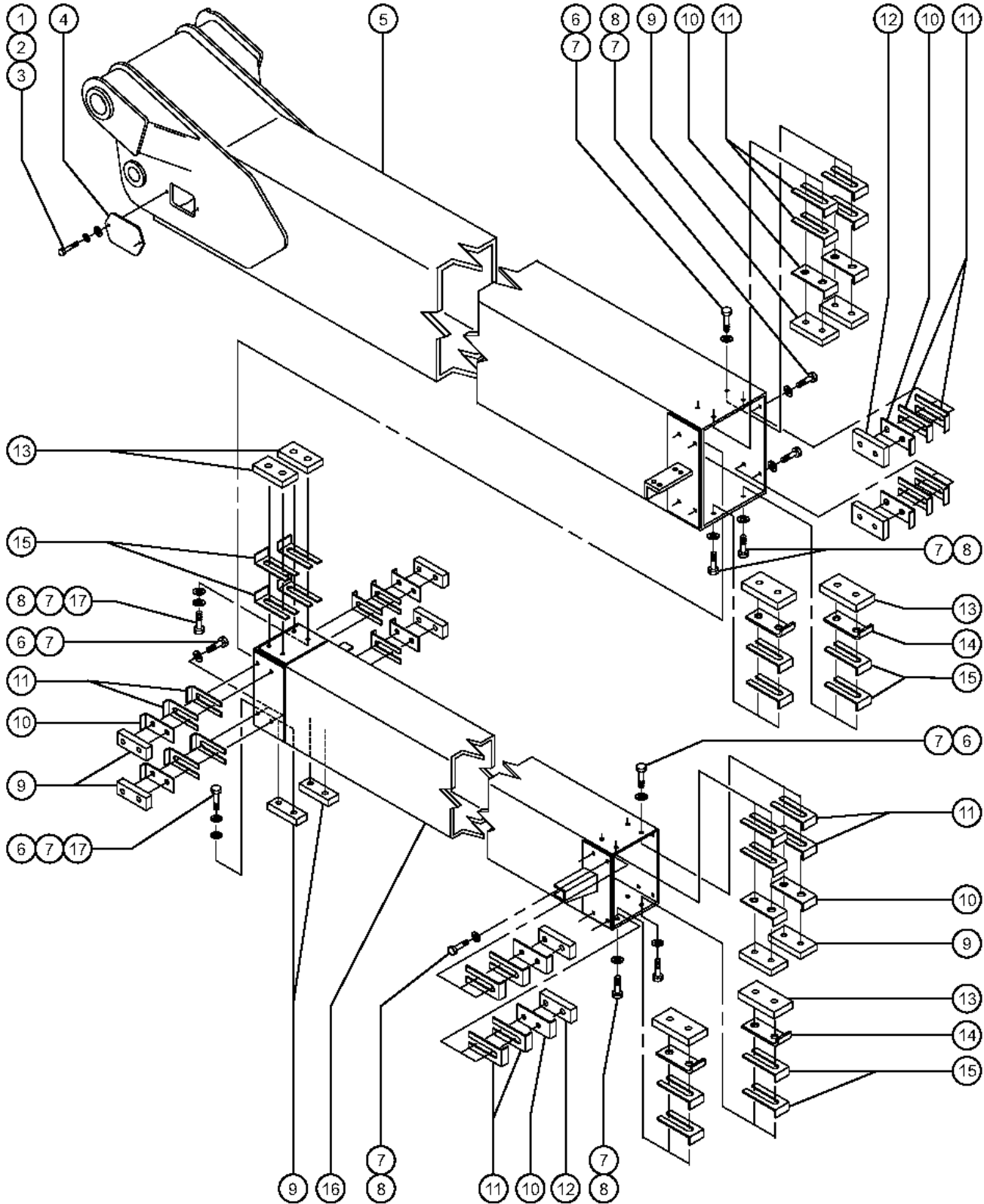
502.1 Extension Boom - View 1



502.1 Extension Boom - View 1

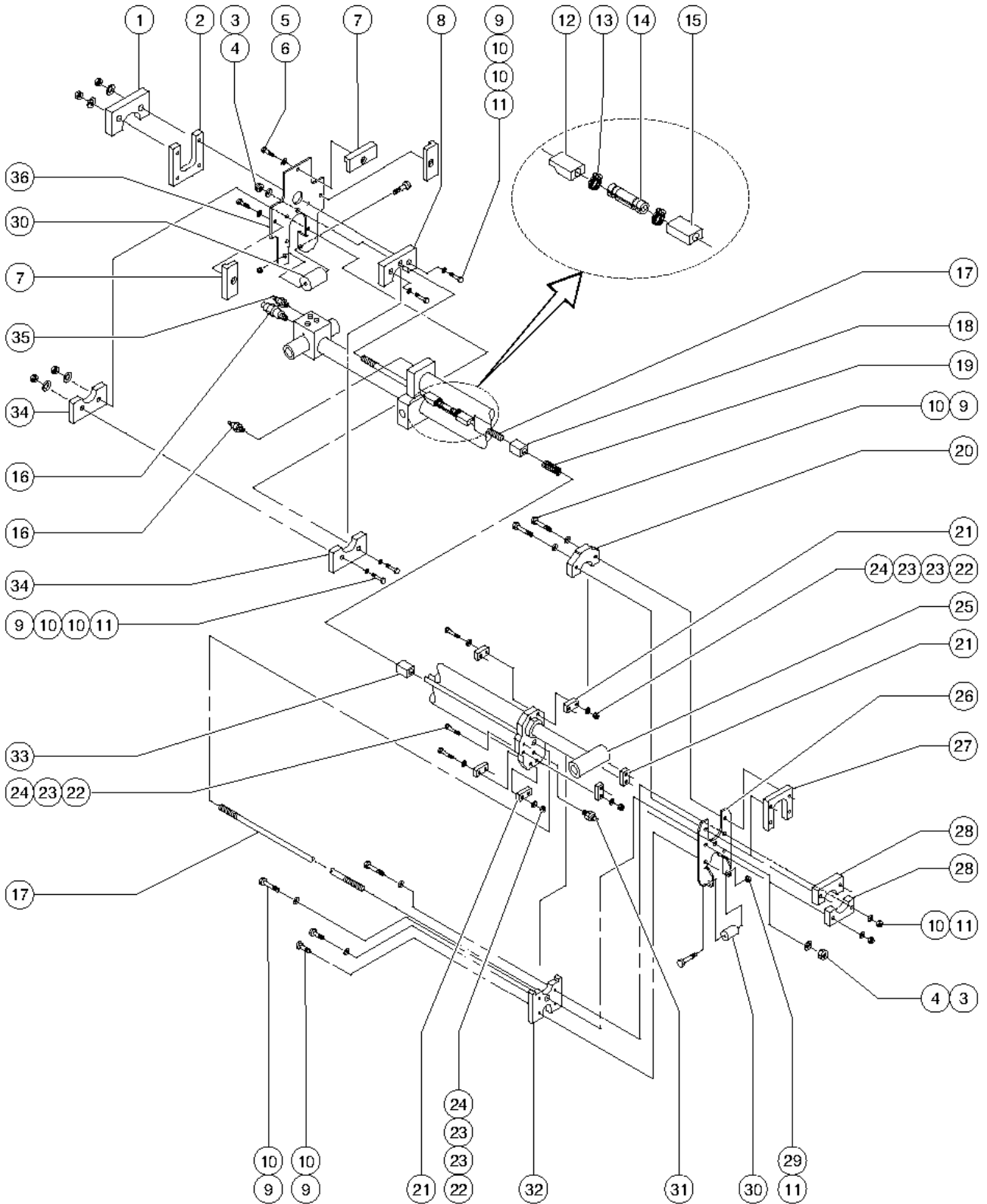
Item	Part No.	Description	Qty.
--	128173	KIT,SLAVE CYL & EXT CYL PINS <i>includes items 9 and 12</i>	
1	825796	SNAP RING,EXTERNAL,1.50,ZAG.....2	
2	34268	PIN,1.50DIAX14.41LG,2RING.....1	
3		Ref. Number 1 Boom Tube Assembly with Decal (refer to 501.1)	
4	6175	SCREW,HHC,3/8-16 X 1	
5	6021	WASHER,LOCK,.375	
6	34170-S	EXT.CYL.MOUNTING PIN WLDMT.....2	
7	81429	WELDMENT,BOOM SECTION#2 S80/85.....1	
8		Ref. Boom Extension Cylinder Assembly (refer to 504.1)	
9	824164	SNAP RING,EXTERNAL,1.25,ZAG.....2	
10	30255	WASHER,SHIM,1.27 X 2.13 X .062	
11	227151	ASSY,S80/85 #3 BOOM TUBE.....1	
12	T108079	PIN,1.25DIAX8.30LG,2RING.....1	
13	6090	SCREW,HHC,1/4-20 X .75	
14	30138	WEAR PAD,5 X 1.5 X .625 W/NUTS.....6	
15	8255	SCREW,HHC,3/8-16 X .75	
16	29080	SHIM,WEAR PAD,5X 1.5 16GA	
17	38620	SHIM,WEAR PAD,5 X 1.5,14GA	
18	6019	SCREW,HHC,3/8-16 X 1.25 GRD 5	
19	6097	WASHER,FLAT,USS,3/8",Y	
20	34344	SHIM,SIDE PAD 16GA. 3 X 5	
21	34124	WEAR PAD,5 X 3 X .625 W/INSER.....2	
22	18596	WASHER,FLAT,1.56 X 2.5 X .061	
23	81456	HARNESS,LMT SWITCH,BOOM EXT/RE.....1	
--	88356-31163	SWITCH,LIMIT,W/R/R***	
--	97128	ROLLER ARM,LIMIT SWITCH***	
--	97232	CONTACTOR-LIMIT SWITCH	
24	6179	SCREW,RHM,10-32 X 1.25	
25	6178	NUT,NYLOCK,10-32	
26	81689P	FORMING,LIMIT SWITCH PAINTED.....1	

503.1 Extension Boom - View 2



Item	Part No.	Description	Qty.
1	7339	SCREW,HHC,1/4-20 X .5	
2	6356	WASHER,LOCK, .25	
3	6638	WASHER,FLAT,USS,1/4"Y	
4	34284P	COVER,BOOM SECTION #1 PNTD.....2	
5		Ref. Number 1 Boom Tube Assembly with Decal (refer to 501.1)	
6	6175	SCREW,HHC,3/8-16 X 1	
7	6021	WASHER,LOCK, .375	
8	6019	SCREW,HHC,3/8-16 X 1.25 GRD 5	
9	30138	WEAR PAD,5 X 1.5 X .625 W/NUTS.....10	
10	38620	SHIM,WEAR PAD,5 X 1.5,14GA	
11	29080	SHIM,WEAR PAD,5X 1.5 16GA	
12	34125	WEAR PAD,5 X 1.5 X .75 W/NUTS.....8	
13	34124	WEAR PAD,5 X 3 X .625 W/INSER.....6	
14	38621	SHIM,PAD,5 X 3	
15	34344	SHIM,SIDE PAD 16GA. 3 X 5	
16	81429	WELDMENT,BOOM SECTION#2 S80/85.....1	
17	6097	WASHER,FLAT,USS,3/8",Y	

504.1 Extension Cylinder Assembly

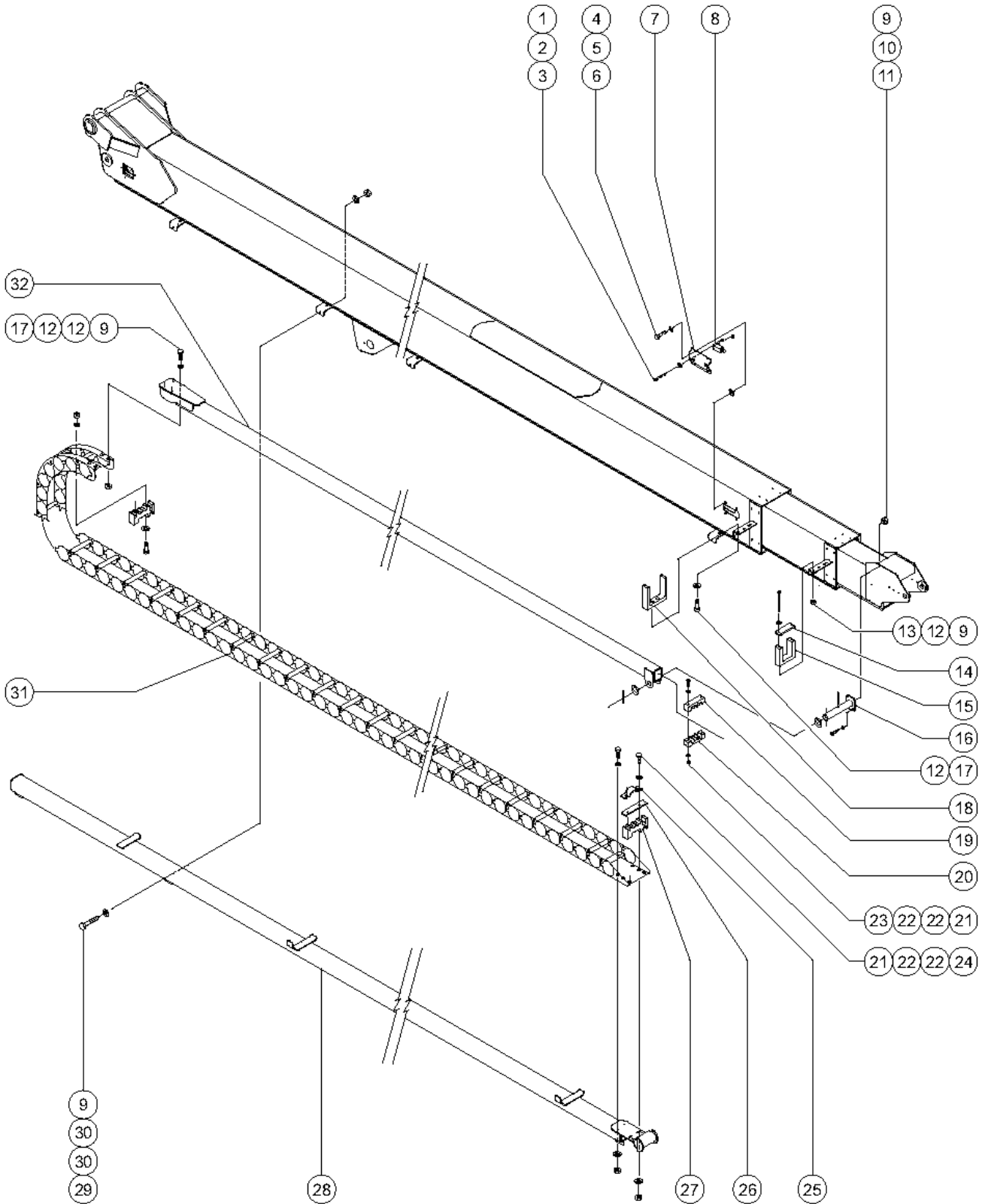




504.1 Extension Cylinder Assembly

Item	Part No.	Description	Qty.	Item	Part No.	Description	Qty.
1	73878	WEAR PAD,BOTTOM ROD.....	1	31	40134	VALVE,SEQUENCE,SUN S60/80 EXT.....	1
2	73877	SPACER,BOTTOM ROD.....	1	--	43018	SEAL KIT (39345)	
3	6086	NUT,LP NYLOCK,1/2-13		32	73889	WEAR PAD,TOP ROD.....	1
4	73882	WASHER,UHMW SPHERE		33	122713	WEAR PAD,TENSION ROD.....	2
5	6175	SCREW,HHC,3/8-16 X 1		34	73880	WEAR PAD,BOTTOM ROD.....	2
6	6021	WASHER,LOCK,,375		35	36207	VALVE,COUNTERBALCWCA-LHN@2000.1	
7	73891	SPACER,SIDE.....	3	--	62449	SEAL KIT,SUN "CWCA" CB VALVES*	
8	73879	WEAR PAD,BOTTOM ROD.....	1	36	73875P	BRACKET,BOTTOM ROD SUPPORT.....	1
9	8352	SCREW,HHC,3/8-16 X 3.75 GD 5					
10	5397	WASHER,FLAT,USS,5/16",Y					
11	4828	NUT,NYLOCK,3/8-16					
12	73926	SPACER,OUTSIDE FRONT.....	2				
13	81154	CLAMP,HOSE,SIZE .31 > .91.....	4				
14	73961	CLAMP SLEEVE UHMW.....	2				
15	73881	SPACER,OUTSIDE REAR.....	2				
16	36188	VALVE,COUNTERBALCACA-LHN@2000.2					
--	43018	SEAL KIT (39345)					
17	73884	EXTENDING ROD.....	2				
18	122714	SPACER,INSIDE.....	2				
19	73885	SPRING, 7.030DX.558 IDX1.94 LG.....	2				
20	73887	WEAR PAD,TOP ROD.....	1				
21	53036	WEAR PAD,EXTENSION CYLINDER.....	5				
--	111089	WEAR PAD,EXTENSION CYLINDER.....	1				
22	6889	NUT,LP NYLOCK,1/4-20					
23	6638	WASHER,FLAT,USS,1/4"Y					
24	6884	SCREW,HHC,1/4-20 X 2.5					
25	63200	EXTENSION CYL ASSY,S80/85..... <i>includes items 16 and 30</i>	1				
--	63338	SEAL KIT,CYL,S80 (63200)*** <i>UPPER EXTENSION CYLINDER</i>					
--	63339	SEAL KIT,EXT CYL (63200)*** <i>LOWER EXTENSION CYLINDER</i>					
--	88001	CROSS OVER TUBE (63200, 63201)					
26	73886P	BRACKET,TOP ROD SUPPORT PAINT.....	1				
27	73892	SPACER,TOP ROD.....	1				
28	73888	WEAR PAD,TOP ROD.....	2				
29	73921	SCREW,SHS,3/8-16 X 3.50					
30	73876	ROLLER,UHMW.....	2				

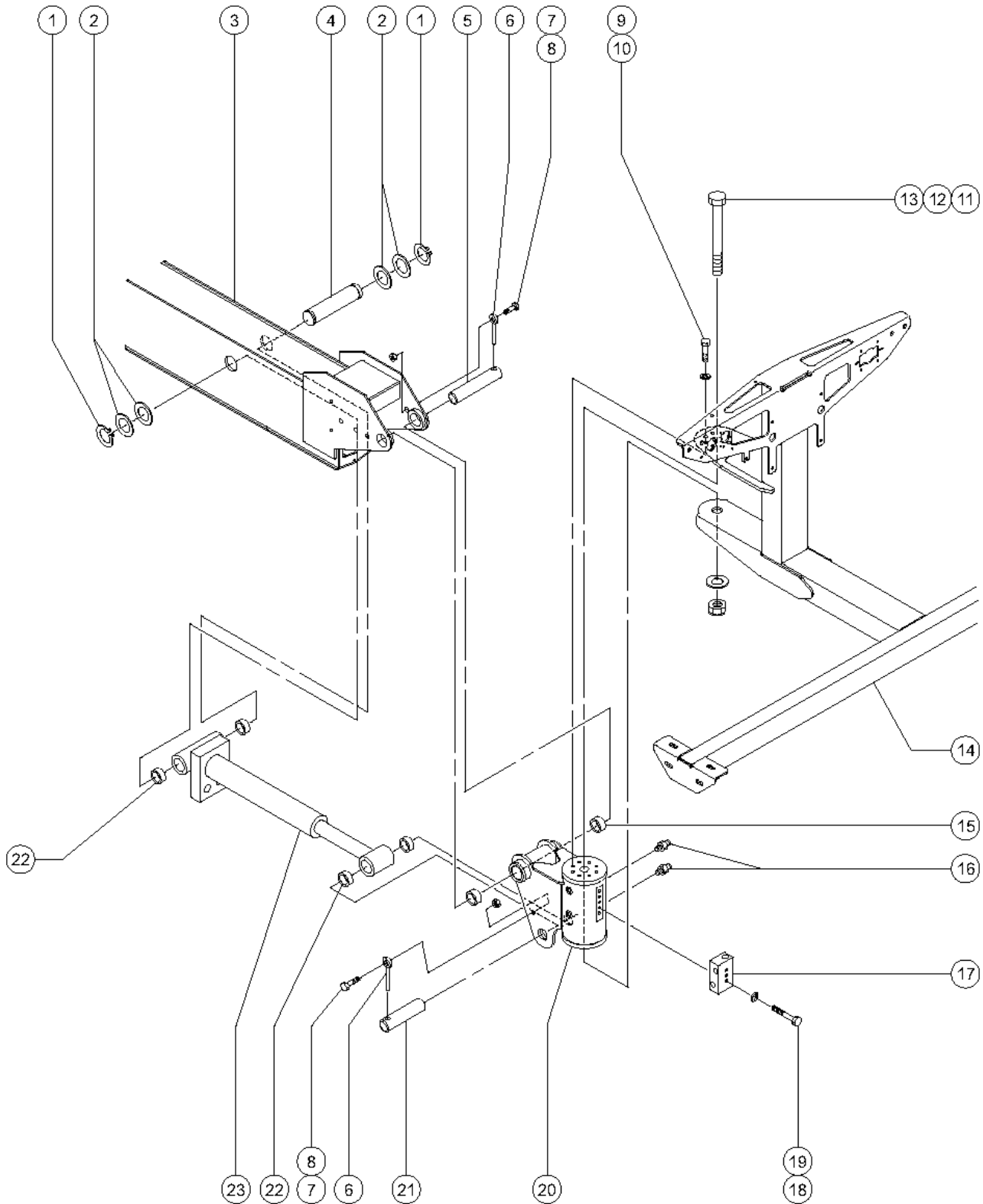
505.1 Cable Track Installation



505.1 Cable Track Installation

Item	Part No.	Description	Qty.	Item	Part No.	Description	Qty.
1	33681	SCREW,HHC,3/8-16 X .625		--	106154	KIT,PIN & RING***	
2	6021	WASHER,LOCK,,.375		--	111063	ASSY,4 LINK CABLE TRACK,SS	
3	6178	NUT,NYLOCK,10-32		--	111064	CABLE TRACK UPPER MOUNT,SS	
4	16486	SCREW,RHM,10-32 X 1.75		--	111065	CABLE TRACK LOWER MOUNT,SS	
5	6146	WASHER,FLAT,MS,#10,Y		--	231653	KIT,CABLE TRAK FLAT BAR <i>includes screws</i>	
6	29868	SPRING CLIP,3/8-16		--	58308	ROLLER,ALUM TUBE,ST.TRK*** <i>for 58309</i>	
7	81924	BRACKET,LIMIT SWITCH,EXTEND.....	1	--	58309	ROLLER,POLY,STEEL TRACK***	
8	88051	HARNES, L.S.SAFETY,BOOM EXT/RE.....	1	--	58310	SCREW,10-24 X.5 TORX PAN HD*** <i>for 58308</i>	
--	88356-22463	SWITCH,LIMIT,W/RLR ARM,PLASTIC		--	77896	ASSY,FOUR LINK CABLE TRACK***	
--	97231	CONTACTOR,LIMIT SWITCH**		--	77951	MOVING END BRACKET <i>moving end</i>	
9	4828	NUT,NYLOCK,3/8-16		--	77952	FIXED END BRACKET <i>fixed end</i>	
10	6097	WASHER,FLAT,USS,3/8",Y		32	61541	WELDMENT, LONG GUIDE TUBE...1	
11	6175	SCREW,HHC,3/8-16 X 1					
12	5397	WASHER,FLAT,USS,5/16",Y					
13	81777	SCREW,HHC,3/8-16 X 7					
14	81342	WEAR PAD,5.5 X 1.75 X .5.....	1				
15	81341	WEAR PAD,CABLE TRACK PULL TUBE.....	1				
16	81347	WELDMENT,TRACK PULL TUBE PIVOT.....	1				
17	6019	SCREW,HHC,3/8-16 X 1.25 GRD 5					
18	81340	WEAR PAD ASSEMBLY,CABLE TRACK.....	1				
19	88514	CABLE STAY, TOP*** .....	1				
20	88515	CABLE STAY.....	1				
21	6091	NUT,NYLOCK,1/4-20					
22	6638	WASHER,FLAT,USS,1/4"Y					
23	8179	SCREW,HHC,1/4-20 X 2.25					
24	12343	SCREW,HHC,1/4-20 X 3					
25	81903	CLAMP,CABLE TRACK WELD CABLE.....	1				
26	81902P	CLAMP,CABLE TRACK HOSE PAINTED.....	2				
27	81351	CLAMP,PLASTIC HOSE*** .....	2				
28	81334	WELDMENT,CABLE TRACK TRAY .....	1				
29	8516	SCREW,HHC,3/8-16 X 1.50,GR5					
30	6097	WASHER,FLAT,USS,3/8",Y					
31	81354	CABLE TRACK,STEEL,70 LINKS....	1				
--	106071	CABLE TRACK,SS,70 LINKS.....	1				

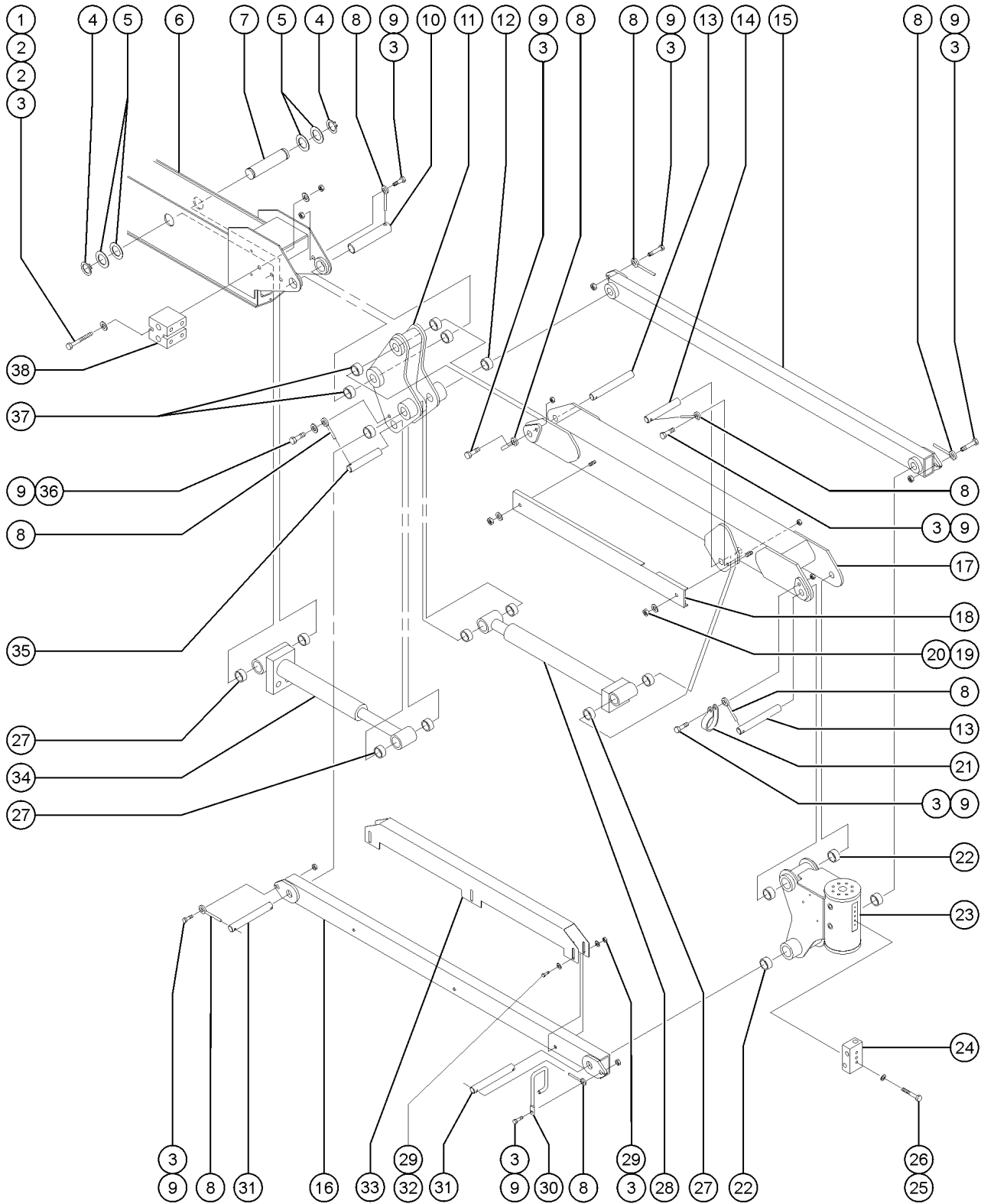
506.1 Slave Cylinder and Platform Rotator



506.1 Slave Cylinder and Platform Rotator

Item	Part No.	Description	Qty.	Item	Part No.	Description	Qty.
--	128172	KIT,SLAVE CYL PIN <i>includes items 1 and 4</i>		--	59267	VALVE,COUNTERBAL.CACG-LGN@3500 <i>for black cylinder; to SN 3671</i>	
1	824164	SNAP RING,EXTERNAL,1.25,ZAG		--	63350	SEAL KIT,CYL (63210)	
2	30255	WASHER,SHIM,1.27 X 2.13 X .062		--	77303	VALVE,CNTRBAL 3500PSI,ATM VEN <i>for black cylinder; from SN 3672</i>	
3	227151	ASSY,S80/85 #3 BOOM TUBE.....1					
4	T108079	PIN,1.25DIAX8.30LG,2RING.....1					
5	T108078	PIN,1.25DIAX9.50LG,1HOLE.....1					
6	45226	ROD END,.375 X 3.69.....2					
7	8516	SCREW,HHC,3/8-16 X 1.50,GR5					
8	4828	NUT,NYLOCK,3/8-16					
9	49857	SCREW,HHC,3/8-16 X .88,GRD 8...8					
10	57201	WASHER,FLAT, 313, HARDENED.....8					
11	73928	SCREW,HHC,1-8 X 11,GRD 5***					
12	122079	WASHER,FLAT,1.000,HARDENED..1					
13	29764	NUT,NYLOCK,1-8					
14		Ref. Platform Mount (refer to 601.1)					
15	30370	BEARING,1.25IDX1.5ODX1.00L.....2					
16	13852	VALVE ASSY,BLEED***.....2 <i>to SN 3570</i>					
--	88516	SCREW,BLEEDER,M5X0.8 <i>from SN 3571</i>					
17		Ref. Counterbalance Manifold (refer to 706.1)					
18	6145	SCREW,HHC,1/4-20 X 1.5					
19	6356	WASHER,LOCK,.25					
20	94398	ROTATOR,PLAT,NON-JIB.....1 <i>includes items 15 and 16; to SN 3570</i>					
--	106421	SEAL KIT,ARCTIC,ROTATOR 8.2K**					
--	122944	SEAL KIT,8K ROTATOR***					
--	62417	SEAL KIT,PLAT ROTATE***					
--	75395	BEARING KIT,PLAT ROTATOR,SUPER					
--	94398	ROTATOR,PLAT,NON-JIB.....1 <i>includes items 15 and 16; from SN 3571</i>					
21	T108075	PIN,1.25DIAX5.25LG,1HOLE.....1					
22	25683	BEARING,POLYGON,20DU12.....4					
23	63210	CYLINDER,SLAVE,3 X 11.38***.....1 <i>includes item 22</i>					
--	43018	SEAL KIT (39345)					
--	43169	VALVE,COUNTERBALANCE*** <i>for blue cylinder</i>					

507.1 Jib Boom and Platform Rotator



507.1 Jib Boom and Platform Rotator

Item	Part No.	Description	Qty.	Item	Part No.	Description	Qty.
1	21604	SCREW,HHC,3/8-16 X 3.25 to SN 3834		--	30370	BEARING,1.25IDX1.5ODX1.00L from SN 3571	
2	54355	WASHER,FLAT,SAE,3/8",Y to SN 3834		23A	94397	ROTATOR,PLAT JIB,160 DEG***.....1	
3	4828	NUT,NYLOCK,3/8-16		--	122944	SEAL KIT,8K ROTATOR*** use with rotator item 94397	
4	824164	SNAP RING,EXTERNAL,1.25,ZAG		--	88516	SCREW,BLEEDER,M5X0.8 use with rotator item 94397	
5	30255	WASHER,SHIM,1.27 X 2.13 X .062		23B	106421	SEAL KIT,ARCTIC,ROTATOR 8.2K** use with rotator 60505; to SN 3570	
6	227151	ASSY,S80/85 #3 BOOM TUBE.....1		23B	13852	VALVE ASSY,BLEED*** use with rotator 60505; to SN 3570	
7	T108079	PIN,1.25DIAX8.30LG,2RING.....1		23B	62417	SEAL KIT,PLAT ROTATE*** use with rotator 60505; to SN 3570	
8	45226	ROD END,.375 X 3.69.....7		23B	75395	BEARING KIT,PLAT ROTATOR,SUPER use with rotator 94397 and 60505; to SN 3570	
9	8516	SCREW,HHC,3/8-16 X 1.50,GR5		24		Ref. Rotator Manifold (refer to 706.1)	
10	T108078	PIN,1.25DIAX9.50LG,1HOLE.....1		25	6145	SCREW,HHC,1/4-20 X 1.5	
11	89801	BELLCRANK ASSY W/BEARINGS.....1 includes item 12		26	6356	WASHER,LOCK,.25	
12	35675	BEARING,FL,1.25IDX1.5ODX1.25L.2 to SN 6260		27	25683	BEARING,POLYGON,20DU12.....8	
--	128268	BEARING,FL, 1.25X1.5X2.13.....2 from SN 6261		28	63213	CYLINDER,JIB (STICK BOOMS).....1 includes item 27	
13	T108076	PIN,1.25DIAX7.88LG,1HOLE.....2		--	33428	VALVE,COUNTERBALANCE	
14	T108077	PIN,1.25DIAX7.00LG,1HOLE.....1		--	43018	SEAL KIT (39345)	
15	61306-S	COMPR.LINK,MACHINED,GND CONTR* .....1 to SN 4024		--	63353	SEAL KIT,CYL,S65 (63213)	
--	61306-S	COMPR.LINK,MACHINED,GND CONTR* from SN 4025		29	6097	WASHER,FLAT,USS,3/8",Y from SN 4025	
16	61306-S	COMPR.LINK,MACHINED,GND CONTR* .....1 to SN 4024		30	75016-S	GUARD,JIB HOSE.....1 from SN 4025	
--	60789-S	COMPR. LINK,MACHINED,ENG SD*** from SN 4025		31	81175	PIN,1.25DIAX14.45LG,2HOLE.....2	
17		SERVICE KIT,5FT JIB.....1 refer to section 508.1 for jib detail		32	14033	SCREW,HHC,3/8-16 X 2.75 from SN 4025	
18	54527-S	CABLE COVER,JIB*** .....1 to SN 4024		33	89642	WELDMENT,JIB HOSE COVER.....1 refer to section 508.1 for jib detail, from SN 4025 to 6387	
19	6091	NUT,NYLOCK,1/4-20		34	63210	CYLINDER,SLAVE,3 X 11.38***.....1	
20	6638	WASHER,FLAT,USS,1/4"Y		--	43018	SEAL KIT (39345)	
21	32339	CLAMP,1.75,#28 X 3/8,RUB CUSH* .....1 to SN 4024		--	43169	VALVE,COUNTERBALANCE*** for blue cylinder	
22	30219	BEARING,FL,1.25ID X 1.41OD X 1.....4 to SN 3570		--	59267	VALVE,COUNTERBAL.CACG-LGN@3500 for black cylinder; to SN 3671	
				--	63350	SEAL KIT,CYL (63210)	
				--	77303	VALVE,CNTRBAL 3500PSI,ATM VEN for black cylinder; from SN 3672	

507.1 Jib Boom and Platform Rotator  
(continued)

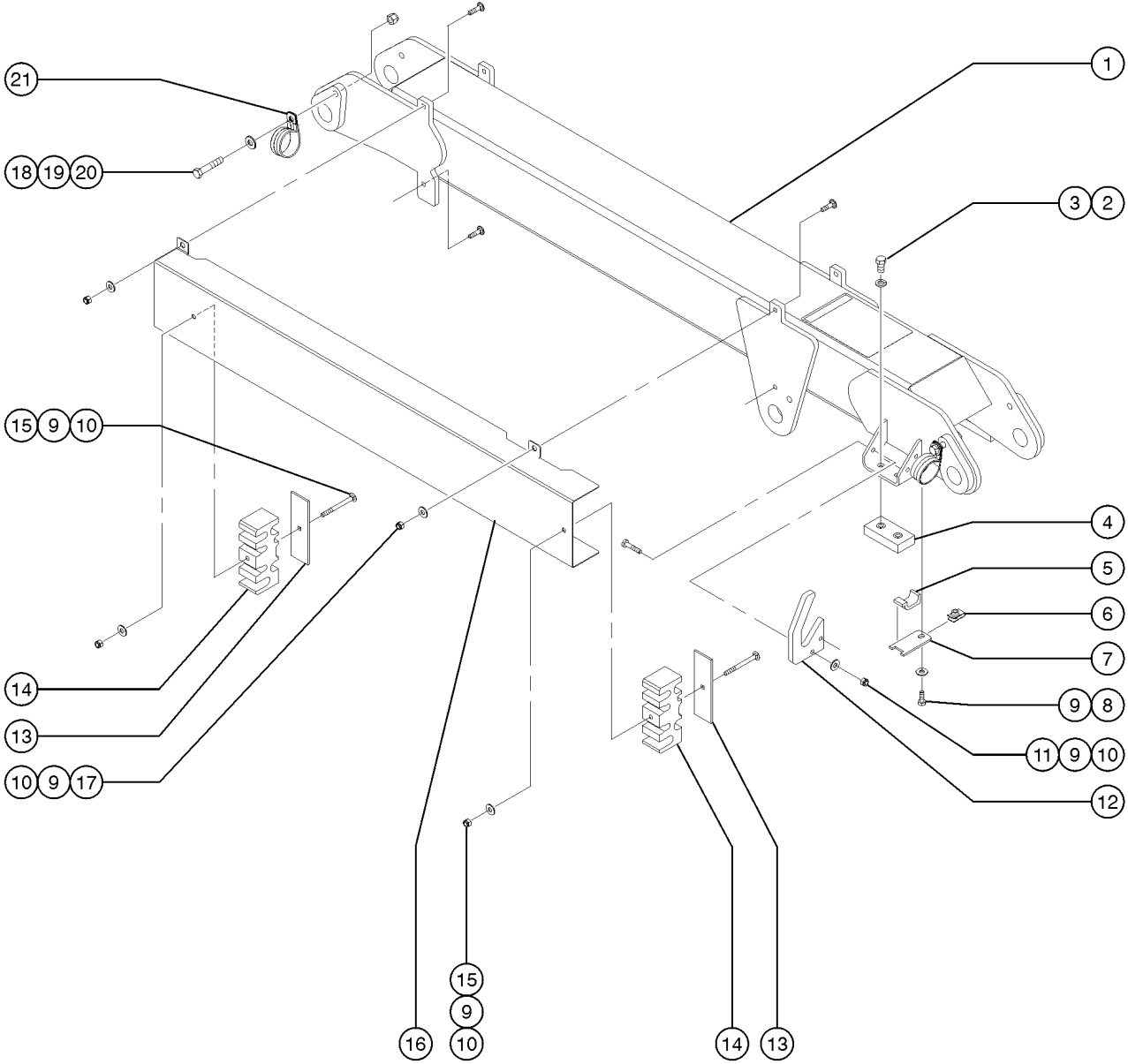
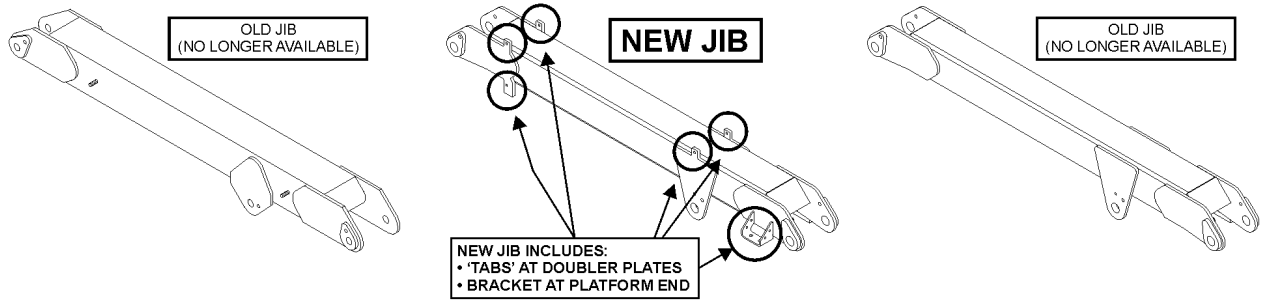
Item	Part No.	Description	Qty.
35	T108075	PIN,1.25DIAX5.25LG,1HOLE.....1	
36	6021	WASHER,LOCK,.375	
37	35675	BEARING,FL,1.25IDX1.5ODX1.25L.4 <i>to SN 6260</i>	
--	75627	BEARING,1.25 X 1.5 X 2.....4 <i>from SN 6261</i>	
38		Ref. Jib/Rotate Manifold (refer to 706.1)	



*This Page Intentionally Left Blank*

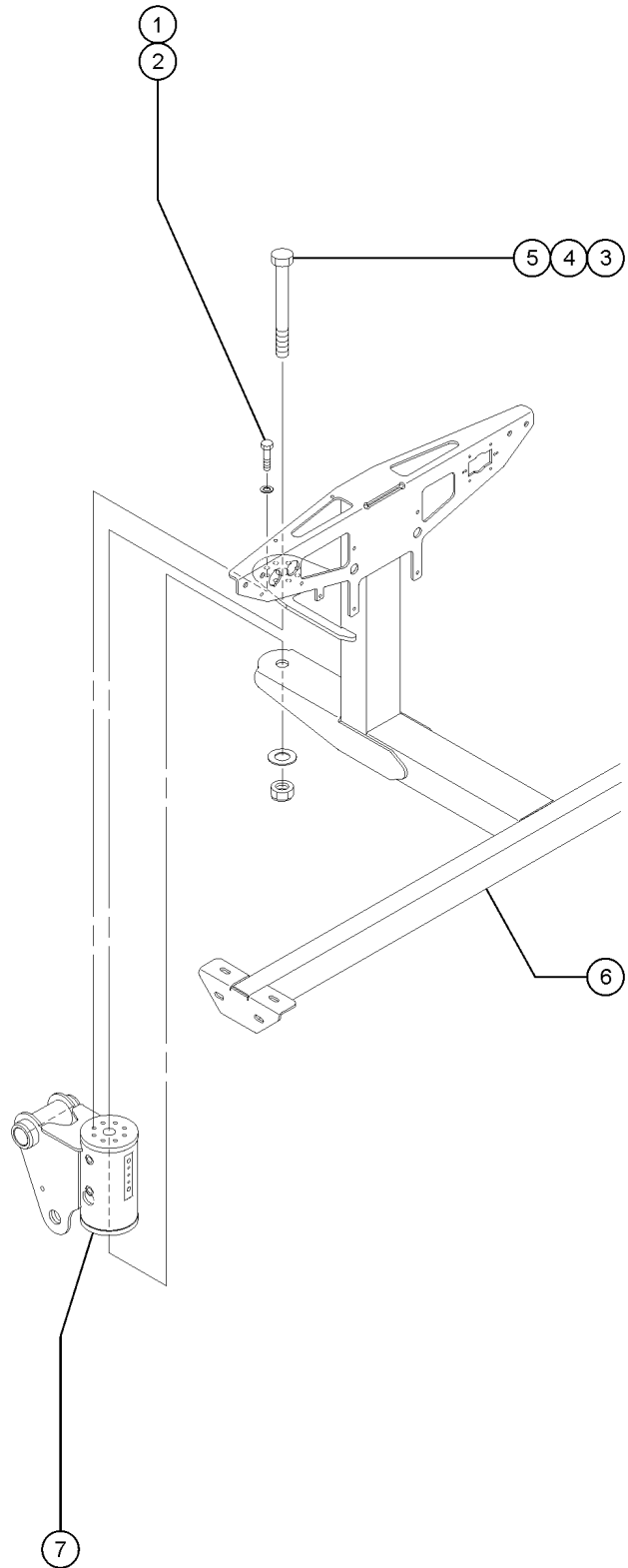
508.1 Jib Detail

NOTE: THE OLDER JIB HAS BEEN REPLACED. SEE BELOW FOR CHANGES.



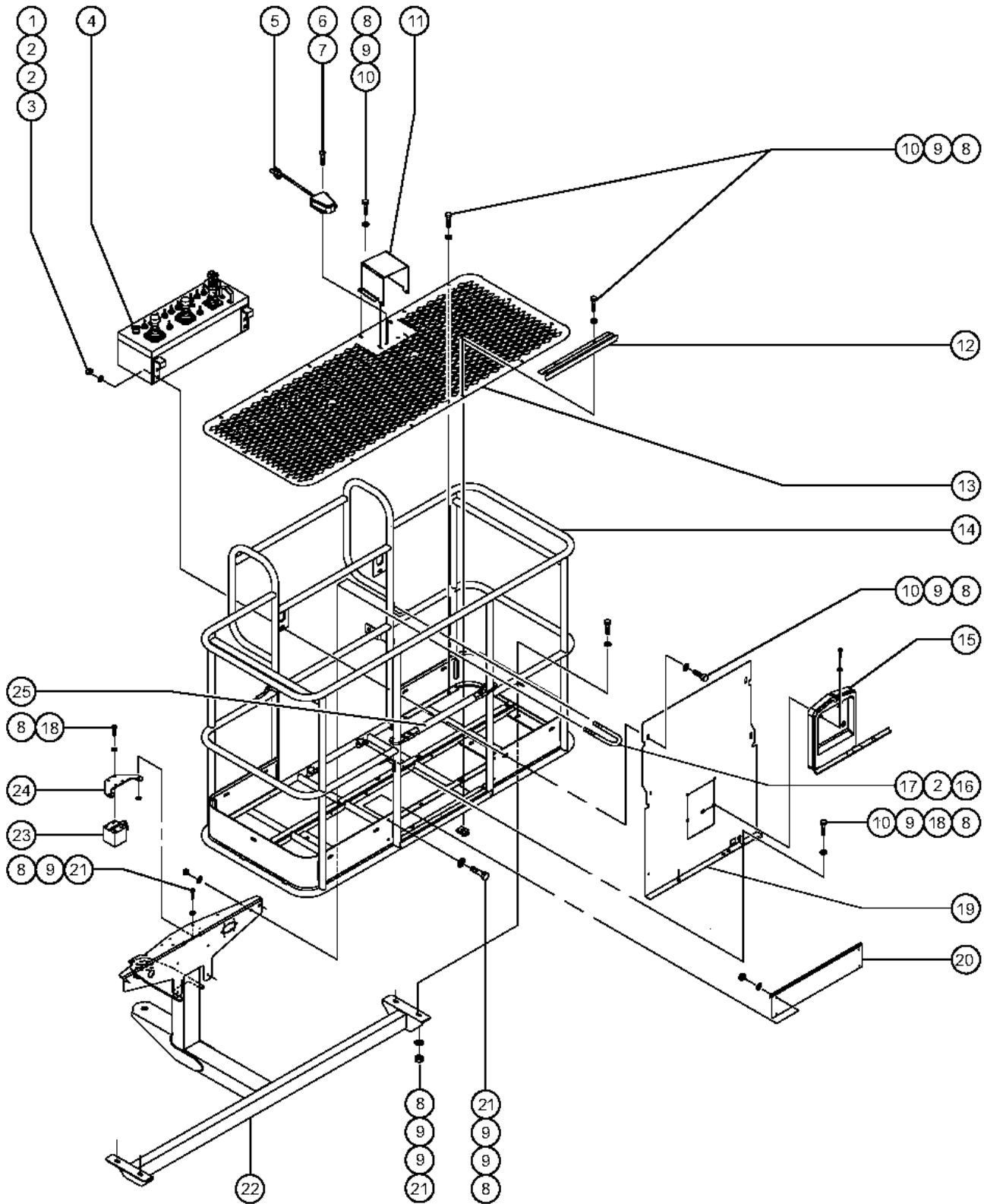
Item	Part No.	Description	Qty.
1	128513	SERVICE KIT,5FT JIB <i>required for first time replacement (includes part number 128534); to SN 6387</i>	
--	128515	SERVICE KIT, 5FT JIB, ARCTIC <i>Arctic option, required for first time replacement; to SN 6387</i>	
--	128534	JIB BOOM ASSY W/WORD DECAL.....1 <i>use ONLY if service kit 128513 has been installed on the machine</i>	1
2	8255	SCREW,HHC,3/8-16 X .75	
3	6021	WASHER,LOCK,.375	
4	81640	WEAR PAD,3 X 1.5 X.625 W/NUTS.....1	1
5	119542	CLAMP,TWO HOSE.....1	1
6	56912	SPRING CLIP,1/4-20,.025-.15X.5.....1	1
7	119536	BRACKET,HOSE CLAMP.....1	1
8	6090	SCREW,HHC,1/4-20 X .75	
9	6638	WASHER,FLAT,USS,1/4"Y	
10	6091	NUT,NYLOCK,1/4-20	
11	8915	SCREW,HHC,1/4-20 X 1.25	
12	128482	HOSE GUIDE, JIB.....1	1
13	128483	BACKING PLATE, HOSE BLOCK, JIB.....2	2
14	128501	CLAMP,JIB HOSE/CABLE.....2	2
--	128519	CLAMP,JIB HOSE/CABLE,ARCTIC <i>(part of the Arctic hose option)</i>	
15	128724	BOLT,CARRIAGE,1/4-20 X 2.75,G2	
16	128454P	COVER, JIB HOSES/CABLES.....1	1
17	79456	BOLT,CARRIAGE,1/4-20 X 1.00,G2	
18	5224	SCREW,HHC,3/8-16 X 2	
19	5397	WASHER,FLAT,USS,5/16",Y	
20	4828	NUT,NYLOCK,3/8-16	
21	77181	CLAMP,1.63,#26 X 3/8,RUB CUSH.....2	2

509.1 Platform Installation



Item	Part No.	Description	Qty.
1	49857	SCREW,HHC,3/8-16 X .88,GRD 8...8	
2	57201	WASHER,FLAT, 313, HARDENED.....8	8
3	73928	SCREW,HHC,1-8 X 11,GRD 5***.....1	1
4	122079	WASHER,FLAT,1.000,HARDENED..1	1
5	29764	NUT,NYLOCK,1-8.....1	1
6		Ref. Platform Mount (refer to 601.1)	
7		Ref. Platform Rotator (refer to 507.1)	

601.1 Platform Installation



## 601.1 Platform Installation

Item	Part No.	Description	Qty.	Item	Part No.	Description	Qty.
--	102539	PLAT.ASSY,4FT,S80 USA/CANADIAN <i>Platform Assemblies with Word Decals; USA and Canadian models; to SN 4666</i>		--	111231	PLAT.ASSY,5FT,S80 AUSTRALIAN <i>Platform Assemblies with Word Decals; Australian models; from SN 4667 to SN 4684</i>	
--	102540	PLAT ASSY,5FT, USA/CANADIAN <i>Platform Assemblies with Word Decals; USA and Canadian models; to SN 4666</i>		--	111232	PLAT.ASSY,6FT,S80 AUSTRALIAN <i>Platform Assemblies with Word Decals; Australian models; from SN 4667 to SN 4684</i>	
--	102541	PLAT ASSY,6FT, USA/CANADIAN <i>Platform Assemblies with Word Decals; USA and Canadian models; to SN 4666</i>		--	111233	PLAT.ASSY,8FT,S80 AUSTRALIAN <i>Platform Assemblies with Word Decals; Australian models; from SN 4667 to SN 4684</i>	
--	102542	PLAT.ASSY,8FT, USA/CANADIAN <i>Platform Assemblies with Word Decals; USA and Canadian models; to SN 4666</i>		--	102539	PLAT.ASSY,4FT,S80 USA/CANADIAN <i>Platform Assemblies with Word Decals; USA and Canadian models; from SN 4685 to SN 4702</i>	
--	102543	PLAT.ASSY,4FT, AUSTRALIAN <i>Platform Assemblies with Word Decals; Australian models; to SN 4666</i>		--	102540	PLAT ASSY,5FT, USA/CANADIAN <i>Platform Assemblies with Word Decals; USA and Canadian models; from SN 4685 to SN 4702</i>	
--	102544	PLAT.ASSY,5FT, AUSTRALIAN <i>Platform Assemblies with Word Decals; Australian models; to SN 4666</i>		--	102541	PLAT ASSY,6FT, USA/CANADIAN <i>Platform Assemblies with Word Decals; USA and Canadian models; from SN 4685 to SN 4702</i>	
--	102545	PLAT.ASSY,6FT, AUSTRALIAN <i>Platform Assemblies with Word Decals; Australian models; to SN 4666</i>		--	102542	PLAT.ASSY,8FT, USA/CANADIAN <i>Platform Assemblies with Word Decals; USA and Canadian models; from SN 4685 to SN 4702</i>	
--	102546	PLAT.ASSY,8FT,S80 AUSTRALIAN <i>Platform Assemblies with Word Decals; Australian models; to SN 4666</i>		--	102543	PLAT.ASSY,4FT, AUSTRALIAN <i>Platform Assemblies with Word Decals; Australian models; from SN 4685 to SN 4702</i>	
--	111226	PLAT.ASSY,4FT, USA/CANADIAN <i>Platform Assemblies with Word Decals; USA and Canadian models; from SN 4667 to SN 4684</i>		--	102544	PLAT.ASSY,5FT, AUSTRALIAN <i>Platform Assemblies with Word Decals; Australian models; from SN 4685 to SN 4702</i>	
--	111227	PLAT ASSY,5FT, USA/CANADIAN <i>Platform Assemblies with Word Decals; USA and Canadian models; from SN 4667 to SN 4684</i>		--	102545	PLAT.ASSY,6FT, AUSTRALIAN <i>Platform Assemblies with Word Decals; Australian models; from SN 4685 to SN 4702</i>	
--	111228	PLAT ASSY,6FT, USA/CANADIAN <i>Platform Assemblies with Word Decals; USA and Canadian models; from SN 4667 to SN 4684</i>		--	102546	PLAT.ASSY,8FT,S80 AUSTRALIAN <i>Platform Assemblies with Word Decals; Australian models; from SN 4685 to SN 4702</i>	
--	111229	PLAT.ASSY,8FT, USA/CANADIAN <i>Platform Assemblies with Word Decals; USA and Canadian models; from SN 4667 to SN 4684</i>		--	111226	PLAT.ASSY,4FT, USA/CANADIAN <i>Platform Assemblies with Word Decals; USA and Canadian models; from SN 4703</i>	
--	111230	PLAT.ASSY,4FT,S80 AUSTRALIAN <i>Platform Assemblies with Word Decals; Australian models; from SN 4667 to SN 4684</i>					

601.1 Platform Installation  
(continued)

Item	Part No.	Description	Qty.	Item	Part No.	Description	Qty.
--	111227	PLAT ASSY,5FT, USA/CANADIAN <i>Platform Assemblies with Word Decals; USA and Canadian models; from SN 4703</i>		--	102553	PLAT.ASSY,6FT,S80 ASIA/S.AMERI <i>Platform Assemblies with Symbol Decals; Asia and South American models</i>	
--	111228	PLAT ASSY,6FT, USA/CANADIAN <i>Platform Assemblies with Word Decals; USA and Canadian models; from SN 4703</i>		--	102554	PLAT.ASSY,8FT,S80 ASIA/S.AMERI <i>Platform Assemblies with Symbol Decals; Asia and South American models</i>	
--	111229	PLAT.ASSY,8FT, USA/CANADIAN <i>Platform Assemblies with Word Decals; USA and Canadian models; from SN 4703</i>		1	7713	NUT,LP NYLOCK,3/8-16	
--	111230	PLAT.ASSY,4FT,S80 AUSTRALIAN <i>Platform Assemblies with Word Decals; Australian models; from SN 4703</i>		2	5397	WASHER,FLAT,USS,5/16",Y	
--	111231	PLAT.ASSY,5FT,S80 AUSTRALIAN <i>Platform Assemblies with Word Decals; Australian models; from SN 4703</i>		3	6019	SCREW,HHC,3/8-16 X 1.25 GRD 5	
--	111232	PLAT.ASSY,6FT,S80 AUSTRALIAN <i>Platform Assemblies with Word Decals; Australian models; from SN 4703</i>		4		Ref. Platform Controls (refer to 602.1 or 603.1)	
--	111233	PLAT.ASSY,8FT,S80 AUSTRALIAN <i>Platform Assemblies with Word Decals; Australian models; from SN 4703</i>		5	228466	KIT, FOOTSWITCH, S40/S60/S80...1 <i>Pervious foot switch is no longer available. Order kit 228466 for first time replacement (kit includes foot switch 227516)</i>	
--	102547	PLAT.ASSY,4FT,S80 EUROPEAN <i>Platform Assemblies with Symbol Decals; European models</i>		--	227516	ASSEMBLY,FOOT SWITCH <i>Part of kit 228466 (the kit is required for first time replacement of previous foot switch)</i>	
--	102548	PLAT.ASSY,5FT,S80 EUROPEAN <i>Platform Assemblies with Symbol Decals; European models</i>		--	33576	CONN,SQZ,BLK,1/2NPT,.38-.50,SM	
--	102549	PLAT.ASSY,6FT,S80 EUROPEAN <i>Platform Assemblies with Symbol Decals; European models</i>		6	73587	SCREW,PHIL,10-24 X .75	
--	102550	PLAT.ASSY,8FT,S80 EUROPEAN <i>Platform Assemblies with Symbol Decals; European models</i>		7	73575	SPRING CLIP,10-24,ZINC	
--	102551	PLAT.ASSY,4FT,S80 ASIA/S.AMERI <i>Platform Assemblies with Symbol Decals; Asia and South American models</i>		8	6090	SCREW,HHC,1/4-20 X .75	
--	102552	PLAT.ASSY,5FT,S80 ASIA/S.AMERI <i>Platform Assemblies with Symbol Decals; Asia and South American models</i>		9	6638	WASHER,FLAT,USS,1/4"Y	
				10	56912	SPRING CLIP,1/4-20,.025-.15X.5	
				11	73931	GUARD,FOOTSWITCH,W/DECAL ALUM.....1 <i>USA, Canada, Australia</i>	
				--	63766	COVER,FOOT SWITCH <i>Europe, Asia, South America</i>	
				12	73610P-S	STEP PLATFORM ENTRY PAINTED.....1	
				13	60160P	FLOORING,4 FT PLATFORM,PAINTED.....1	
				--	54247P	FLOORING,5 FT PLATFORM,PAINTED	
				--	73477P	FLOORING, 6'FT PLATFORM	
				--	73478P	FLOORING, 8'FT PLATFORM	
				14A	77838	WELDMENT W/DECALS,4FT,500LB AN <i>USA and Canadian models; to SN 4666</i>	
				--	73975	PLATFORM RAIL ASSY, 6FT ANSI <i>USA and Canadian models; to SN 4666</i>	



601.1 Platform Installation

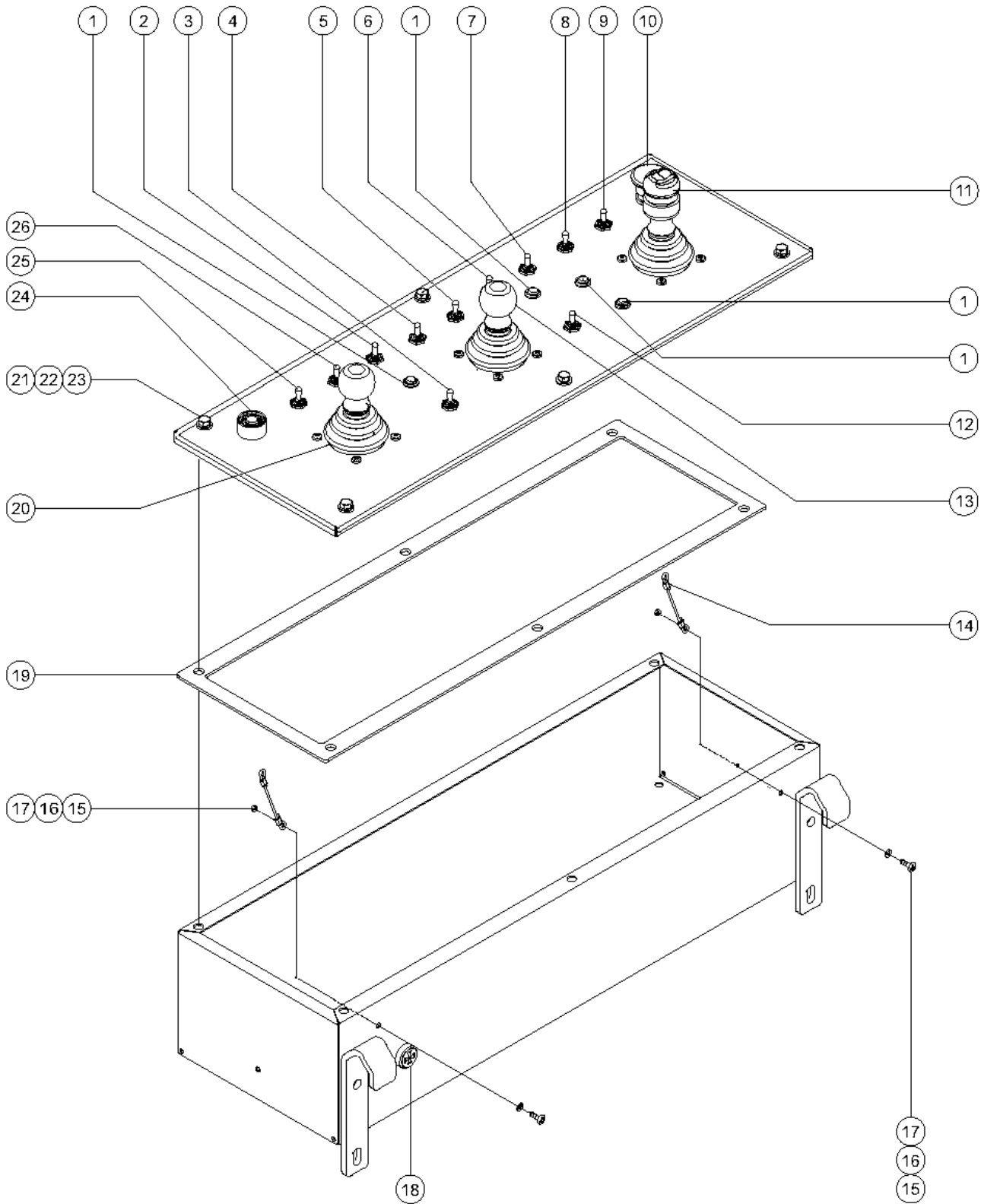
Item	Part No.	Description	Qty.	Item	Part No.	Description	Qty.
--	73976	PLATFORM RAIL ASSY, 8FT, ANSI <i>USA and Canadian models; to SN 4666</i>		--	111253	PLAT RAILW/DECALS 8FT 500 ANSI <i>USA and Canadian models; from SN 4703</i>	
--	77840	WELDMENT W/DECALS,5FT,500LB AN <i>USA and Canadian models; to SN 4666</i>		14E	101374	PLAT ASSEMBLY,4FT,AUSTRALIA <i>Australian models</i>	
14B	111250	PLAT RAILW/DECALS,4FT,500LB AN <i>USA and Canadian models; from SN 4667 to SN 4684</i>		--	101377	PLAT ASSEMBLY,5FT,AUSTRALIA <i>Australian models</i>	
--	111251	PLAT RAILW/DECALS,5FT,500LB AN <i>USA and Canadian models; from SN 4667 to SN 4684</i>		--	101380	PLAT RAIL ASSY,6FT,AUSTRALIA <i>Australian models</i>	
--	111252	PLAT RAILW/DECALS 6FT 500LB AN <i>USA and Canadian models; from SN 4667 to SN 4684</i>		--	101383	PLAT RAIL ASSY,8FT,AUSTRALIA <i>Australian models</i>	
--	111253	PLAT RAILW/DECALS 8FT 500 ANSI <i>USA and Canadian models; from SN 4667 to SN 4684</i>		14F	101373	PLATFORM ASSEMBLY,4FT,CE/UK <i>European models</i>	
14C	77838	WELDMENT W/DECALS,4FT,500LB AN <i>USA and Canadian models; from SN 4685 to SN 4702</i>		--	101376	PLATFORM ASSEMBLY,5FT,CE/UK <i>European models</i>	
--	73975	PLATFORM RAIL ASSY, 6FT ANSI <i>USA and Canadian models; from SN 4685 to SN 4702</i>		--	101379	PLATFORM RAIL ASSY,6FT,CE/UK <i>European models</i>	
--	73976	PLATFORM RAIL ASSY, 8FT, ANSI <i>USA and Canadian models; from SN 4685 to SN 4702</i>		--	101382	PLATFORM RAIL ASSY,8FT,CE/UK <i>European models</i>	
--	77840	WELDMENT W/DECALS,5FT,500LB AN <i>USA and Canadian models; from SN 4685 to SN 4702</i>		14G	101375	PLAT ASSEMBLY,4FT,ASIA/S AM <i>Asia and South American models</i>	
14D	111250	PLAT RAILW/DECALS,4FT,500LB AN <i>USA and Canadian models; from SN 4703</i>		--	101378	PLAT ASSEMBLY,5FT,ASIA/S AM <i>Asia and South American models</i>	
--	111251	PLAT RAILW/DECALS,5FT,500LB AN <i>USA and Canadian models; from SN 4703</i>		--	101381	PLAT ASSEMBLY,6FT,ASIA/S AM <i>Asia and South American models</i>	
--	111252	PLAT RAILW/DECALS 6FT 500LB AN <i>USA and Canadian models; from SN 4703</i>		--	101384	PLAT ASSEMBLY,8FT,ASIA/S AM <i>Asia and South American models</i>	
				15	44743	MANUAL BOX W/DECALS***.....1 <i>USA, Canada, Australia</i>	
				--	24514	BOX,INSTRUCTION STORAGE <i>Europe, Asia, South America</i>	
				16	6550	U-BOLT,3/8 X 1 YZ.....2	
				17	4828	NUT,NYLOCK,3/8-16	
				18	6356	WASHER,LOCK,,25	
				19	77844	DECAL PLATE W/DECALS,S80/85 2K.....1 <i>to SN 3576</i>	
				--	102537	DECAL PLATE W/WRD DECAL S80Z80 <i>USA, Canada, Australia; from SN 4685 to SN 4702</i>	
				--	102538	DECAL PLATE W/SYM DECAL S80Z80 <i>Europe, Asia, South America; from SN 3577</i>	

601.1 Platform Installation  
 (continued)

Item	Part No.	Description	Qty.
--	111276	DECAL PLATE ASSY W/WORD DECALS <i>USA, Canada, Australia; from SN 4703</i>	
20	94745P	TOEBOARD,ENTRY EUROPEAN PNTD**.....1	1
21	6091	NUT,NYLOCK,1/4-20	
--	Ref.	WELDMNT,PLATFORM SUPPORT,CE <i>CE models (refer to 809.1 )</i>	
22A	60370-S	PLATFORM SUPPORT WELDMNT-SERV*.....1 <i>ANSI models</i>	1
22B	102679	OPTION,PLAT SUPPORT,4/5FT SRV	
23		Ref. Jib/Rotate Manifold (refer to 706.1)	
24	77968P	PLATE,JIB,ROTATE MANIFOLD.....1	1
25	102992	SLIDING MIDRAIL KIT,PTD.....1	1
--	12443	MIDRAIL GUIDE ( HOOK )	
--	139451	TUBE,SLIDING MIDRAIL,PAINTED	
--	20973	WIRE LOOM,3/8 POLY SLIT	
--	21121	CABLE TIE,4" BLK,HEAT RESISTNT	
--	6091	NUT,NYLOCK,1/4-20	
--	6638	WASHER,FLAT,USS,1/4"Y	
--	6888	SCREW,HHC,1/4-20 X 1	
--	97815	DECAL,LABEL,LOWER MIDRAIL	

*This Page Intentionally Left Blank*

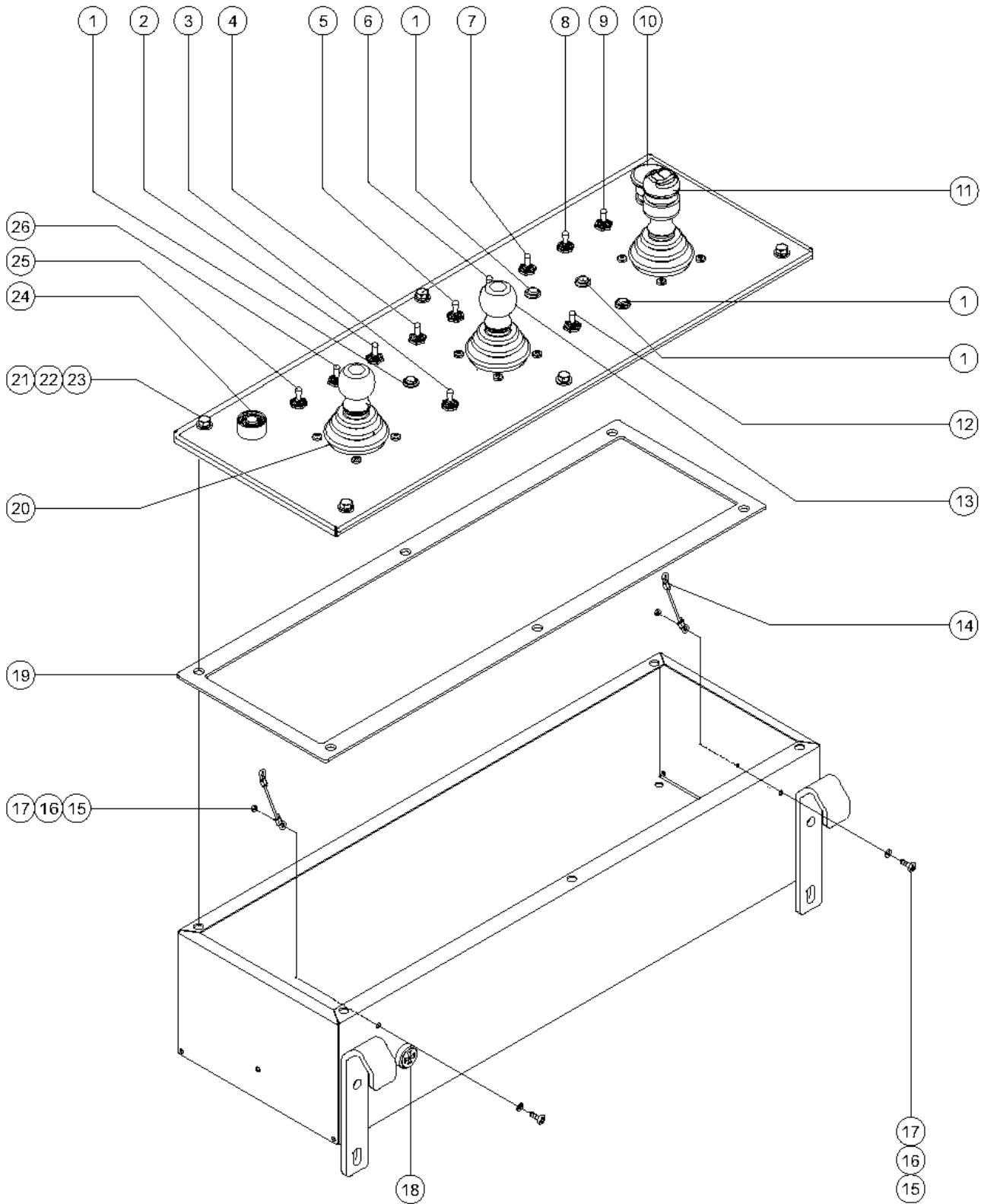
602.1 Platform Controls, S-80 - View 1



602.1 Platform Controls, S-80 - View 1

Item	Part No.	Description	Qty.	Item	Part No.	Description	Qty.
--	62272	PLAT.CNTRL.BOX W/DECAL		9	128204	SWITCH TOGGLE ASSY SPDT 2P MNT.....	1
--	111420	OPTION,ROCKER STEER		--	229567	PLUG, SANTOPRENE .5 BLACK DOME	
--	102724	WIRE,MOUNT ADHESIVE BACK		10	66812	BUTTON,PUSH,RED MUSHROOM HEAD.....	1
--	122124	SERVICE KIT,S80 PBOX J1 HARN <i>required for first time replacement, contains harness part 122218 and qty 3 of adapter 122125; to SN 5519</i>		--	146478	BOOT(BELLOWS),E-STOP,BLACK	
--	122125	ADAPTER CABLE, JS100 JOYSTICK <i>to SN 5519</i>		--	66818	CONTACT,NC	
--	122218	HARNESS,SERVICE,PBOX J1,S80 <i>from SN 5520</i>		--	94506	BASE,W/3 NC CONTACTS	
--	122219	HARNESS,SERVICE,PBOX J2,S80 <i>from SN 5520</i>		11		JOYSTICK.....	1
--	122220	HARNESS,SERVICE,PBOX J3,S80 <i>from SN 5520</i>		12	128200	SWITCH TOGGLE ASSY SPDT 3P MOM.....	1
--	111414	JOYSTICK CONNECTOR ASSEM,AMP <i>to SN 5519</i>		13		JOYSTICK.....	1
--	111413	JOYSTICK CONNECTOR ASSEM,DEUT <i>from SN 5520</i>		14	77351	LANYARD,PLATFORM CONTROL BOX.....	2
--	128205	SWITCH TOGGLE ASSY DPDT 2P MNT		15	54365	SCREW,PHIL,PHM,10-32 X .5,SSTL	
--	27246	BOOT,TOGGLE SWITCH,SHORT*		16	6146	WASHER,FLAT,MS,#10,Y	
--	128578	SCREW T-SWITCH PH/PH 6-32X1/4		17	6178	NUT,NYLOCK,10-32	
1	824879	LIGHT,LED IND. RED 12V NH <i>(Complete LED light assembly)</i>		18	45383	ALARM,WARBLE TONE 5-30 VDC*** <i>Does not include 72326 nut</i>	1
--	229567	PLUG, SANTOPRENE .5 BLACK DOME		--	72326	NUT - PLASTIC,RING FOR ALARMS	
3	128202	SWITCH TOGGLE ASSY DPDT 3P MOM.....	1	19	81488	GASKET,PLATFORM CONTROL BOX.....	1
4	128201	SWITCH TOGGLE ASSY DPDT 2P MOM.....	1	20		JOYSTICK.....	1
5	128204	SWITCH TOGGLE ASSY SPDT 2P MNT.....	1	21	8914	SCREW,HHC,1/4-20 X .625	
--	229567	PLUG, SANTOPRENE .5 BLACK DOME		22	6356	WASHER,LOCK,.25	
6	128200	SWITCH TOGGLE ASSY SPDT 3P MOM.....	1	23	6638	WASHER,FLAT,USS,1/4"Y	
--	229567	PLUG, SANTOPRENE .5 BLACK DOME		24	66813	BUTTON,PUSH,BLACK W/SEAL***	1
7	128200	SWITCH TOGGLE ASSY SPDT 3P MOM.....	1	--	66815	BASE, W/1 N.O. CONTACTS*** <i>includes 1 each N.O. contact</i>	
8	128204	SWITCH TOGGLE ASSY SPDT 2P MNT.....	1	--	66816	CONTACT,N.O.	
				25	128200	SWITCH TOGGLE ASSY SPDT 3P MOM.....	1
				26	128202	SWITCH TOGGLE ASSY DPDT 3P MOM.....	1

602.1 Platform Controls, S-85 - View 1



602.1 Platform Controls, S-85 - View 1

Item	Part No.	Description	Qty.	Item	Part No.	Description	Qty.
--	62272	PLAT.CNTRL.BOX W/DECAL		6	128200	SWITCH TOGGLE ASSY SPDT 3P MOM.....	1
--	111420	OPTION,ROCKER STEER		--	229567	PLUG, SANTOPRENE .5 BLACK DOME	
--	102724	WIRE,MOUNT ADHESIVE BACK		7	128200	SWITCH TOGGLE ASSY SPDT 3P MOM.....	1
--	128125	SERVICE KIT JIB TIME DLY IC		8	128204	SWITCH TOGGLE ASSY SPDT 2P MNT.....	1
--	119867	WIRING KIT,JIB TIME DELAY IC		9	128204	SWITCH TOGGLE ASSY SPDT 2P MNT.....	1
--	19274	RELAY,SPDT,12V(AUTO)**		--	229567	PLUG, SANTOPRENE .5 BLACK DOME	
--	43181	CAPACITOR,TIME DELAY		10	66812	BUTTON,PUSH,RED MUSHROOM HEAD.....	1
--	122124	SERVICE KIT,S80 PBOX J1 HARN <i>required for first time replacement, contains harness part 122218 and qty 3 of adapter 122125; to SN 5519</i>		--	146478	BOOT(BELLOWS),E-STOP,BLACK	
--	122125	ADAPTER CABLE, JS100 JOYSTICK <i>to SN 5519</i>		--	66818	CONTACT,NC	
--	122218	HARNESS,SERVICE,PBOX J1,S80 <i>from SN 5520</i>		--	94506	BASE,W/3 NC CONTACTS	
--	122219	HARNESS,SERVICE,PBOX J2,S80 <i>from SN 5520</i>		11		JOYSTICK.....	1
--	122220	HARNESS,SERVICE,PBOX J3,S80 <i>from SN 5520</i>				<i>refer to 604.1 or 604.2</i>	
--	111414	JOYSTICK CONNECTOR ASSEM,AMP <i>to SN 5519</i>		12	128200	SWITCH TOGGLE ASSY SPDT 3P MOM.....	1
--	111413	JOYSTICK CONNECTOR ASSEM,DEUT <i>from SN 5520</i>		13		JOYSTICK.....	1
--	88807	HARNESS,JIB,BIG BOOM				<i>refer to 604.1 or 604.2</i>	
--	128205	SWITCH TOGGLE ASSY DPDT 2P MNT		14	77351	LANYARD,PLATFORM CONTROL BOX.....	2
--	27246	BOOT,TOGGLE SWITCH,SHORT*		15	54365	SCREW,PHIL,PHM,10-32 X .5,SSTL	
--	128578	SCREW T-SWITCH PH/PH 6-32X1/4		16	6146	WASHER,FLAT,MS,#10,Y	
1	824879	LIGHT,LED IND. RED 12V NH <i>(Complete LED light assembly)</i>		17	6178	NUT,NYLOCK,10-32	
--	229567	PLUG, SANTOPRENE .5 BLACK DOME		18	45383	ALARM,WARBLE TONE 5-30 VDC***	1
2	128200	SWITCH TOGGLE ASSY SPDT 3P MOM.....	1	--	72326	NUT - PLASTIC,RING FOR ALARMS	
3	128202	SWITCH TOGGLE ASSY DPDT 3P MOM.....	1	19	81488	GASKET,PLATFORM CONTROL BOX.....	1
4	128201	SWITCH TOGGLE ASSY DPDT 2P MOM.....	1	20		JOYSTICK.....	1
5	128204	SWITCH TOGGLE ASSY SPDT 2P MNT.....	1			<i>refer to 604.1 or 604.2</i>	
--	229567	PLUG, SANTOPRENE .5 BLACK DOME		21	8914	SCREW,HHC,1/4-20 X .625	
				22	6356	WASHER,LOCK,,25	
				23	6638	WASHER,FLAT,USS,1/4"Y	
				24	66813	BUTTON,PUSH,BLACK W/SEAL***	1
				--	66815	BASE, W/1 N.O. CONTACTS*** <i>includes 1 each N.O. contact</i>	
				--	66816	CONTACT,N.O.	

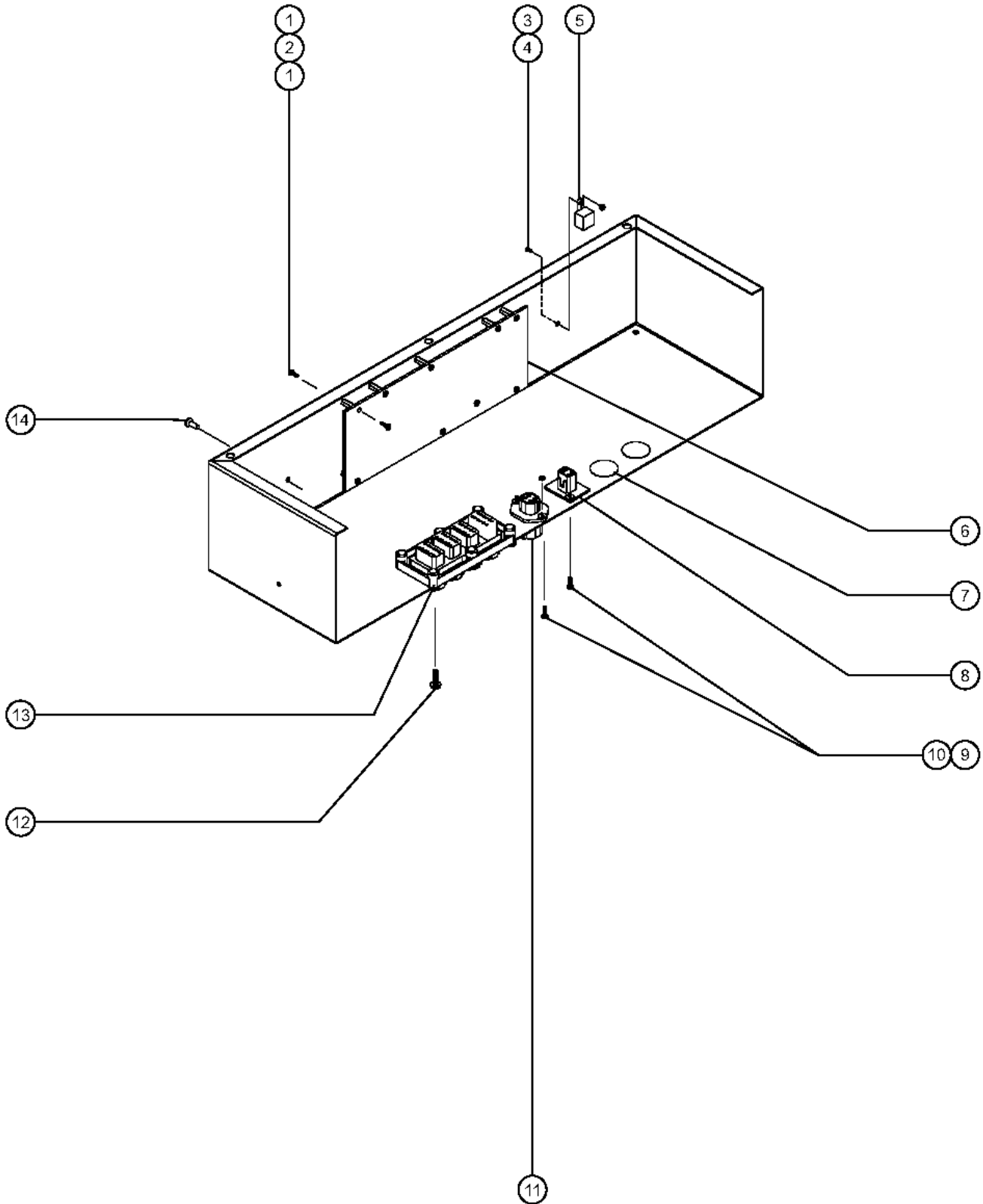
602.1 Platform Controls, S-85 - View 1  
(continued)

Item	Part No.	Description	Qty.
25	128200	SWITCH TOGGLE ASSY SPDT 3P MOM.....	1
26	128202	SWITCH TOGGLE ASSY DPDT 3P MOM.....	1



*This Page Intentionally Left Blank*

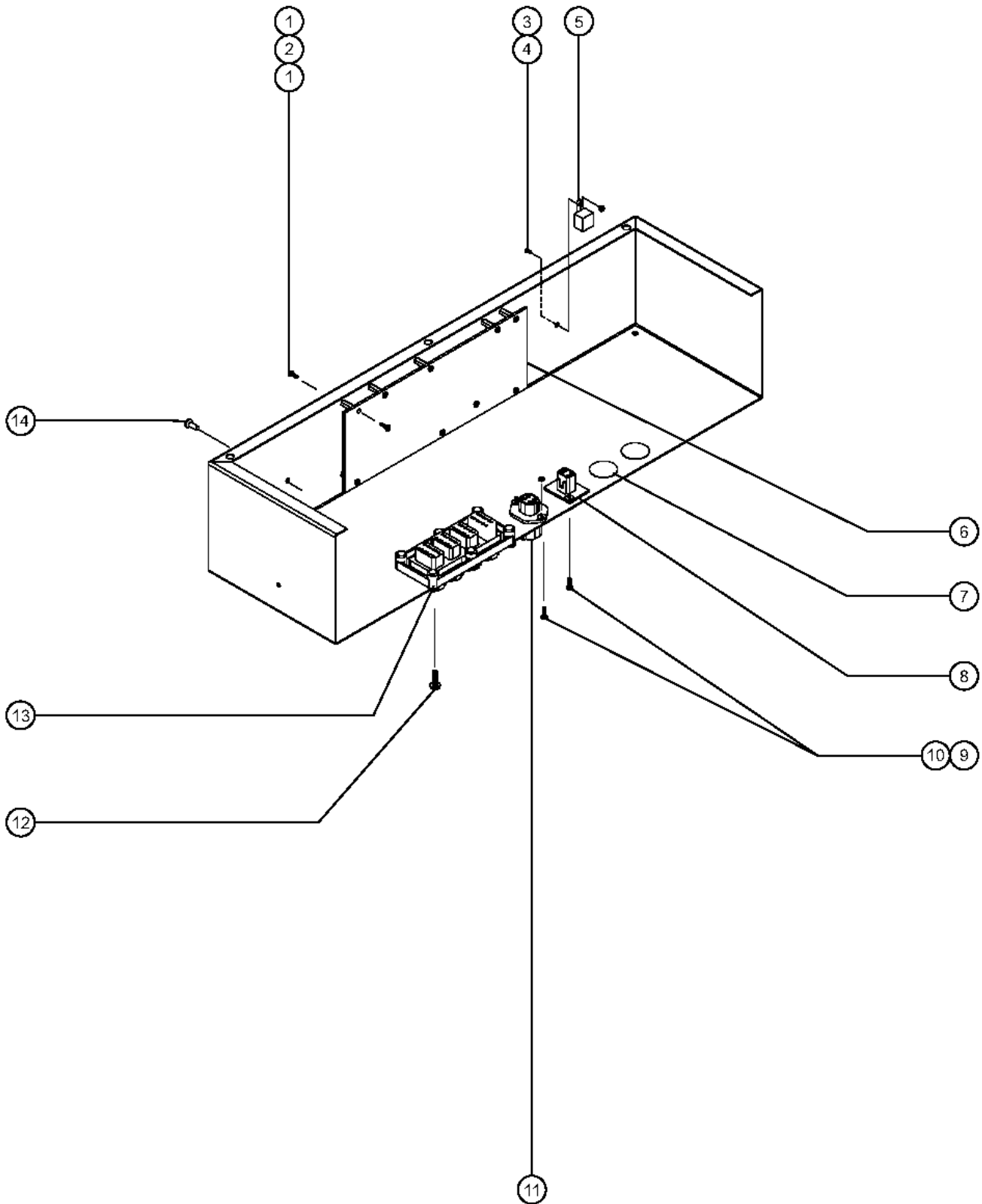
603.1 Platform Controls, S-80 - View 2



603.1 Platform Controls, S-80 - View 2

Item	Part No.	Description	Qty.	Item	Part No.	Description	Qty.
--	77432	BOOT,2 X 12 WAY		--	73711	TERM,DEUTSCH, PIN #12-14	
--	81448	HARNESS,QDCON,12V TO PLAT,NJ		12	73803	SCREW,SHM,PHP, #12 X .75	
--	81450	HARNESS,18/19,BOOM CABLE 1,NJ		13	73736	CONN,RECEP 48 WAY,4 X 12.....1	
--	81452	HARNESS,18/19,BOOM CABLE 2 NJ		--	54255	LOCK,RECEP 12 WAY, 14-18GA	
1	81551	SCREW,PHIL,PHM,6-32 X 1/4 SS		--	73713	TERM,NI PIN,S&F,16-18GA,REEL	
2	81550	STANDOFF,6-32 X 3/8L X 1/4 HEX.....10		14	42781	PLUG,DOWEL,1/4 PLASTIC.....1	
3	54365	SCREW,PHIL,PHM,10-32 X .5,SSTL <i>European models</i>					
4	6178	NUT,NYLOCK,10-32 <i>European models</i>					
5	19274	RELAY,SPDT,12V(AUTO)** .....2 <i>European models</i>					
6	235403	ASSY,PCB,ALC500 S80 LEG V201 <i>Machine model and serial number required when ordering. Please contact Genie Service Parts for assistance</i>					
--	235405	DECAL LBL ALC500 S80 LEG V201					
--	119662	ACCESS PBOX HEATER ALC500/1000					
--	119250	BRACKET,PLATFORM HEATER OPT.....1					
--	119560	WIRING KIT,CONTROL BOX HEATER.....1					
--	27287	RESISTOR,10 OHM,25 WATT.....2					
--	119641	SWITCH,THERMOSTAT 85F OPEN.....1					
--	119534	STANDOFF,1/4X1/4 M-F 6-32 S/S.....1					
--	128204	SWITCH TOGGLE ASSY SPDT 2P MNT.....1					
--	T115352	DECAL,OPTION CONTROL BOX HEATR.....1					
7	45385	PLUG,NYLON 1.12 BLACK DOMED.....2 <i>shown</i>					
--	6935	LOCKNUT,ELEC,1/2"					
8	73723	CONN RECEP,FLANGED.....1					
--	60443	LOCK,RECEP 4 WAY,14-18GA					
9	49820	SCREW,PHILLIPS,PHM,6-32 X .5					
10	12344	NUT,NYLOCK,6-32					
11	73717	CONN,RECEP 4 WAY,12-14GA FL***.....1					
--	60526	LOCK,RECEP 4 WAY,12-14GA					

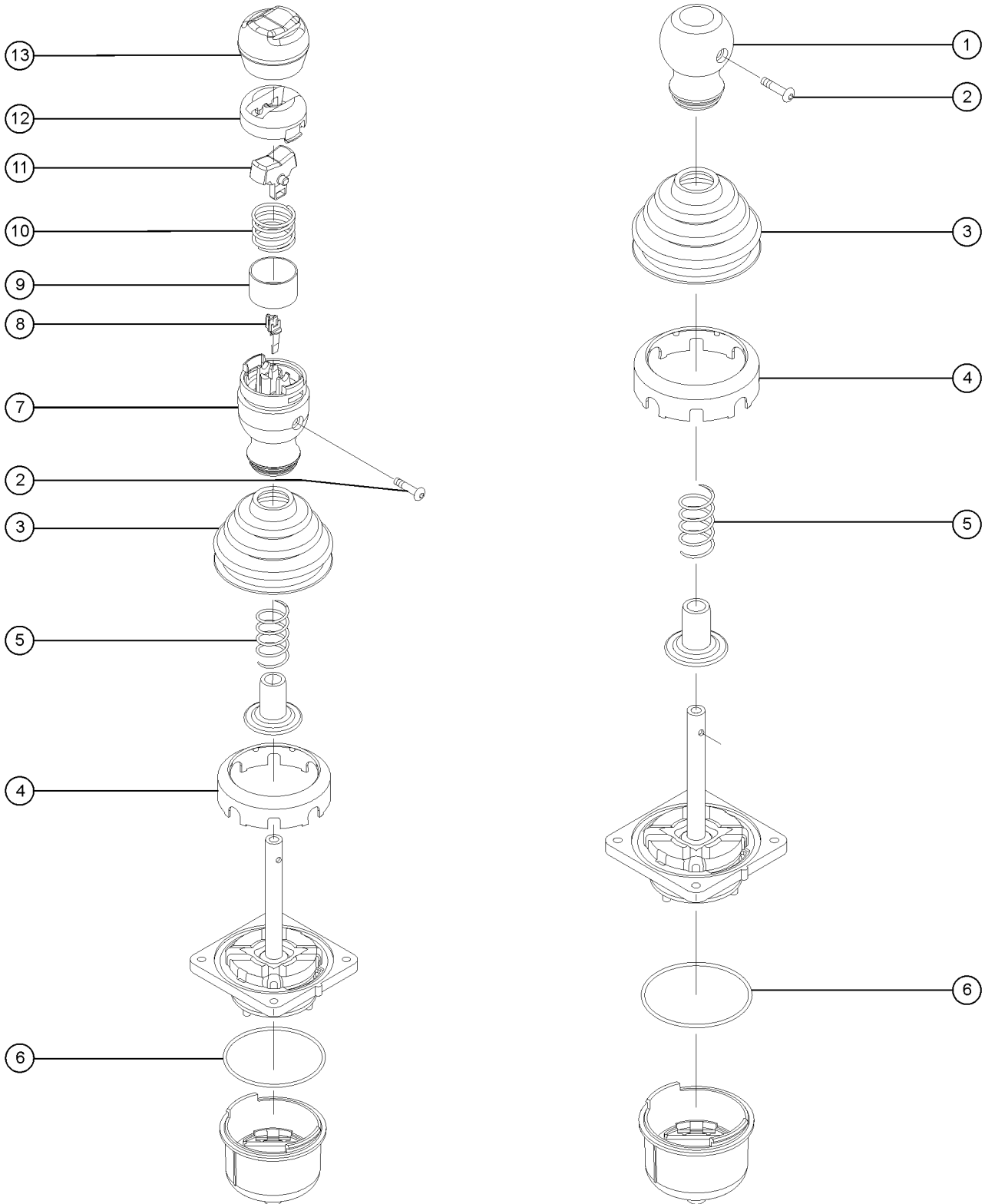
603.1 Platform Controls, S-85 - View 2



603.1 Platform Controls, S-85 - View 2

Item	Part No.	Description	Qty.	Item	Part No.	Description	Qty.
--	77432	BOOT,2 X 12 WAY		--	73711	TERM,DEUTSCH, PIN #12-14	
--	81449	HARNESS,QDCON,12V TO PLAT,JIB		12	73803	SCREW,SHM,PHP, #12 X .75	
--	81451	HARNESS,18/19,BOOM CABLE 1,JIB		13	73736	CONN,RECEP 48 WAY,4 X 12.....1	
--	81453	HARNESS,18/19,BOOM CABLE 2 JIB		--	54255	LOCK,RECEP 12 WAY, 14-18GA	
1	81551	SCREW,PHIL,PHM,6-32 X 1/4 SS		--	73713	TERM,NI PIN,S&F,16-18GA,REEL	
2	81550	STANDOFF,6-32 X 3/8L X 1/4 HEX.....10		14	42781	PLUG,DOWEL,1/4 PLASTIC.....1	
3	54365	SCREW,PHIL,PHM,10-32 X .5,SSTL <i>European models</i>					
4	6178	NUT,NYLOCK,10-32 <i>European models</i>					
5	19274	RELAY,SPDT,12V(AUTO)** .....2 <i>European models</i>					
6	235403	ASSY,PCB,ALC500 S80 LEG V201 <i>Machine model and serial number required when ordering. Please contact Genie Service Parts for assistance</i>					
--	235405	DECAL LBL ALC500 S80 LEG V201					
--	119662	ACCESS PBOX HEATER ALC500/1000					
--	119250	BRACKET,PLATFORM HEATER OPT.....1					
--	119560	WIRING KIT,CONTROL BOX HEATER.....1					
--	27287	RESISTOR,10 OHM,25 WATT.....2					
--	119641	SWITCH,THERMOSTAT 85F OPEN.....1					
--	119534	STANDOFF,1/4X1/4 M-F 6-32 S/S.....1					
--	128204	SWITCH TOGGLE ASSY SPDT 2P MNT.....1					
--	T115352	DECAL,OPTION CONTROL BOX HEATR.....1					
7	45385	PLUG,NYLON 1.12 BLACK DOMED.....2 <i>shown</i>					
--	6935	LOCKNUT,ELEC,1/2"					
8	73723	CONN RECEP,FLANGED.....1					
--	60443	LOCK,RECEP 4 WAY,14-18GA					
9	49820	SCREW,PHILLIPS,PHM,6-32 X .5					
10	12344	NUT,NYLOCK,6-32					
11	73717	CONN,RECEP 4 WAY,12-14GA FL***.....1					
--	60526	LOCK,RECEP 4 WAY,12-14GA					

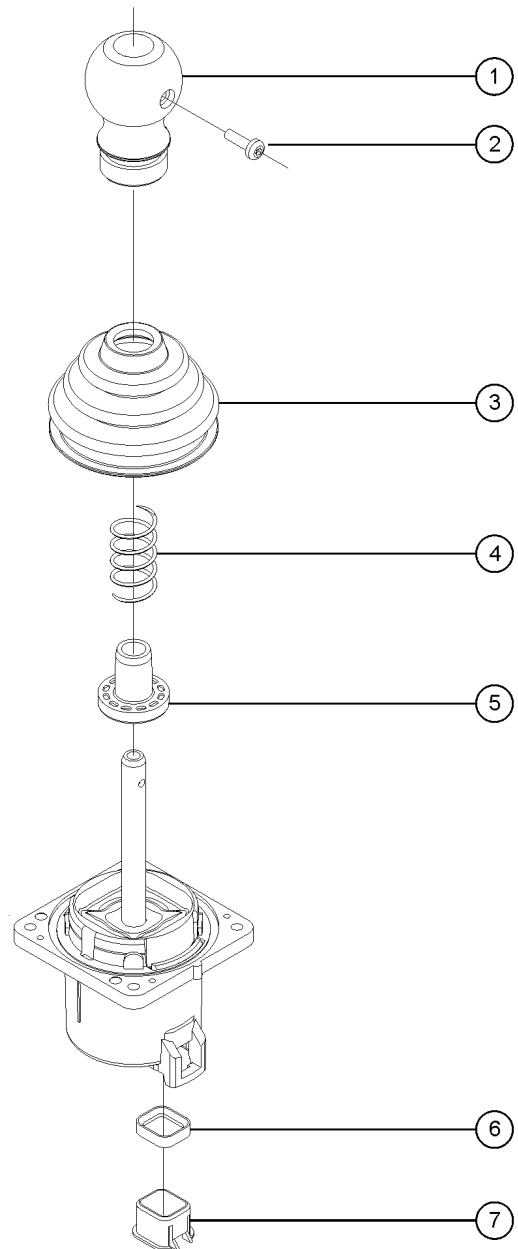
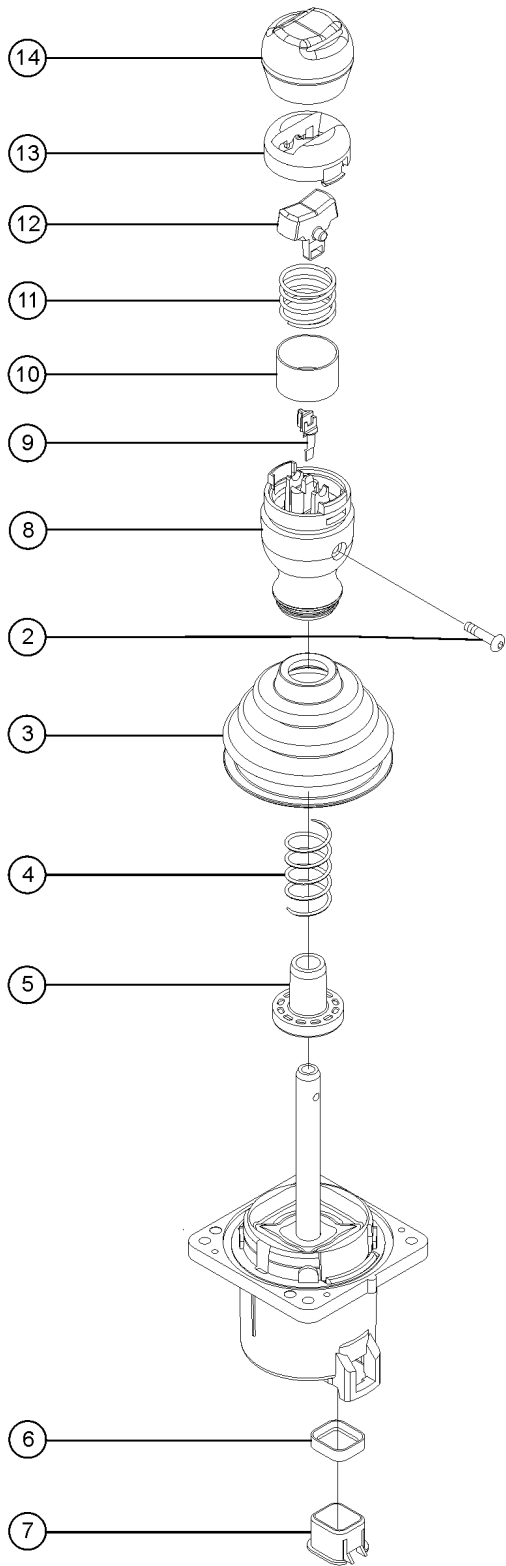
604.1 Joysticks (to SN 5519)



## 604.1 Joysticks (to SN 5519)

Item	Part No.	Description	Qty.
--	111417	JOYSTICK W/HARN ADPTR, 2 AXIS <i>this kit converts joystick to Deutsch style connection (OEM joystick); after first time replacement, refer to section 604.2</i>	
--	111415	JOYSTICK W/HARN ADPTR, 1 AXIS <i>this kit converts joystick to Deutsch style connection (OEM joystick); after first time replacement, refer to section 604.2</i>	
--	111416	JOYSTICK W/HARN ADPTR KIT RCKR <i>this kit converts joystick to Deutsch style connection (OEM joystick); after first time replacement, refer to section 604.2</i>	
--	83098	TERM,AMP MTE,SOC,22-26 GA BULK	
--	119613	HARN JOYSTICK ADAPTOR JS100 <i>for first time replacement only</i>	
1	62392	KNOB,JOYSTICK, 62390/62391.....	1
2	T112626	SCREW, PHM, #6-32 X .625 ZINC.....	1
3	139598	BOOT,JOYSTICK.....	1
4	75143	BOOT GUARD, JOYSTICK 62390/91.....	1
5	62395	SPRING,JOYSTK CENTR,62390/91.....	1
6		O-RING,JOYSTICK, 62390/62391... <i>no longer available from supplier</i>	1
7	75449	KNOB,ROCKER JOYSTICK 75565.....	1
8	75448	SUPPORT,SENSOR,JOYSTICK.....	1
9	75447	SWITCH SHIELD,ROCK JOYSTK75565.....	1
10	75446	SPRING,SWITCH CENTERING,75565.....	1
11	75445	ROCKER ASSY.,MAGNETIC 75565.....	1
12	75444	ROCKER,RETAINER, 75565.....	1
13	75443	BOOT, ROCKER JOYSTICK 75565.....	1

604.2 Joysticks (from SN 5520)

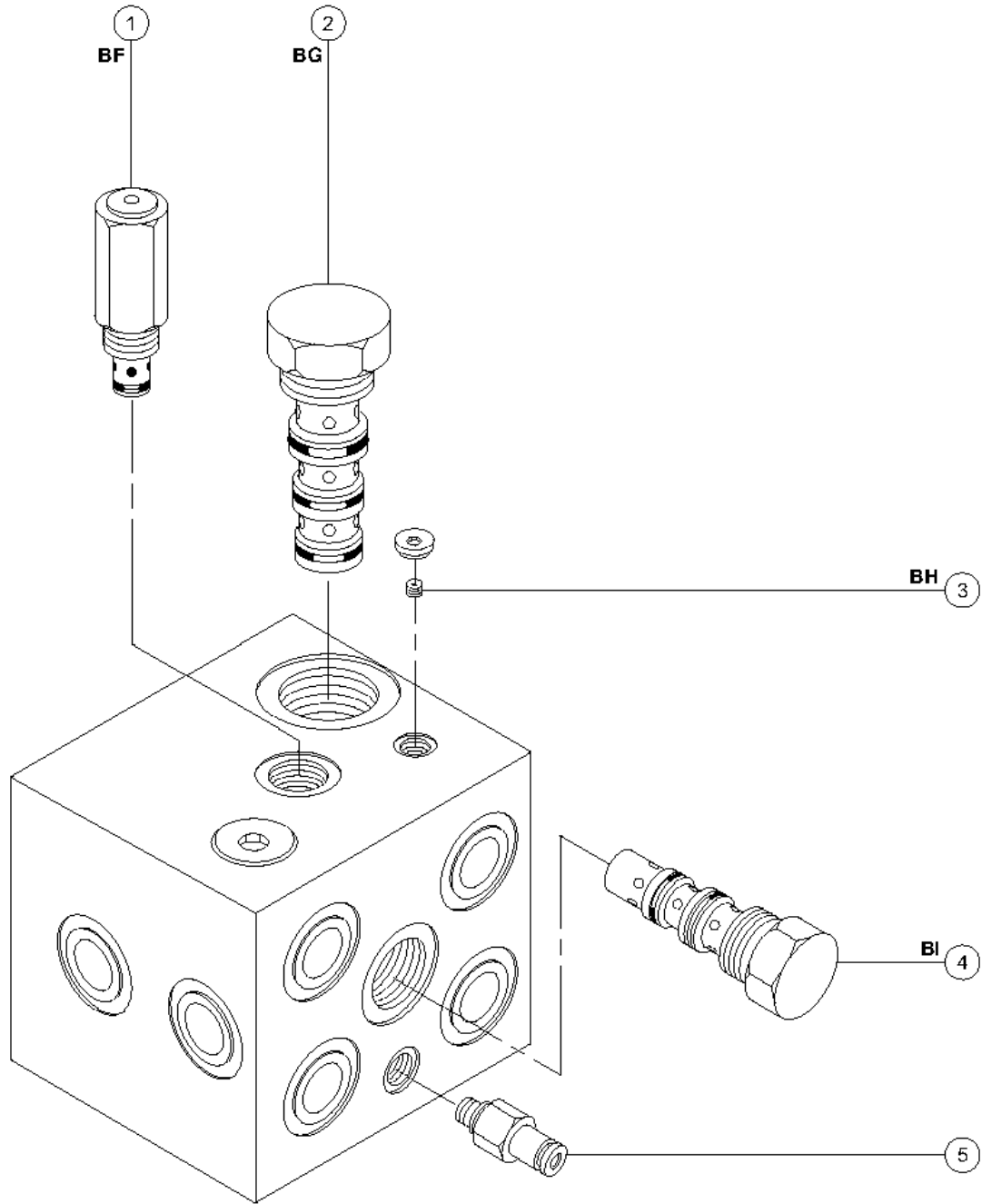




## 604.2 Joysticks (from SN 5520)

Item	Part No.	Description	Qty.
--	101174	JOYSTICK,2 AXIS,DEUTSCH <i>OEM joystick (calibration required after replacement)</i>	
--	101174H	JOYSTICK,DUAL AXIS W/KNOB <i>aftermarket joystick (calibration required after replacement)</i>	
--	101175	JOYSTICK,1 AXIS,DEUTSCH <i>OEM joystick (calibration required after replacement)</i>	
--	101175H	JOYSTICK,SINGLE AXIS W/KNOB <i>aftermarket joystick (calibration required after replacement)</i>	
--	101005	JOYSTICK,1 AXIS ROCKER,DEUTSCH <i>OEM joystick (calibration required after replacement)</i>	
--	101005H	JOYSTICK,SINGLE AXIS W/STEER <i>aftermarket joystick (calibration required after replacement)</i>	
--	83098	TERM,AMP MTE,SOC,22-26 GA BULK	
--	119613	HARN JOYSTICK ADAPTOR JS100 <i>Used only on units prior to SN 420</i>	
1	62392	KNOB,JOYSTICK, 62390/62391.....	1
2	T112626	SCREW, PHM, #6-32 X .625 ZINC.....	1
3	139598	BOOT,JOYSTICK.....	1
4	62395	SPRING,JOYSTK CENTR,62390/91.....	1
5	119915	COLLAR,JOYSTICK,CENTER.....	1
6	128000	SEAL, CONNECTOR (DT JOYSTICKS).....	1
7	128001	SLEEVE,CONNECTOR,DT JOYSTICKS.....	1
8	75449	KNOB,ROCKER JOYSTICK 75565.....	1
9	75448	SUPPORT,SENSOR,JOYSTICK.....	1
10	75447	SWITCH SHIELD,ROCK JOYSTK75565.....	1
11	75446	SPRING,SWITCH CENTERING,75565.....	1
12	75445	ROCKER ASSY.,MAGNETIC 75565.....	1
13	75444	ROCKER,RETAINER, 75565.....	1
14	75443	BOOT, ROCKER JOYSTICK 75565.....	1

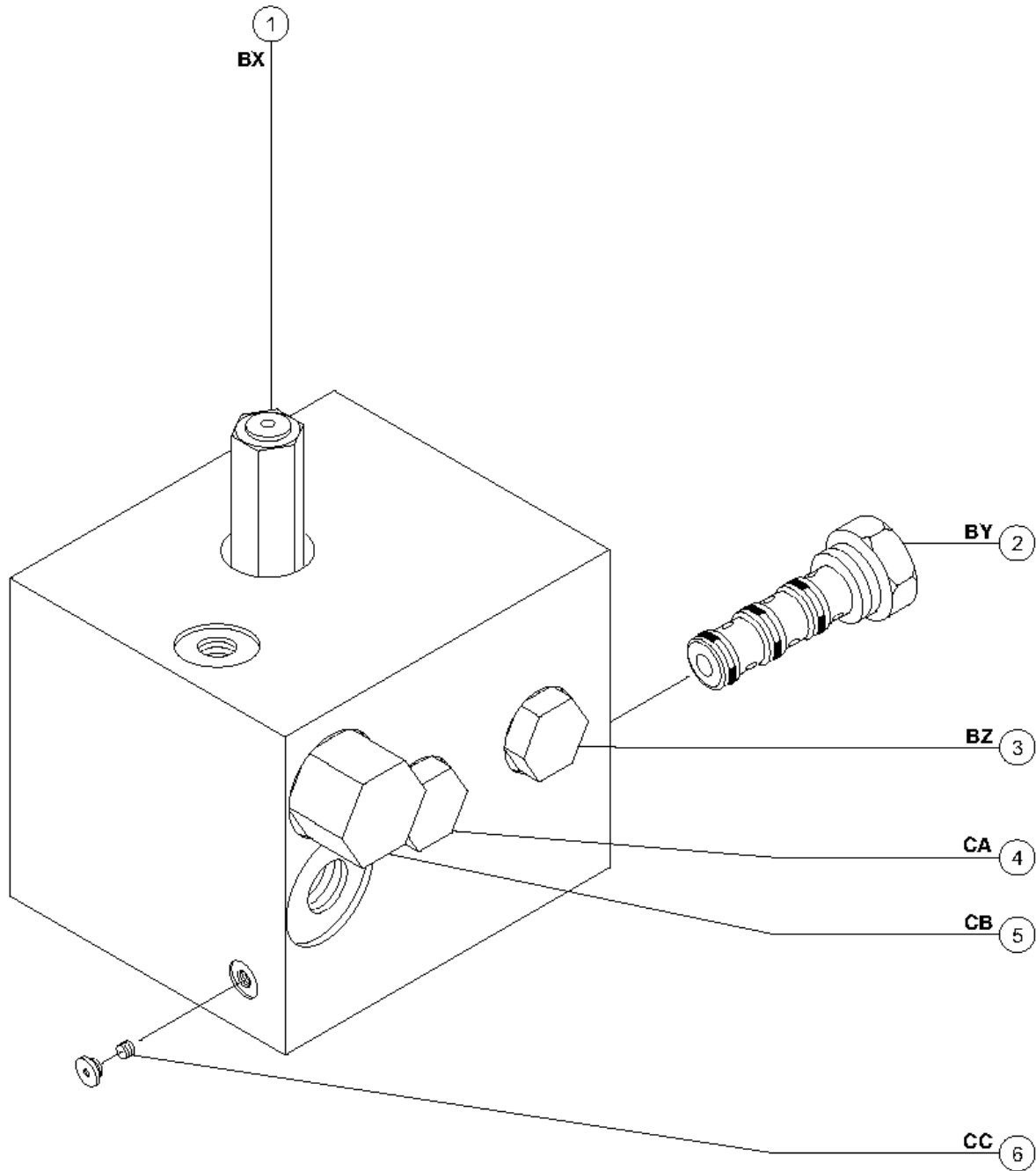
701.1 2WD Traction Manifold (to SN 3834)



## 701.1 2WD Traction Manifold (to SN 3834)

Item	Part No.	Description	Qty.
--	28750	O-RING KIT,FIELD SVC,ALL PROD*	
--	34448	TRACTION MANIFOLD,2WD*** <i>(complete)</i>	
--	49612	O-RING KIT (ORFS FITTINGS)	
--	49613	PLUG AND CAP KIT-SERVICE,ORFS*	
1	43597	VALVE,RELIEF,210 PSI <i>BF, Charge pressure circuit</i>	
--	110194	SEAL KIT, VALVE, #10	
2	52726	VALVE,FLOW DIVIDER/COMBINER <i>BG, Controls flow to drive motors In forward and reverse</i>	
--	84135	SEAL KIT, VALVE	
3	33520	PLUG,ORIFICE,0.070 <i>BH, Orifice plug, 0.07 inch</i>	
4	27761	VALVE,SHUTTLE <i>BI, Charge pressure circuit that gets hot oil out of low pressure side of drive pump</i>	
--	84134	SEAL KIT, VALVE	
5	48997	NIPPLE,DIAGNOSTIC,#4 PORT*** <i>Testing</i>	
--	20224	DIAGNOSTIC FEMALE Q-DSCNT	
--	48880	CAP,DIAGNOSTIC NIPPLE	

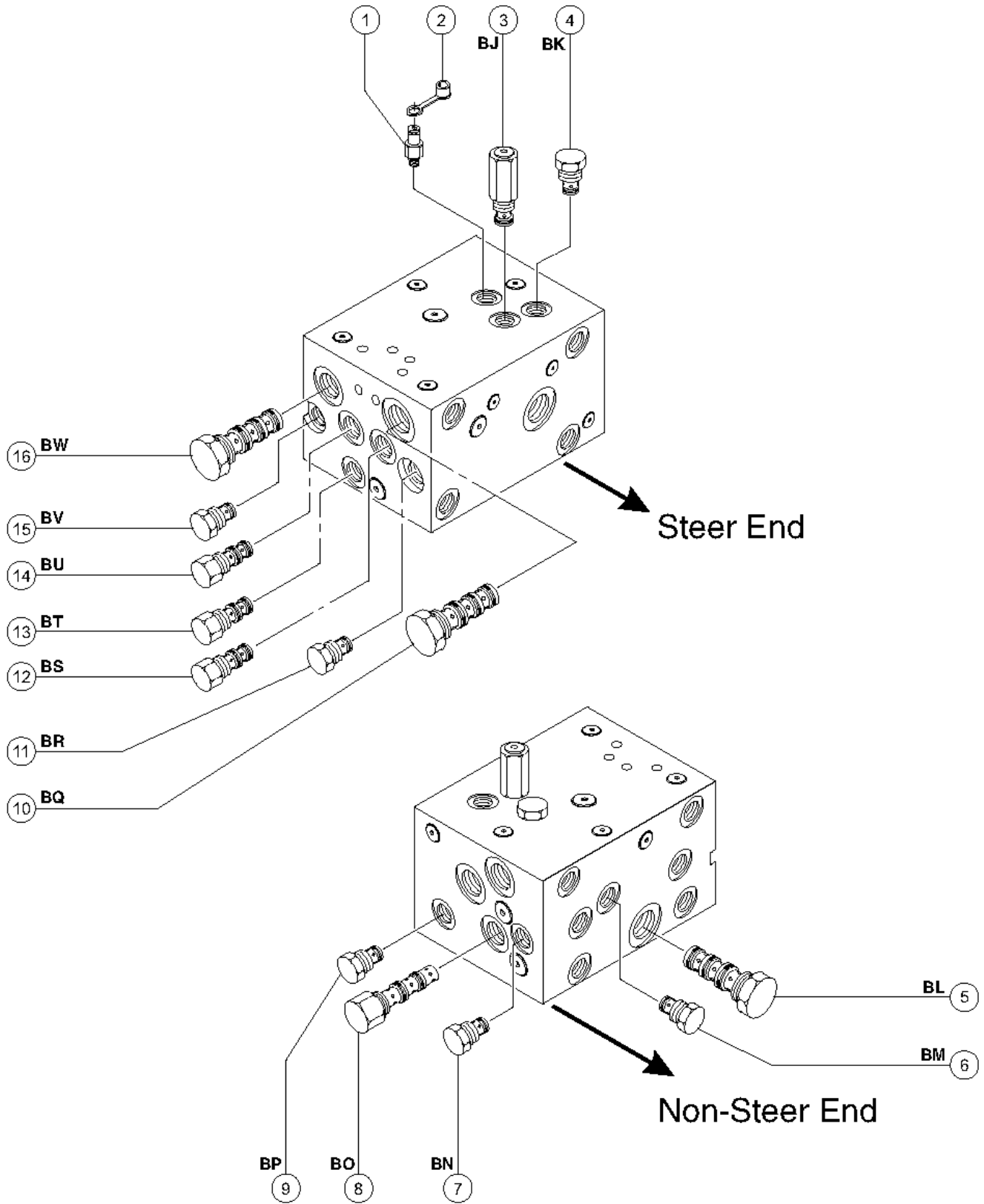
701.2 2Wd Traction Manifold (from SN 3835)



## 701.2 2Wd Traction Manifold (from SN 3835)

Item	Part No.	Description	Qty.
--	28750	O-RING KIT,FIELD SVC,ALL PROD*	
--	33994	PLUG AND CAP KIT-SERVICE,37ø**	
--	49612	O-RING KIT (ORFS FITTINGS)	
--	49613	PLUG AND CAP KIT-SERVICE,ORFS*	
--	88783	MANIFOLD,TRACTION,2WD <i>(complete)</i>	
1	94758	VALVE,RELIEF,280PSI <i>BX, Charge pressure circuit</i>	
--	110194	SEAL KIT, VALVE, #10	
2	52726	VALVE,FLOW DIVIDER/COMBINER <i>BY, Controls flow to drive motors in forward and reverse</i>	
--	110194	SEAL KIT, VALVE, #10	
3	27836	VALVE,CHECK,5 PSI <i>BZ, Drive circuit</i>	
--	110194	SEAL KIT, VALVE, #10	
4	27836	VALVE,CHECK,5 PSI <i>CA, Drive circuit</i>	
--	110194	SEAL KIT, VALVE, #10	
5	27761	VALVE,SHUTTLE <i>CB, Controls flow to drive motors in forward and reverse</i>	
--	110194	SEAL KIT, VALVE, #10	
6	101440	ORIFICE PLUG, 0.070" <i>CC, Equalizes flow across flow divider/ combiner valve BY</i>	

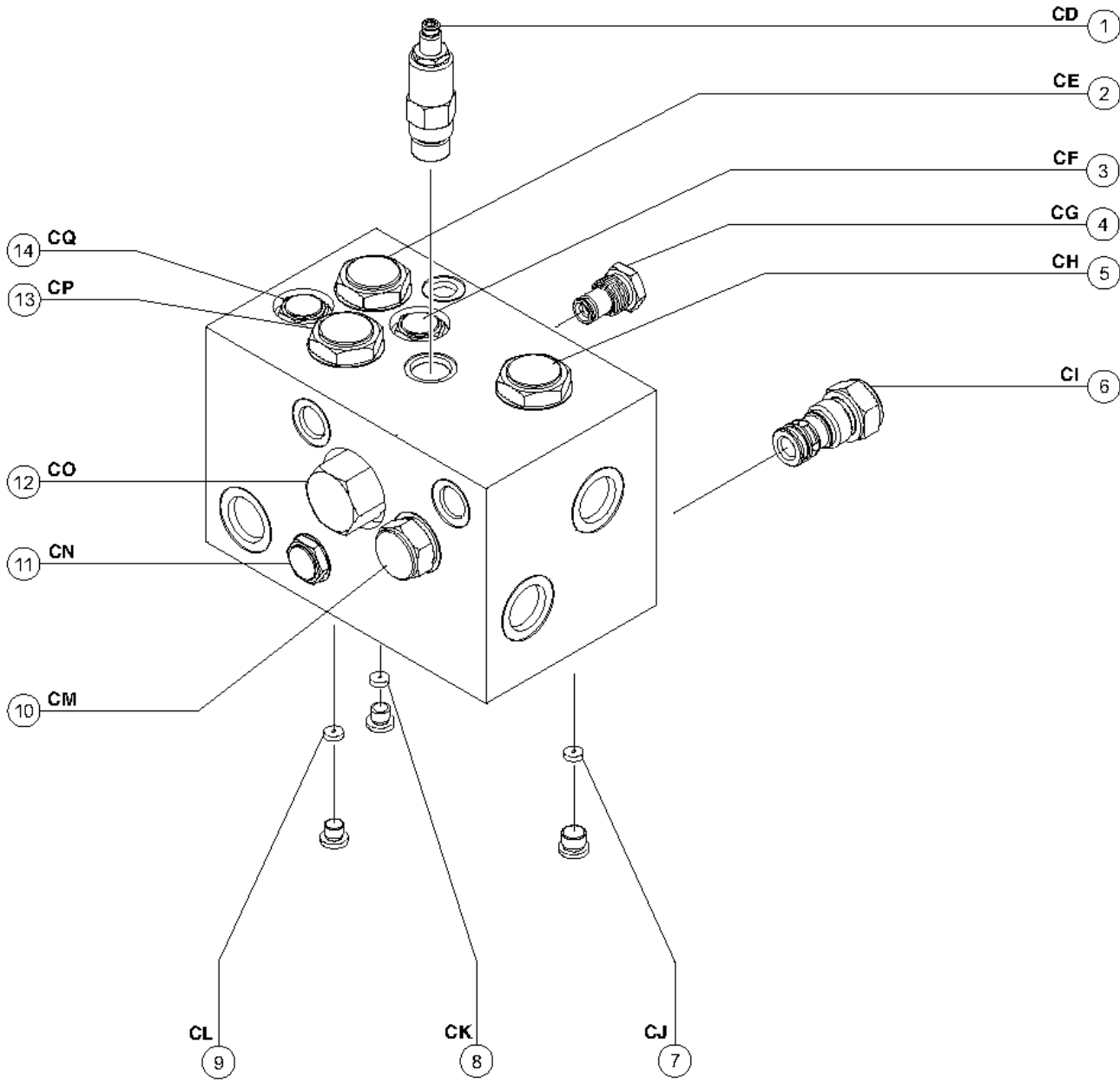
702.1 4WD Traction Manifold (to SN 3834)



## 702.1 4WD Traction Manifold (to SN 3834)

Item	Part No.	Description	Qty.	Item	Part No.	Description	Qty.
--	28750	O-RING KIT,FIELD SVC,ALL PROD*		12	52723	VALVE-FLOW REGULATOR 2 GPM BS, Equalizes pressure on both sides of flow divider/combiner valve BQ	
--	33994	PLUG AND CAP KIT-SERVICE,37ø**		--	89310	SEAL KIT, SOLENOID VALVE	
--	49612	O-RING KIT (ORFS FITTINGS)		13	52723	VALVE-FLOW REGULATOR 2 GPM BT, Equalizes pressure on both sides of flow divider/combiner valve BL	
--	49613	PLUG AND CAP KIT-SERVICE,ORFS*		--	89310	SEAL KIT, SOLENOID VALVE	
--	Ref.	4WD traction manifold part 81055 is no longer available; for its complete replacement customer must order part 139712 (refer to 702.3)		14	52723	VALVE-FLOW REGULATOR 2 GPM BU, Equalizes pressure on both sides of flow divider/combiner valve BW	
1	48997	NIPPLE,DIAGNOSTIC,#4 PORT*** Testing		--	89310	SEAL KIT, SOLENOID VALVE	
--	20224	DIAGNOSTIC FEMALE Q-DSCNT		15	69873	VALVE, CHECK BV, Drive motor anti-cavitation	
2	48880	CAP,DIAGNOSTIC NIPPLE		--	74902	SEAL KIT, VALVE	
3	62253	VALVE,RELIEF,250 PSI BJ, Charge pressure circuit		16	62252	VALVE, FLOW DIVIDER COMBINER BW, Controls flow to non-steer end drive motors in forward and reverse	
--	74902	SEAL KIT, VALVE		--	84135	SEAL KIT, VALVE	
4	69873	VALVE, CHECK BK, Drive motor anti-cavitation					
--	74902	SEAL KIT, VALVE					
5	52726	VALVE,FLOW DIVIDER/COMBINER BL, Controls flow to flow divider/combiner valves BQ and BW					
--	84135	SEAL KIT, VALVE					
6	69873	VALVE, CHECK BM, Drive motor anti-cavitation					
--	74902	SEAL KIT, VALVE					
7	27836	VALVE,CHECK,5 PSI BN, Drive motor anti-cavitation					
--	110194	SEAL KIT, VALVE, #10					
8	27761	VALVE,SHUTTLE BO, Charge pressure circuit that gets hot oil out of low pressure side of drive pump					
--	84134	SEAL KIT, VALVE					
9	27836	VALVE,CHECK,5 PSI BP, Drive motor anti-cavitation					
--	110194	SEAL KIT, VALVE, #10					
10	62252	VALVE, FLOW DIVIDER COMBINER BQ, Controls flow to steer end drive motors in forward and reverse					
--	62252	VALVE, FLOW DIVIDER COMBINER					
11	69873	VALVE, CHECK BR, Drive motor anti-cavitation					
--	74902	SEAL KIT, VALVE					

702.2 4WD Traction Manifold (from SN 3835)

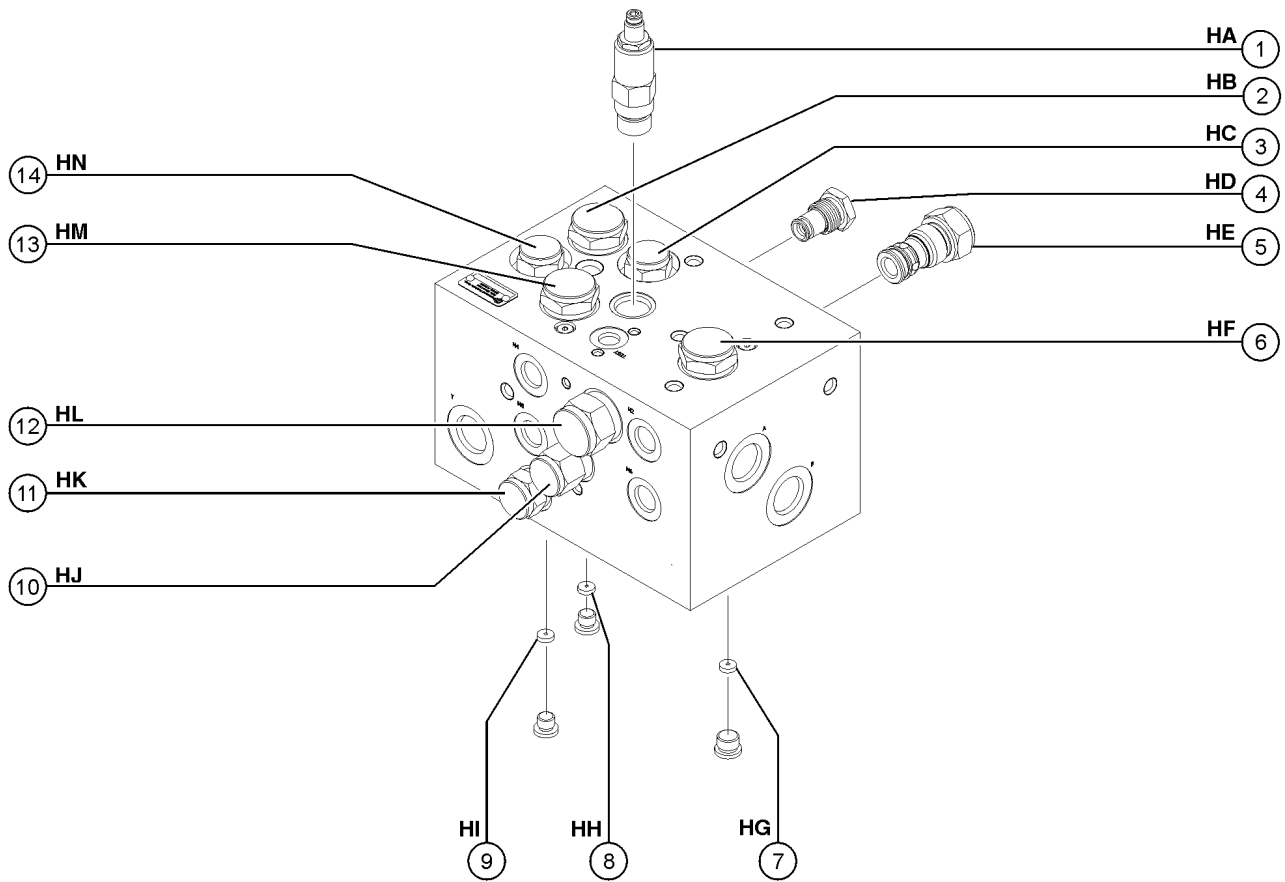




## 702.2 4WD Traction Manifold (from SN 3835)

Item	Part No.	Description	Qty.	Item	Part No.	Description	Qty.
--	28750	O-RING KIT,FIELD SVC,ALL PROD*		13	94752	VALVE FLOW DIVIDER/COMBINER <i>CP, Flow divider/combiner</i>	
--	33994	PLUG AND CAP KIT-SERVICE,37ø**		--	128417	SEAL KIT	
--	49612	O-RING KIT (ORFS FITTINGS)		14	94757	VALVE,CHECK,3 PSI*** <i>CQ, Drive motor anti-cavitation</i>	
--	49613	PLUG AND CAP KIT-SERVICE,ORFS*		--	128416	SEAL KIT	
--	Ref.	4WD traction manifold part 88784 is no longer available; for its complete replacement customer must order part 139712 <i>(refer to 702.3)</i>					
1	101446	VALVE,RELIEF 280 PSI <i>CD, Charge pressure circuit</i>					
--	128416	SEAL KIT					
2	94752	VALVE FLOW DIVIDER/COMBINER <i>CE, Controls flow to steer end drive motors in forward and reverse</i>					
--	128417	SEAL KIT					
3	94757	VALVE,CHECK,3 PSI*** <i>CF, Drive motor anti-cavitation</i>					
--	128416	SEAL KIT					
4	94757	VALVE,CHECK,3 PSI*** <i>CG, Drive motor anti-cavitation</i>					
--	128416	SEAL KIT					
5	94754	VALVE,FLOW DIVIDER/COMBINER <i>CH, Controls flow to non-steer end drive motors in forward and reverse</i>					
--	128417	SEAL KIT					
6	94756	VALVE,CHECK, 2.5 PSI <i>CI, Drive motor anti-cavitation</i>					
--	128418	SEAL KIT					
7	94751	ORIFICE,0.040" <i>CJ, Equalizes flow</i>					
8	94751	ORIFICE,0.040" <i>CK, Equalizes flow</i>					
9	94751	ORIFICE,0.040" <i>CL, Equalizes flow</i>					
10	94756	VALVE,CHECK, 2.5 PSI <i>CM, Drive motor anti-cavitation</i>					
--	128418	SEAL KIT					
11	94757	VALVE,CHECK,3 PSI*** <i>CN, Drive motor anti-cavitation</i>					
--	128416	SEAL KIT					
12	94753	VALVE,SHUTTLE,40 PSI <i>CO, Hot oil shuttle</i>					
--	128417	SEAL KIT					

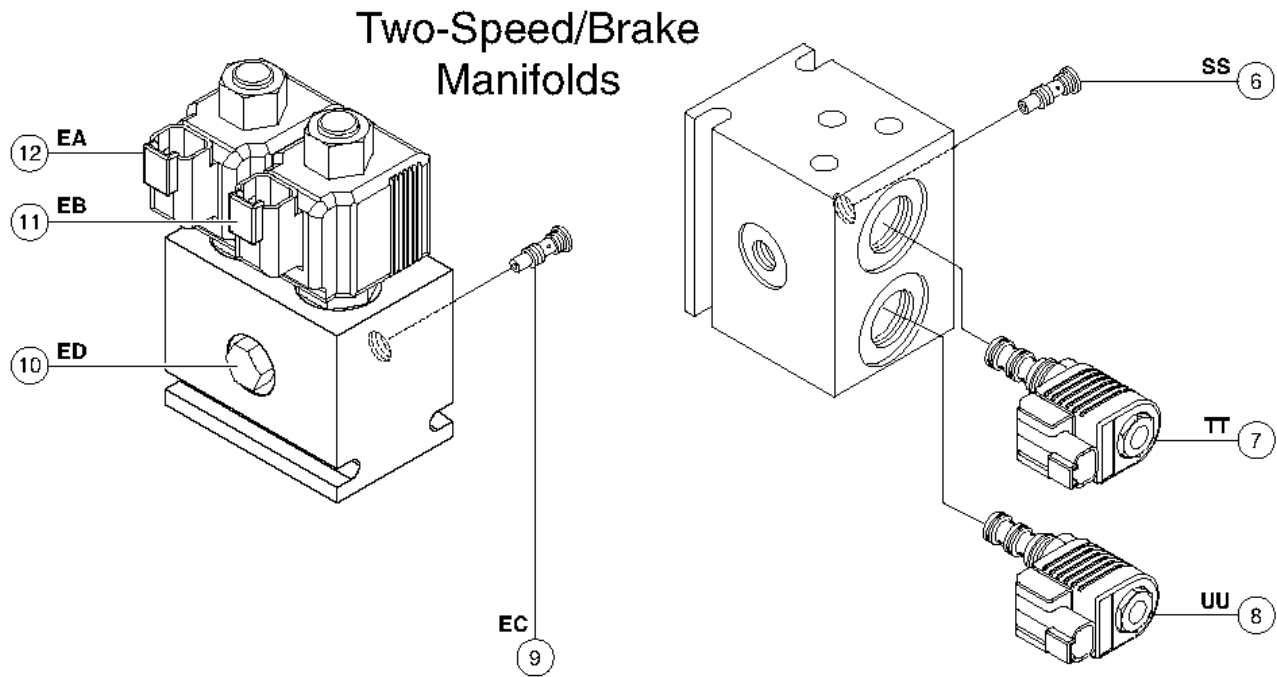
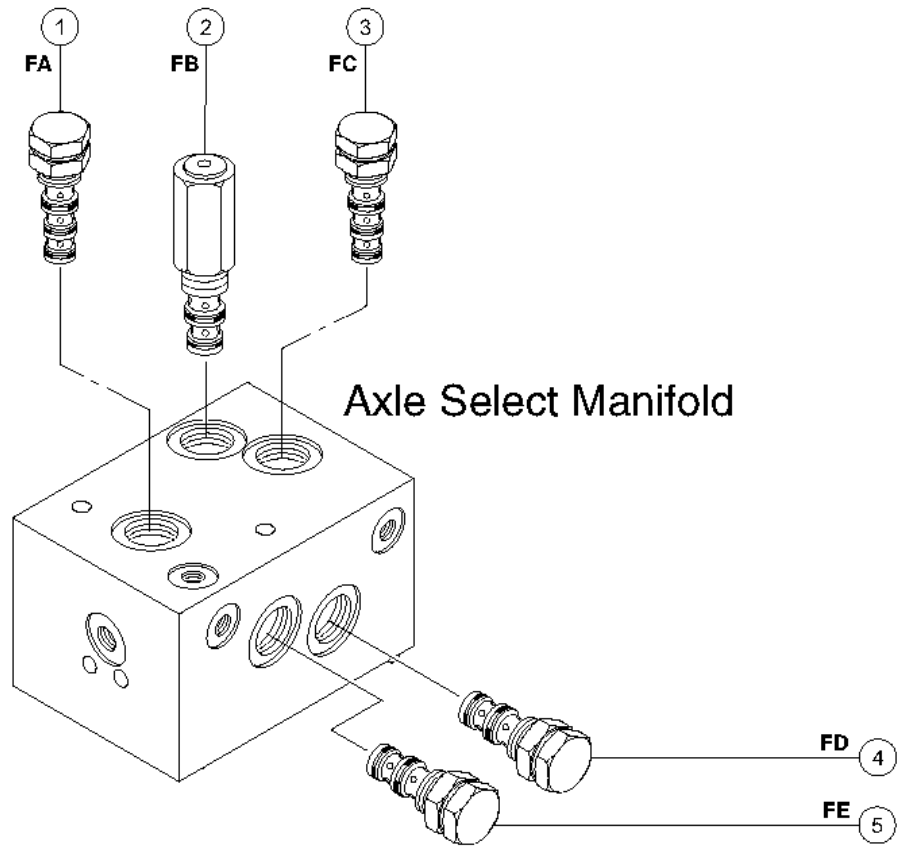
702.3 4WD Traction Manifold



## 702.3 4WD Traction Manifold

Item	Part No.	Description	Qty.	Item	Part No.	Description	Qty.
--	139712	MANIFOLD,TRACTION,4WD*** <i>(complete) customers can order this manifold to replace previous manifold part 81055 or 88784</i>		12	139716	VALVE, CHECK <i>HL, Charge pressure circuit that directs hot oil out of low pressure side of drive pump</i>	
--	28750	O-RING KIT,FIELD SVC,ALL PROD*		--	139727	SEAL KIT, VALVE	
--	49612	O-RING KIT (ORFS FITTINGS)		13	139717	VALVE, FLOW DIVIDE/COMB,24GPM <i>HM, Controls flow to steer end drive motors in forward and reverse</i>	
--	33994	PLUG AND CAP KIT-SERVICE,37ø**		--	139512	SEAL KIT, VALVE	
--	49613	PLUG AND CAP KIT-SERVICE,ORFS*		14	139527	VALVE, CHECK, 5PSI <i>HN, Non-steer end drive motor circuit</i>	
1	139718	VALVE, RELIEF, 280PSI <i>HA, Charge pressure circuit</i>		--	139528	SEAL KIT, VALVE	
--	139512	SEAL KIT, VALVE					
2	139717	VALVE, FLOW DIVIDE/COMB,24GPM <i>HB, Controls flow to non-steer end drive motors in forward and reverse</i>					
--	139512	SEAL KIT, VALVE					
3	139527	VALVE, CHECK, 5PSI <i>HC, Steer end drive motor circuit</i>					
--	139528	SEAL KIT, VALVE					
4	139527	VALVE, CHECK, 5PSI <i>HD, Non-steer end drive motor circuit</i>					
--	139528	SEAL KIT, VALVE					
5	139716	VALVE, CHECK <i>HE, Controls flow to flow divider/combiner valves 2 and 3</i>					
--	139727	SEAL KIT, VALVE					
6	139508	VALVE, FLOW DIVIDE/COMBINE 1:1 <i>HF, Non-steer end drive motor circuit</i>					
--	139512	SEAL KIT, VALVE					
7	139719	ORFICE, 0.040" <i>HG, Equalizes pressure on both sides of flow divider/combiner valve 6</i>					
8	139719	ORFICE, 0.040" <i>HH, Equalizes pressure on both sides of flow divider/combiner valve 2</i>					
9	139719	ORFICE, 0.040" <i>HI, Equalizes pressure on both sides of flow divider/combiner valve 13</i>					
10	139715	VALVE, SHUTTLE, FIXED <i>HJ, Steer end drive motor circuit</i>					
--	139726	SEAL KIT, VALVE					
11	139527	VALVE, CHECK, 5PSI <i>HK, Steer end drive motor circuit</i>					
--	139528	SEAL KIT, VALVE					

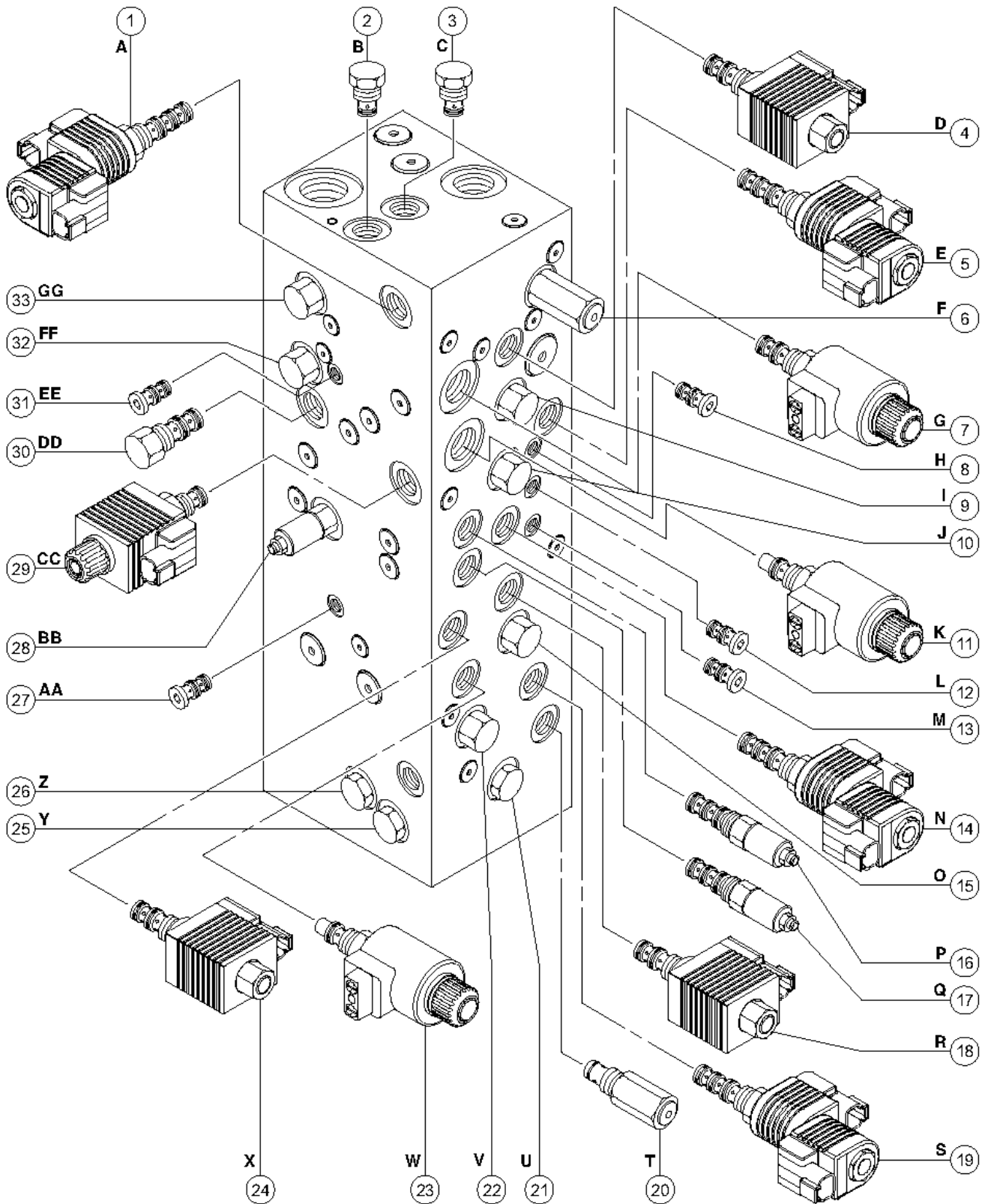
703.1 Axle Select Manifold and Two-Speed/Brake Manifold



## 703.1 Axle Select Manifold and Two-Speed/Brake Manifold

Item	Part No.	Description	Qty.	Item	Part No.	Description	Qty.
--	81820	MANIFOLD,BRAKE/2 SPD W/QD PLUG <i>includes items 6-8; to SN 4211</i>		--	62273	COIL, GREEN W/ 2 PIN CONNECTOR*	
--	102030	MANIFOLD,BRAKE/MOTOR SHIFT*** <i>includes items 9-12; from SN 4212 to SN 4435</i>		--	72043	SEAL KIT, SOLENOID VALVE	
--	81820	MANIFOLD,BRAKE/2 SPD W/QD PLUG <i>includes items 6-8; from SN 4436 to SN 4617</i>		9	27807	VALVE,CHECK*** <i>EC, One way flow</i>	
--	102030	MANIFOLD,BRAKE/MOTOR SHIFT*** <i>includes items 9-12; from SN 4618</i>		10	89300	PLUG ORIFICE, .042 <i>ED, Controls flow to tank</i>	
--	81326	MANIFOLD, AXLE SELECT <i>includes items 1-5</i>		11	89769	VALVE - SOLENOID 2 POS 2 WAY <i>EB, Two-Speed motor shift</i>	
1	62264	VALVE,DIRECTIONAL CONTROL <i>FA, Directs flow from steer cylinders to axle extend circuit</i>		--	89733	COIL, SOLENOID VALVE***	
--	110196	SEAL KIT, VALVE, #10		--	89735	NUT ASSY (89769)*** <i>includes coil nut</i>	
2	62266	VALVE,PRESS.REDUCING,1000 PSI <i>FB, Limits pressure to tie rod cylinder during axle extension</i>		--	89770	SEAL KIT, SOLENOID VALVE	
--	110203	SEAL KIT, VALVE, #10 <i>for 62266</i>		12	89769	VALVE - SOLENOID 2 POS 2 WAY <i>EA, Brake release</i>	
3	62264	VALVE,DIRECTIONAL CONTROL <i>FC, Directs flow from steer cylinders to axle retract circuit</i>		--	89733	COIL, SOLENOID VALVE***	
--	110196	SEAL KIT, VALVE, #10		--	89735	NUT ASSY (89769)*** <i>includes coil nut</i>	
4	62265	VALVE,DIRECTIONAL 2 POS 2 WAY <i>FD, Locks out steer cylinders during axle extend/retract</i>		--	89770	SEAL KIT, SOLENOID VALVE	
--	89310	SEAL KIT, SOLENOID VALVE					
5	62265	VALVE,DIRECTIONAL 2 POS 2 WAY <i>FE, Locks out steer cylinders during axle extend/retract</i>					
--	89310	SEAL KIT, SOLENOID VALVE					
6	27807	VALVE,CHECK*** <i>SS, Brake circuit</i>					
7	62263	VALVE, SOLENOID, 2 POS, 3 WAY <i>TT, Brake release</i>					
--	52943	NUT, SOLENOID VALVE					
--	62273	COIL, GREEN W/ 2 PIN CONNECTOR*					
--	72043	SEAL KIT, SOLENOID VALVE					
8	62263	VALVE, SOLENOID, 2 POS, 3 WAY <i>UU, Two-Speed motor shift</i>					
--	52943	NUT, SOLENOID VALVE					

704.1 Function Manifold - View 1



## 704.1 Function Manifold - View 1

Item	Part No.	Description	Qty.	Item	Part No.	Description	Qty.
--	111990	MANIFOLD,FUNCTION AND DUMP <i>(complete) contains function and dump manifolds</i>		--	21935	COIL, 12V, 19972/21623/29069	
--	28750	O-RING KIT,FIELD SVC,ALL PROD*		--	45914	O-RING, DO1 VALVE	
--	33994	PLUG AND CAP KIT-SERVICE,37ø**		--	45921	RETAINER-N.C.PROPOR.SOLENOID	
--	49612	O-RING KIT (ORFS FITTINGS)		8	27807	VALVE,CHECK*** <i>H, Differential sensing circuit, turntable rotate left/right</i>	
--	49613	PLUG AND CAP KIT-SERVICE,ORFS*		9	27802	VALVE,DIFFERENTIAL SENSING*** <i>I, Boom extend/retract circuit prevents overflowing the proportional valve</i>	
--	70246	ACCUMULATOR,10CC,450PSI,#6SAE		--	110197	SEAL KIT, VALVE, #10	
1	89307	VALVE,SOLENOID 3POS 4WAY* <i>A, Platform rotate left/right</i>		10	27802	VALVE,DIFFERENTIAL SENSING*** <i>J, Turntable rotate left/right circuit prevents overflowing the proportional valve</i>	
--	52943	NUT,SOLENOID VALVE		--	110197	SEAL KIT, VALVE, #10	
--	62273	COIL,GREEN W/ 2 PIN CONNECTOR*		11	48641	VALVE,PROPORTIONAL, 12V ** <i>K, Boom extend/retract circuit</i>	
--	72047	SEAL KIT, SOLENOID VALVE		--	122004	VALVE,PROPORTIONAL SOLENOID <i>K, Boom extend/retract circuit, use in place of 48641 on units with SN 7210, 7216, 7217, 7219, 7220, 7224 - 7232, 7234, 7236 - 7239 and 7241.</i>	
--	89311	SPACER, DUAL COIL		--	21935	COIL, 12V, 19972/21623/29069	
2	62257	VALVE,CHECK, 30 PSI <i>B, Platform rotate circuit prevents hydraulic fluid from draining back to tank</i>		--	45914	O-RING, DO1 VALVE	
--	74902	SEAL KIT, VALVE		--	45921	RETAINER-N.C.PROPOR.SOLENOID	
3	62257	VALVE,CHECK, 30 PSI <i>C, Platform rotate circuit prevents hydraulic fluid from draining back to tank</i>		12	27807	VALVE,CHECK*** <i>L, Differential sensing circuit, platform level down</i>	
--	74902	SEAL KIT, VALVE		13	27807	VALVE,CHECK*** <i>M, Differential sensing circuit, platform level up</i>	
4	62254	VALVE,SOLENOID, 2 POS, 3 WAY <i>D, Boom retract</i>		14	89307	VALVE,SOLENOID 3POS 4WAY* <i>N, Platform level up/down</i>	
--	45912	NUT,SOLENOID,2POS 3WAY		--	52943	NUT,SOLENOID VALVE	
--	62275	COIL,10V		--	62273	COIL,GREEN W/ 2 PIN CONNECTOR*	
--	89310	SEAL KIT, SOLENOID VALVE		--	72047	SEAL KIT, SOLENOID VALVE	
5	89307	VALVE,SOLENOID 3POS 4WAY* <i>E, Turntable rotate left/right</i>		--	89311	SPACER, DUAL COIL	
--	52943	NUT,SOLENOID VALVE		15	27802	VALVE,DIFFERENTIAL SENSING*** <i>O, Boom up/down circuit prevents overflowing the proportional valve</i>	
--	62273	COIL,GREEN W/ 2 PIN CONNECTOR*		--	110197	SEAL KIT, VALVE, #10	
--	72047	SEAL KIT, SOLENOID VALVE		16	62256	VALVE,CB 3:1 3500 PSI <i>P, Platform level down circuit</i>	
--	89311	SPACER, DUAL COIL		--	110202	SEAL KIT, VALVE, #10	
6	48640	VALVE,RELIEF,2500 PSI <i>F, Boom extend/retract circuit</i>					
--	74902	SEAL KIT, VALVE					
7	77500	VALVE,SOLENOID 2 POS 3 WAY <i>G, Boom extend</i>					
--	110198	SEAL KIT, VALVE, #12					

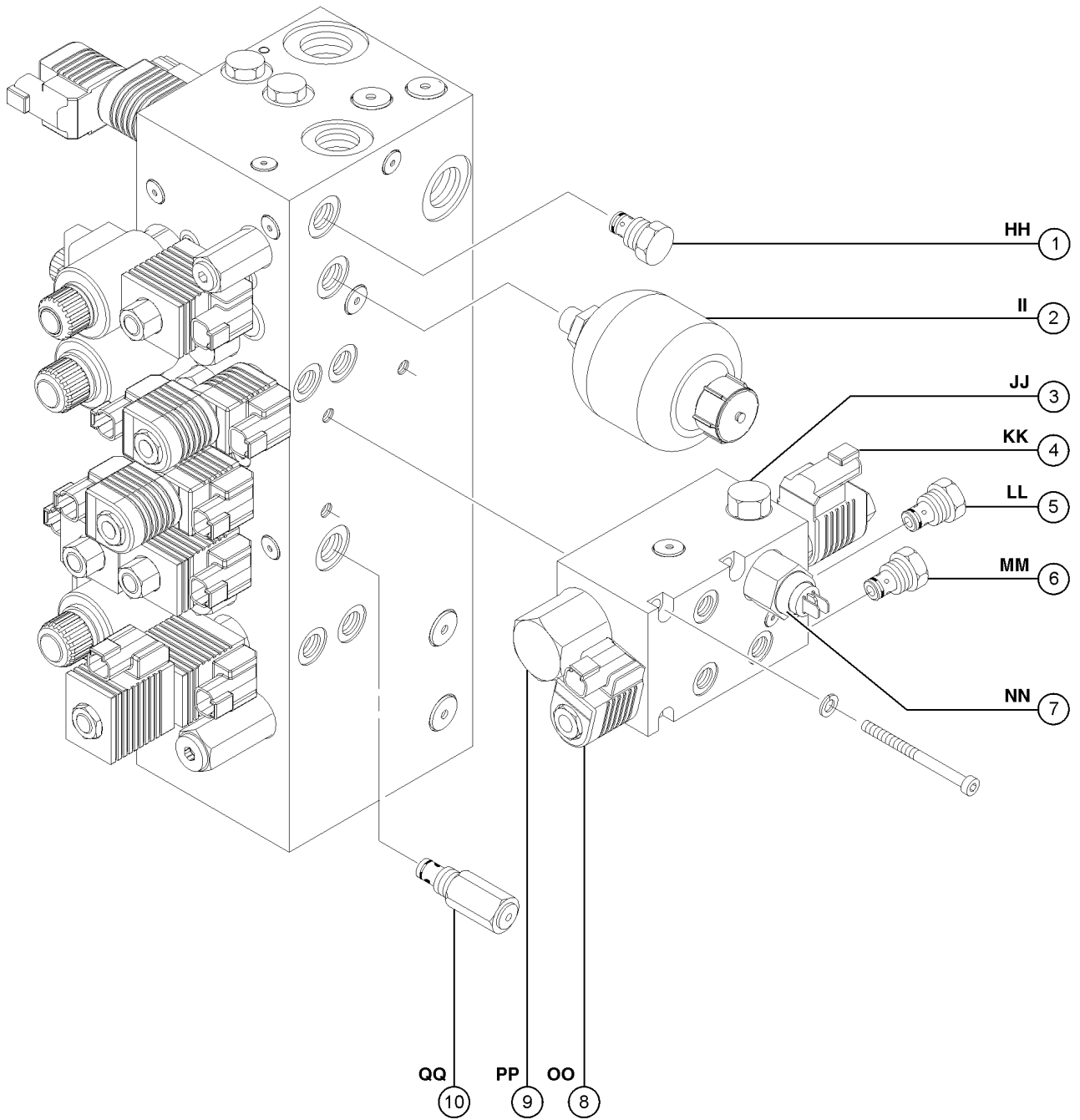
704.1 Function Manifold - View 1  
(continued)

Item	Part No.	Description	Qty.	Item	Part No.	Description	Qty.
17	62256	VALVE,CB 3:1 3500 PSI <i>Q, Platform level up circuit</i>		25	111392	VALVE,CHECK,150 PSI <i>Y, Blocks flow from function pump to auxiliary pump</i>	
--	110202	SEAL KIT, VALVE, #10		--	110194	SEAL KIT, VALVE, #10	
18	62254	VALVE,SOLENOID, 2 POS, 3 WAY <i>R, Boom down</i>		26	62259	VALVE,CHECK 30 PSI <i>Z, Hydraulic oil cooler bypass</i>	
--	110196	SEAL KIT, VALVE, #10		--	110194	SEAL KIT, VALVE, #10	
--	45912	NUT,SOLENOID,2POS 3WAY		27	27807	VALVE,CHECK*** <i>AA, Boom up/down circuit</i>	
--	62275	COIL,10V		28	62258	VALVE,NEEDLE*** <i>BB, Platform level circuit</i>	
19	111703	VALVE,SOLENOID 3 POS,4 WAY*** <i>S, Steer left/right and axle extend/retract</i>		--	110194	SEAL KIT, VALVE, #10	
--	111778	COIL,10V DC(D10,26 WATT)		29	62255	VALVE,PROPORTIONAL*** <i>CC, Turntable rotate circuit</i>	
--	111779	SEAL KIT,VALVE,#10		--	62274	COIL,12V	
--	52943	NUT,SOLENOID VALVE		--	89312	SEAL KIT, SOLENOID VALVE	
--	62277	COIL,10V		30	27804	VALVE,DIFFERENTIAL SENSING*** <i>DD, Meters flow to functions</i>	
--	89722	SEAL KIT, SOLENOID VALVE		31	27807	VALVE,CHECK*** <i>EE, Differential sensing circuit, boom extend/retract</i>	
20	35000	VALVE,RELIEF 2900 PSI*** <i>T, System relief</i>		32	32975	VALVE,FLOW REGULATOR,.1 GPM <i>FF, Bleeds off differential sensing valves to tank</i>	
--	110194	SEAL KIT, VALVE, #10		--	74902	SEAL KIT, VALVE	
21	27836	VALVE,CHECK,5 PSI <i>U, Blocks flow from auxiliary pump to function pump</i>		33	31100	VALVE,FLOW REGULATOR 0.6GPM <i>GG, Platform rotate circuit</i>	
--	110194	SEAL KIT, VALVE, #10		--	74902	SEAL KIT, VALVE	
22	111705	VALVE,FLOW REGULATOR 3.5 GPM** <i>V, Steer circuit</i>					
--	110202	SEAL KIT, VALVE, #10					
23	27801	VALVE,PROPORTIONAL SOLENOID*** <i>W, Boom up/down circuit</i>					
--	122003	VALVE,PROPORTIONAL,SOLENOID <i>W, Boom up/down circuit, use in place of 27801 on units with SN 7210, 7216, 7217, 7219, 7220, 7224 - 7232, 7234, 7236 - 7239 and 7241</i>					
--	21935	COIL, 12V, 19972/21623/29069					
--	45921	RETAINER-N.C.PROPOR.SOLENOID					
--	58302	O-RING, D01 VALVE					
--	89310	SEAL KIT, SOLENOID VALVE					
24	62254	VALVE,SOLENOID, 2 POS, 3 WAY <i>X, Boom up</i>					
--	45912	NUT,SOLENOID,2POS 3WAY					
--	62275	COIL,10V					
--	89310	SEAL KIT, SOLENOID VALVE					



*This Page Intentionally Left Blank*

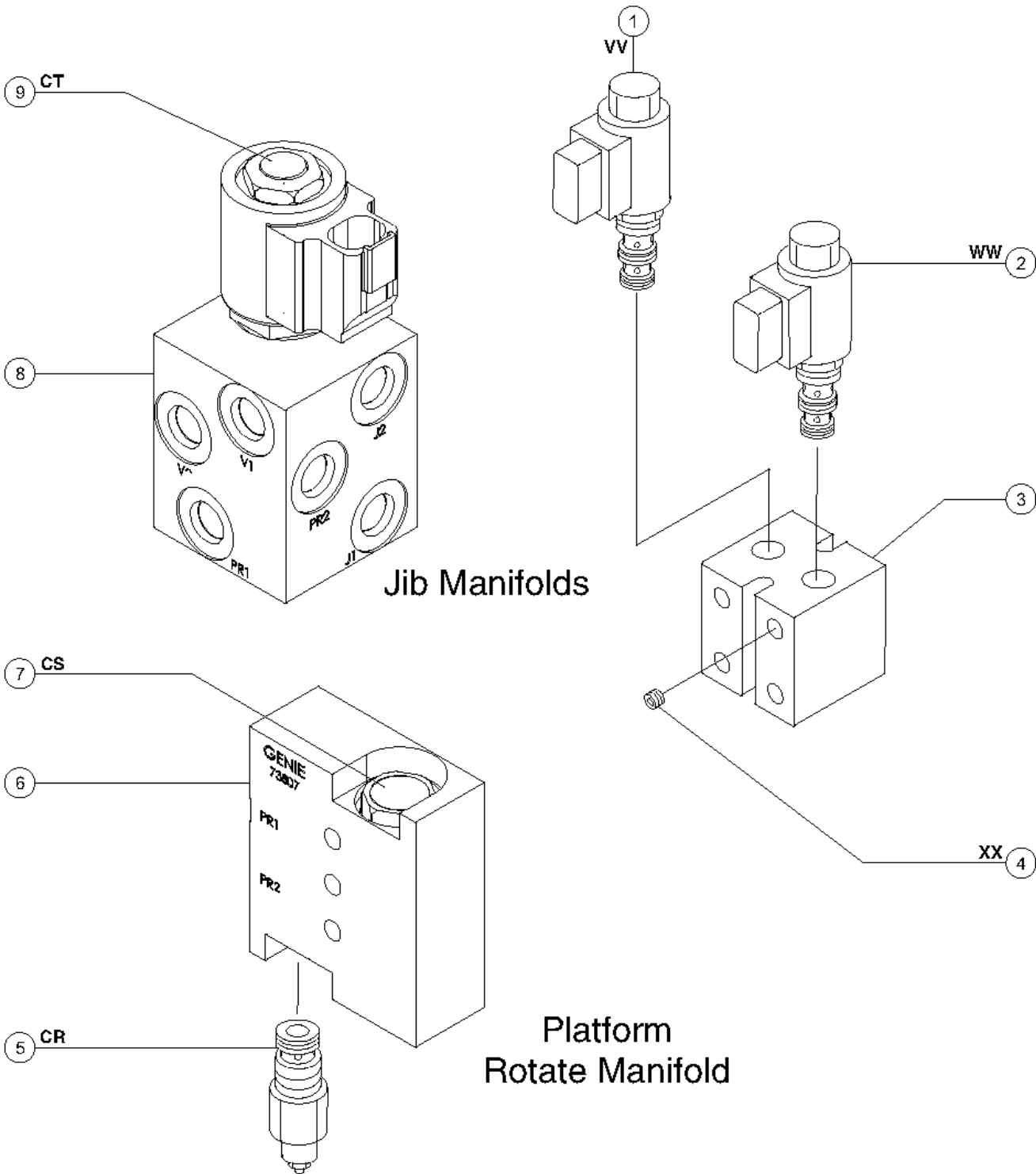
705.1 Function Manifold - View 2



## 705.1 Function Manifold - View 2

Item	Part No.	Description	Qty.	Item	Part No.	Description	Qty.
--	111990	MANIFOLD,FUNCTION AND DUMP <i>(complete) contains function and dump manifolds</i>		--	43018	SEAL KIT (39345)	
--	70246	ACCUMULATOR,10CC,450PSI,#6SAE		10	48415	VALVE,RELIEF QQ, Boom down	
--	81101	MANIFOLD,FUNCTION S80/85 <i>(complete)</i>					
--	81521	MANIFOLD,AXLE DUMP <i>(complete)</i>					
1	62257	VALVE,CHECK, 30 PSI HH, Platform rotate circuit prevents hydraulic fluid from draining back to tank					
--	74902	SEAL KIT, VALVE II, Hydraulic dampenin					
2	70246	ACCUMULATOR,10CC,450PSI,#6SAE					
3	31099	VALVE,FLOW REGULATOR JJ, Dump circuit source from charge pump					
--	74902	SEAL KIT, VALVE					
4	62262	VALVE,SOLENOID N/O (LONG)*** KK, Allows boom functions to operate with the boom in the stowed position					
--	45912	NUT,SOLENOID,2POS 3WAY					
--	62273	COIL,GREEN W/ 2 PIN CONNECTOR*					
--	89297	SEAL KIT, SOLENOID VALVE					
5	69873	VALVE, CHECK LL, Blocks flow from charge pump to auxiliary pump					
--	74902	SEAL KIT, VALVE					
6	69873	VALVE, CHECK MM, Blocks flow from auxiliary pump to charge pump					
--	74902	SEAL KIT, VALVE					
7	81482	SWITCH,PRESS,NC,180 PSI,#4SAE NN, Axle extend pressure switch					
8	62263	VALVE,SOLENOID, 2 POS, 3 WAY OO, Provides pilot signal to redirect steer flow to axle extension system					
--	45912	NUT,SOLENOID,2POS 3WAY					
--	62273	COIL,GREEN W/ 2 PIN CONNECTOR*					
--	72043	SEAL KIT,SOLENOID VALVE					
9	62244	VALVE,DIRECTIONAL,2POS.2WAY PP, Dump valve that allows boom functions to operate when axles are fully extended					

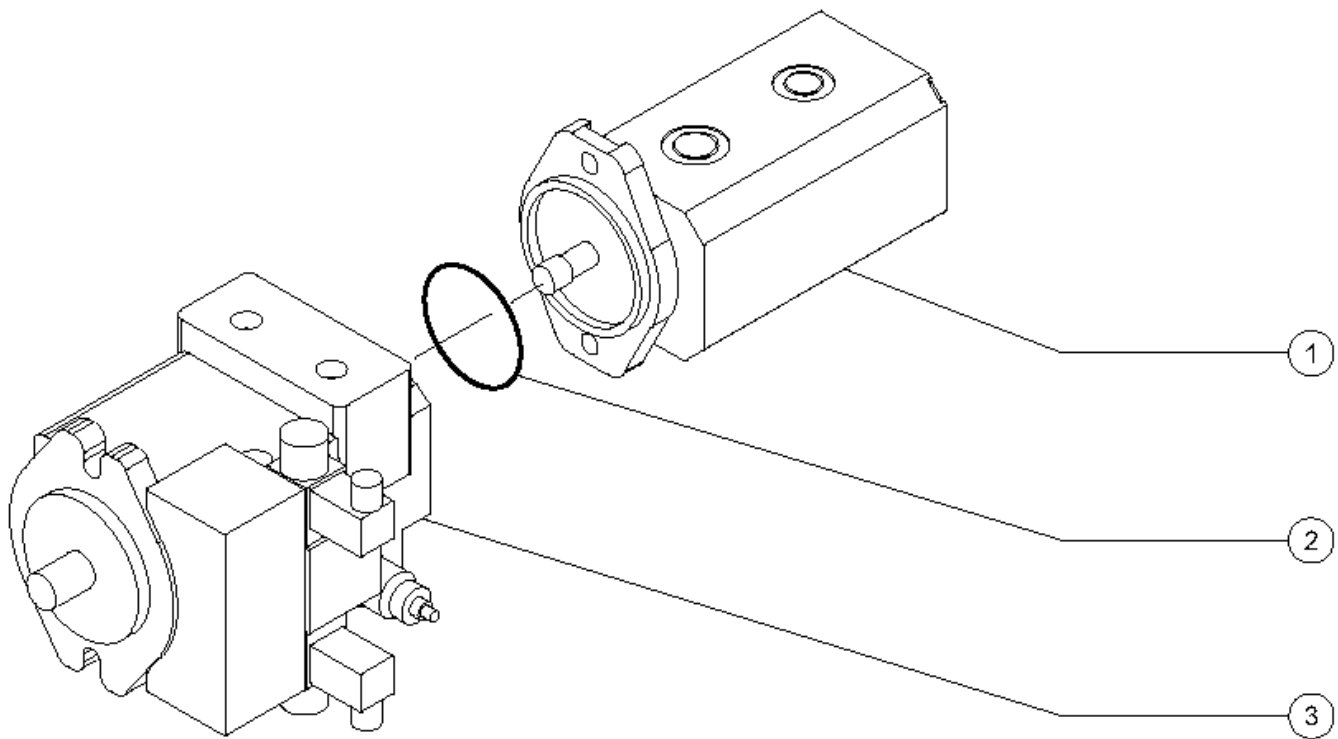
706.1 Jib Boom and Platform Rotator Manifolds



## 706.1 Jib Boom and Platform Rotator Manifolds

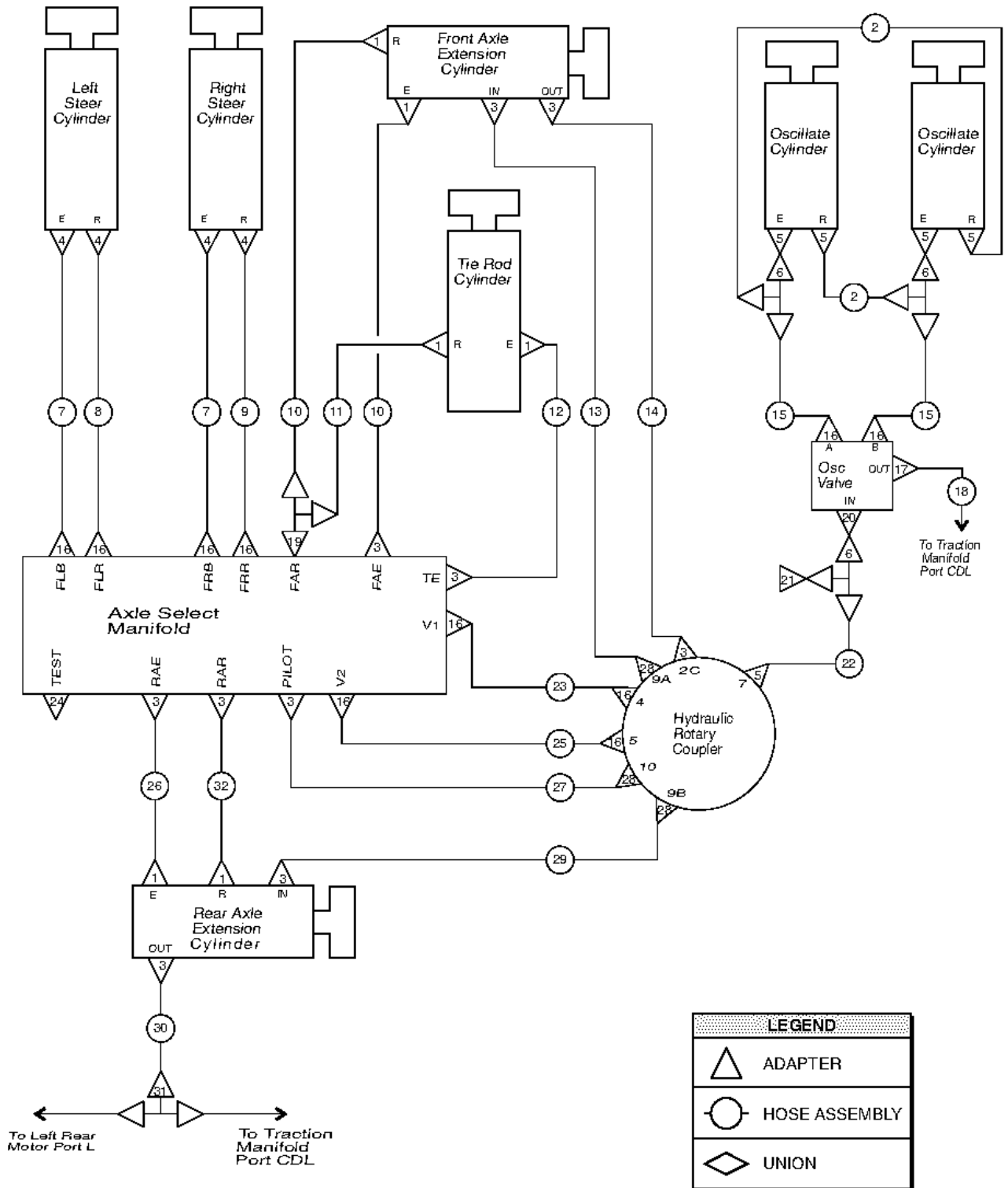
Item	Part No.	Description	Qty.
--	28750	O-RING KIT,FIELD SVC,ALL PROD*	
--	33994	PLUG AND CAP KIT-SERVICE,37ø**	
--	49612	O-RING KIT (ORFS FITTINGS)	
--	49613	PLUG AND CAP KIT-SERVICE,ORFS*	
1	62267	VALVE,SOLENOID N/C (SHORT)*** <i>VV, Platform rotate select; to SN 3834</i>	
--	52943	NUT,SOLENOID VALVE	
--	62273	COIL,GREEN W/ 2 PIN CONNECTOR*	
--	89297	SEAL KIT, SOLENOID VALVE	
2	62262	VALVE,SOLENOID N/O (LONG)*** <i>WW, Jib boom select; to SN 3834</i>	
--	45912	NUT,SOLENOID,2POS 3WAY	
--	62273	COIL,GREEN W/ 2 PIN CONNECTOR*	
--	89297	SEAL KIT, SOLENOID VALVE	
3	81821	MANIFOLD,JIB SELECT W/QD PLUG <i>to SN 3834</i>	
4	84139	PLUG, ORIFICE, 0.035" <i>XX, Jib boom circuit</i>	
5	62506	VALVE - COUNTERBALANCE** <i>CR, Platform rotate right</i>	
--	43018	SEAL KIT (39345)	
6	73807	MANIFOLD,ROTATOR,CB***	
--	43018	SEAL KIT (39345)	
--	62507	O-RING, ROTATOR MANIFOLD	
7	62506	VALVE - COUNTERBALANCE** <i>CS, Platform rotate left</i>	
8	88786	MANIFOLD,JIB SELECT W/QD PLUG* <i>from SN 3835</i>	
9	89862	VALVE-SOLENOID,2POS 3WAY,JIB** <i>CT, Platform rotate or jib boom select; from SN 3835, valve only.</i>	
--	44174	NUT-COIL SHORT	
--	89863	COIL,10V DC,DEUTCH W/DIODE***	
--	89864	SEAL KIT,SOLENOID VALVE, SV07	

707.1 Pumps



Item	Part No.	Description	Qty.
--	81386	PUMP ASSY,DRIVE & FUNCTION	
1	T110129	PUMP,LIFT,2 SECTION** .....1 <i>(replaced 81103)</i>	
--	147549	KIT, SEAL, PUMP, 2 SECTION <i>(for 139882 and 139801)</i>	
--	94918	KIT,SEAL,PUMP 81103	
2	29436	O-RING*** .....1	
3	81647	PUMP M46 VAR.PISTON 2.8 C.I.....1	
--	29739	SEAL KIT,SAUER-DANFOSS M46***	
--	77819	EDC ASSY,SAUER M46	
--	T107233	SHAFT,REPLACEMENT (81647)	

708.1 Hydraulic Hoses and Fittings - Steer and Axle Extension

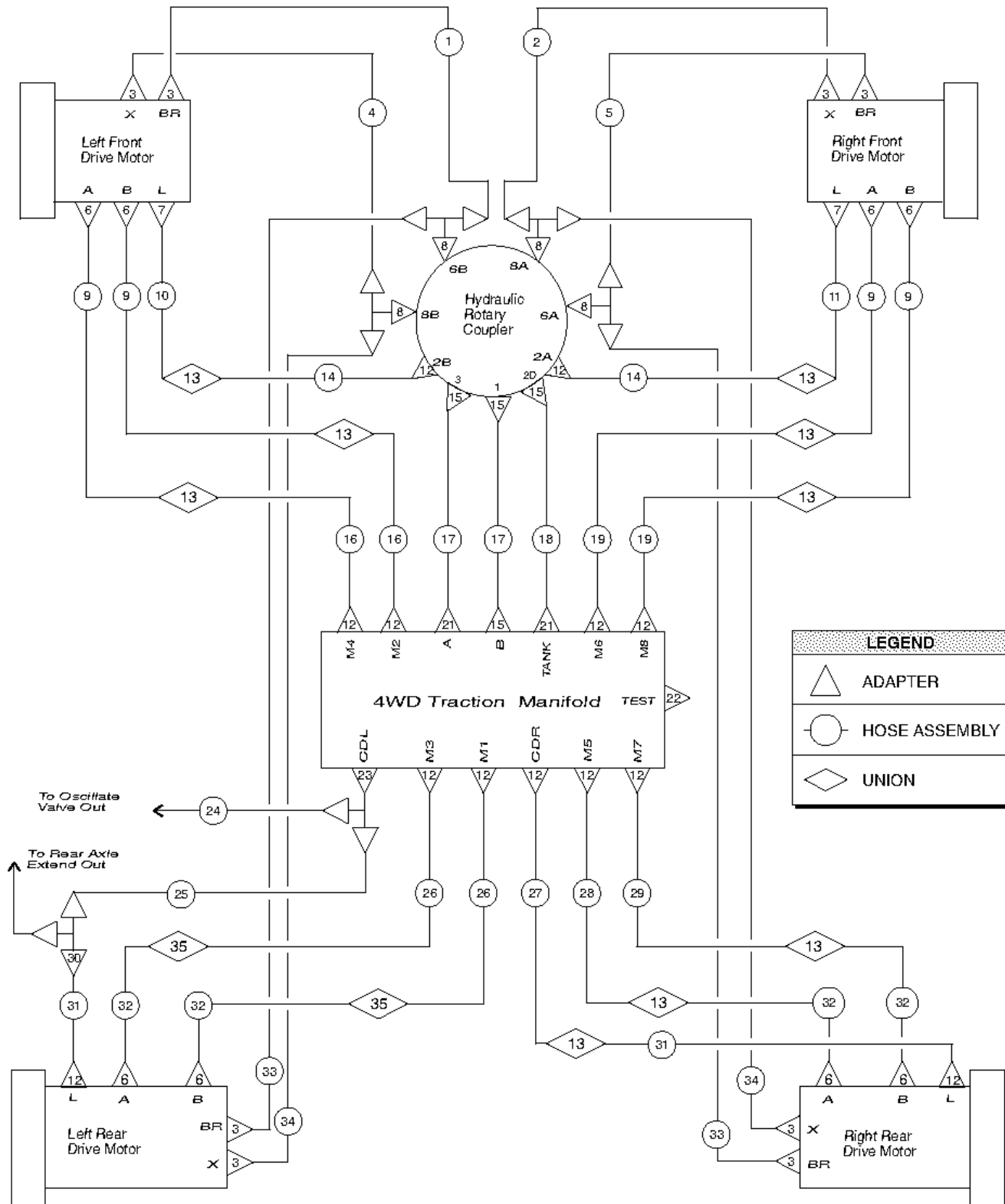




708.1 Hydraulic Hoses and Fittings - Steer and Axle Estension

Item	Part No.	Description	Qty.	Item	Part No.	Description	Qty.
--	49612	O-RING KIT (ORFS FITTINGS)		25	49128-3109	HOSE ASSY,3/8" 90 FEM STR FEM.....	1
--	49613	PLUG AND CAP KIT-SERVICE,ORFS*		26	49119-5178	HOSE ASSY,1/4,STR FEM,STR FEM.....	1
1	48912	CONN,520120-4-6*** .....	6	27	49117-3391	HOSE ASSY,1/4,90 FEM,STR FEM.....	1
2	49104-4309	HOSE ASSEMBLY-3/8" 100R2.....	2	28	48907	ELBOW,45D,520320-4.....	3
3	48905	CONN,520120-4*** .....	10	29	49119-9578	HOSE ASSY,1/4,STR FEM,STR FEM.....	1
4	48915	ELBOW,90D,520220-6.....	4	30	49164-4043	HOSE ASSEMBLY,1/4.....	1
5	48920	ELBOW,45D,520320-6.....	5	31	48940	TEE,BULKHEAD,RUN,520958-8.....	1
6	48875	TEE,RUN,SWIVEL,520432-6.....	3	32	49119-5478	HOSE ASSY,1/4,STR FEM,STR FEM.....	1
7	49105-9382	HOSE ASSY,3/8"100R2,STR F,STRF.....	2				
8	49105-9982	HOSE ASSY,3/8"100R2,STR F,STRF.....	1				
9	49105-10782	HOSE ASSY,3/8"100R2,STR F,STRF.....	1				
10	49119-12278	HOSE ASSY,1/4,STR FEM,STR FEM.....	2				
11	49117-11691	HOSE ASSY,1/4,90 FEM,STR FEMM.....	1				
12	49119-11678	HOSE ASSY,1/4,STR FEM,STR FEM.....	1				
13	49119-9978	HOSE ASSY,1/4,STR FEM,STR FEM.....	1				
14	49119-10478	HOSE ASSY,1/4,STR FEM,STR FEM.....	1				
15	49105-11682	HOSE ASSY,3/8"100R2,STR F,STRF.....	2				
16	48916	FITTING,CONN,520120-6.....	10				
17	48930	FITTING,CONN,520120-6-8*** .....	1				
18	49180-3316	HOSE ASSEMBLY,3/8" .....	1				
19	48906	TEE,RUN,520428-4.....	1				
20	48929	FITTING,ELBOW,90D,520220-6-8**.	1				
21	48867	NIPPLE,DIAGNOSTIC.....	1				
--	20224	DIAGNOSTIC FEMALE Q-DSCNT					
--	48880	CAP,DIAGNOSTIC NIPPLE					
22	49130-5082	HOSE ASSY 3/8, STR FEM,STR FEM.....	1				
23	49128-3509	HOSE ASSY,3/8" 90 FEM STR FEM.....	1				
24	48998	NIPPLE,DIAGNOSTIC,#6 PORT*** .....	1				
--	20224	DIAGNOSTIC FEMALE Q-DSCNT					
--	48880	CAP,DIAGNOSTIC NIPPLE					

709.1 Hydraulic Hoses and Fittings - Drive System (to SN 3834)

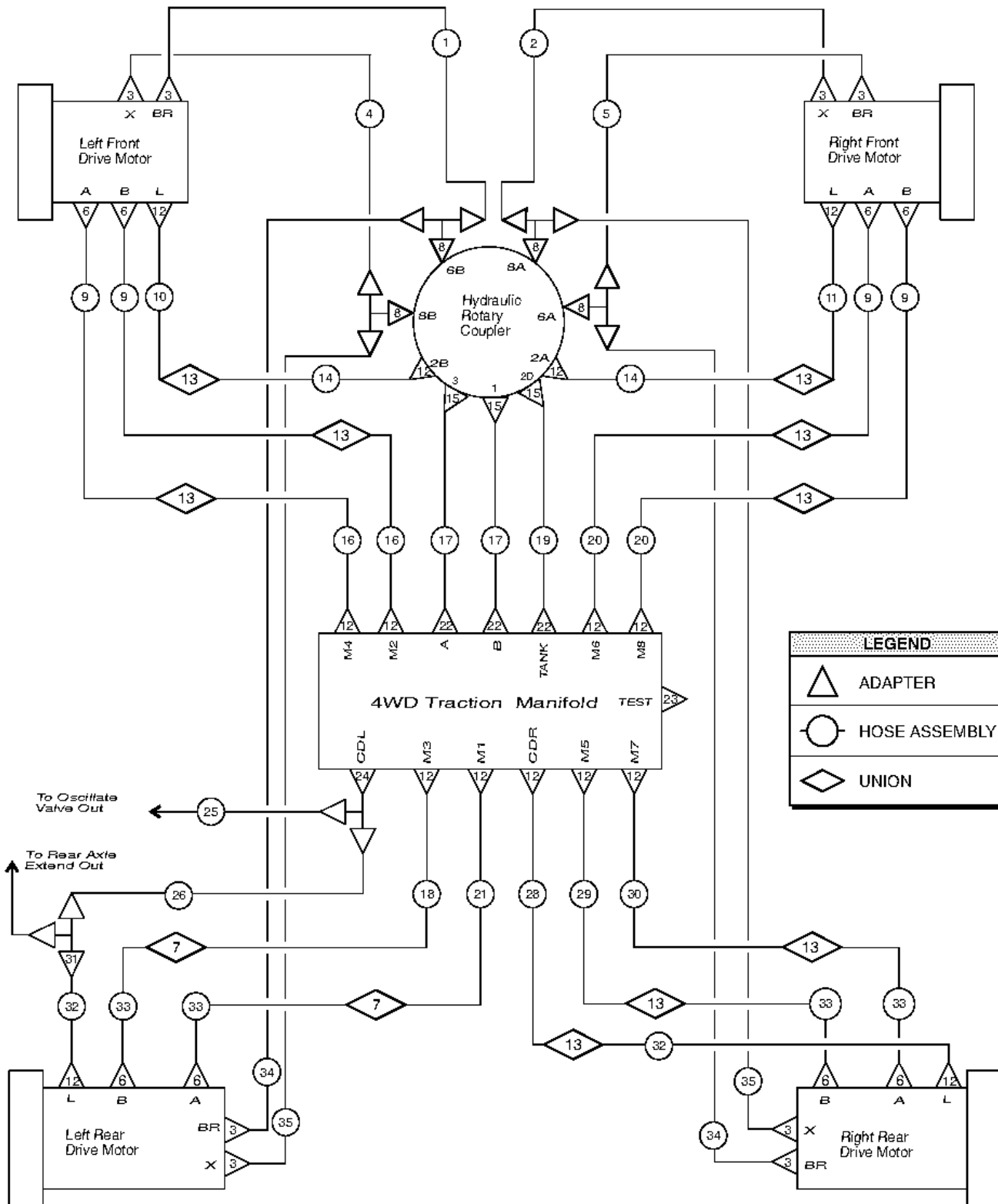


LEGEND	
	ADAPTER
	HOSE ASSEMBLY
	UNION

709.1 Hydraulic Hoses and Fittings - Drive System (to SN 3834)

Item	Part No.	Description	Qty.	Item	Part No.	Description	Qty.
--	49612	O-RING KIT (ORFS FITTINGS)		27	49143-1929	HOSE ASSY,1/2,90 FEM,STR FEM.....	1
--	49613	PLUG AND CAP KIT-SERVICE,ORFS*		28	49109-2429	HOSE ASSY,1/2,90 FEM,STR FEM.....	1
1	49117-13591	HOSE ASSY,1/4,90 FEM,STR FEM.....	1	29	49109-2279	HOSE ASSY,1/2,90 FEM,STR FEM.....	1
2	49117-13291	HOSE ASSY,1/4,90 FEM,STR FEM.....	1	30	48940	TEE,BULKHEAD,RUN,520958-8.....	1
3	48905	CONN,520120-4*** .....	8	31	49143-4629	HOSE ASSY,1/2,90 FEM,STR FEMM.....	2
4	49117-12691	HOSE ASSY,1/4,90 FEM,STR FEM** .....	1	32	49109-4329	HOSE ASSY,1/2,90 FEM,STR FEM.....	4
5	49116-12737	HOSE ASSY,1/4,45 FEM,STR FEM** .....	1	33	49117-10691	HOSE ASSY 1/4,90 FEM STR FEM.....	2
6	48948	CONN,520120-8-12.....	8	34	49119-10678	HOSE ASSY,1/4,STR FEM,STR FEM.....	2
7	48930	FITTING,CONN,520120-6-8*** .....	2	35	61346	CONN,BULKHEAD,520801,-8.....	2
8	48890	FITTING,TEE,BRANCH,520429-4*** .....	4				
9	49110-6192	HOSE ASSEMBLY-1/2" 100R2.....	4				
10	49180-6716	HOSE ASSEMBLY,3/8".....	1				
11	49180-6916	HOSE ASSEMBLY,3/8".....	1				
12	48933	CONN,520120-8*** .....	13				
13	48894	CONN,BULKHEAD,520601-8.....	9				
14	49143-5229	HOSE ASSY,1/2,90 FEM,STR FEM.....	2				
15	48963	FITTING,ELBOW,45D,520320-12*** .....	4				
16	49109-9429	HOSE ASSY,1/2,90 FEM,STR FEM.....	2				
17	94374-2630	HOSE ASSY,3/4,90 FEM,STR FEM** .....	2				
18	49151-2273	HOSE ASSY,3/4,STR FEM,STR FEM.....	1				
19	49109-8029	HOSE ASSY,1/2,90 FEM,STR FEM.....	2				
20	61610	CONN,LONG,520122-12*** .....	1				
21	48960	FITTING,CONN,520120-12.....	1				
22	48998	NIPPLE,DIAGNOSTIC,#6 PORT*** .....	1				
--	20224	DIAGNOSTIC FEMALE Q-DSCNT					
--	48880	CAP,DIAGNOSTIC NIPPLE					
23	48935	TEE,RUN,520428-8.....	1				
24	49180-3316	HOSE ASSEMBLY,3/8".....	1				
25	49143-4829	HOSE ASSY,1/2,90 FEM,STR FEM.....	1				
26	49110-3392	HOSE ASSEMBLY-1/2" 100R2.....	2				

709.2 Hydraulic Hoses and Fittings - Drive System (from SN 3835)



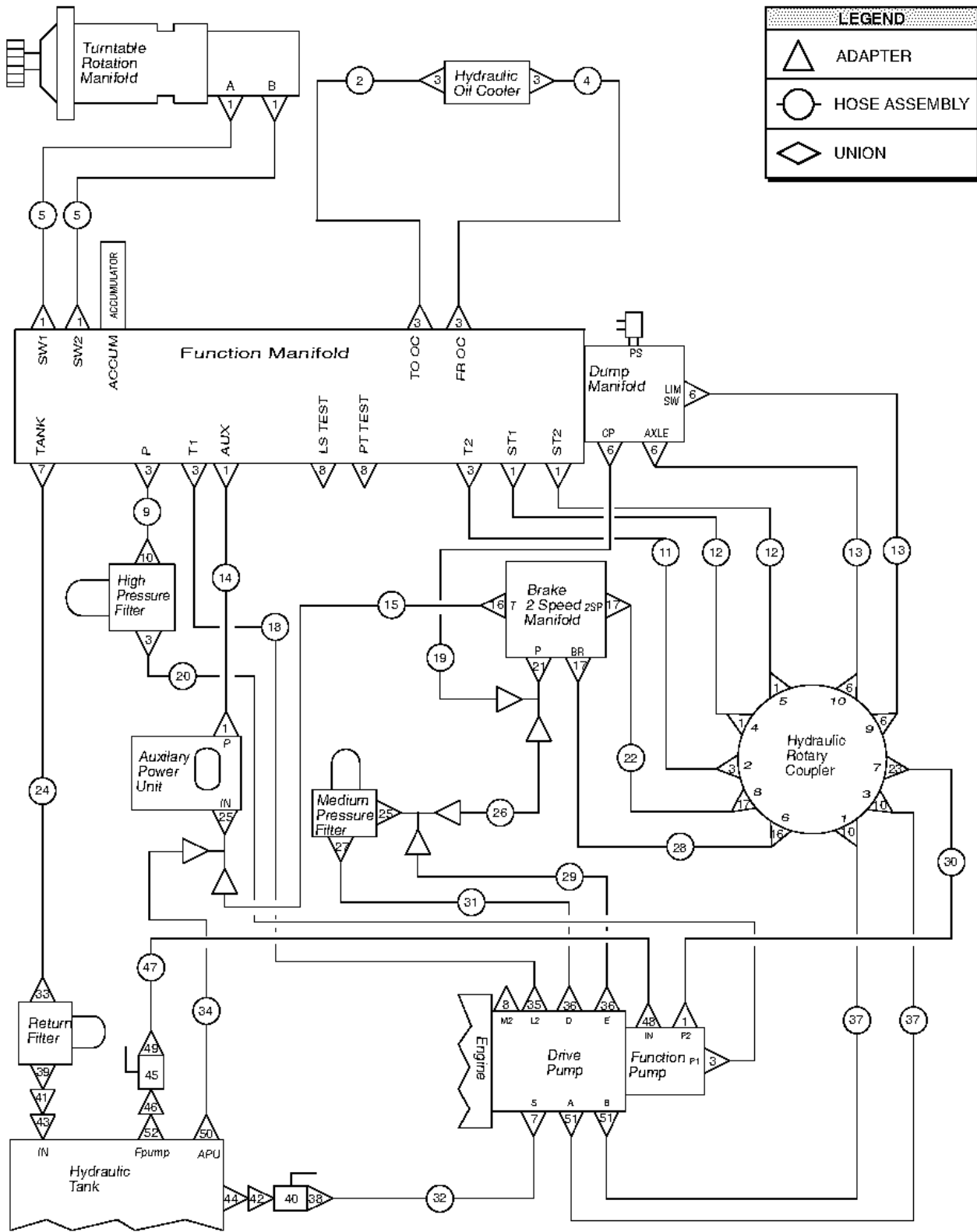
LEGEND	
	ADAPTER
	HOSE ASSEMBLY
	UNION

709.2 Hydraulic Hoses and Fittings - Drive System (from SN 3835)

Item	Part No.	Description	Qty.	Item	Part No.	Description	Qty.
--	49612	O-RING KIT (ORFS FITTINGS)		13	48894	CONN,BULKHEAD,520601-8.....	9
--	49613	PLUG AND CAP KIT-SERVICE,ORFS*		14	49143-5229	HOSE ASSY,1/2,90 FEM,STR FEM.....	2
1	49117-13591	HOSE ASSY,1/4,90 FEM,STR FEM.....	1	15	48963	FITTING,ELBOW,45D,520320-12***	3
2	49117-13291	HOSE ASSY,1/4,90 FEM,STR FEM.....	1	16	49109-9429	HOSE ASSY,1/2,90 FEM,STR FEM.....	2
3	48904	ELBOW,90D,520220-4-4.....	8	17	94374-2630	HOSE ASSY,3/4,90 FEM,STR FEM**.....	1
4	49117-12691	HOSE ASSY,1/4,90 FEM,STR FEM**..... <i>to SN 4211</i>	1	18	94374-4130	HOSE ASSY,3/4,90 FEM,STR FEM.....	1
--	49117-12391	HOSE ASSY,1/4,90 FEM,STR FEM..... <i>from SN 4618</i>	1	19	94466-2636	HOSE ASSY,1/2,STR FEM,STR FEM.....	1
--	49117-12691	HOSE ASSY,1/4,90 FEM,STR FEM**..... <i>from SN 4436 to SN 4617</i>	1	20	75278-8429	HOSE ASSY,1/2,90 FEM,STR FEM.....	2
5	49116-12737	HOSE ASSY,1/4,45 FEM,STR FEM**..... <i>to SN 4211</i>	1	21	81812-3392	HOSE ASSY,1/2,STR FEM,STR FEM.....	1
--	49116-12737	HOSE ASSY,1/4,45 FEM,STR FEM**..... <i>from SN 4436 to SN 4617</i>	1	22	48960	FITTING,CONN,520120-12.....	3
--	49117-12691	HOSE ASSY,1/4,90 FEM,STR FEM**..... <i>from SN 4618</i>	1	23	48998	NIPPLE,DIAGNOSTIC,#6 PORT***.....	1
6	48948	CONN,520120-8-12.....	8	--	20224	DIAGNOSTIC FEMALE Q-DSCNT	
7	61346	CONN,BULKHEAD,520801,-8.....	2	--	48880	CAP,DIAGNOSTIC NIPPLE	
8	48890	FITTING,TEE,BRANCH,520429-4***	4	24	48935	TEE,RUN,520428-8.....	1
9	81812-6192	HOSE ASSY,1/2,STR FEM,STR FEM.....	4	25	49180-3316	HOSE ASSEMBLY,3/8".....	1
10	49180-6716	HOSE ASSEMBLY,3/8"..... <i>to SN 4211</i>	1	26	49143-4829	HOSE ASSY,1/2,90 FEM,STR FEM.....	1
--	49141-6463	HOSE ASSY,1/2,45 FEM,STR FEM..... <i>from SN 4618</i>	1	27	49110-3392	HOSE ASSEMBLY-1/2" 100R2.....	2
--	49180-6716	HOSE ASSEMBLY,3/8"..... <i>from SN 4436 to SN 4617</i>	1	28	49143-1929	HOSE ASSY,1/2,90 FEM,STR FEM.....	1
11	49180-6916	HOSE ASSEMBLY,3/8"..... <i>to SN 4211</i>	1	29	75278-2579	HOSE ASSY,1/2,90 FEM,STR FEM.....	1
--	49141-6463	HOSE ASSY,1/2,45 FEM,STR FEM..... <i>from SN 4212 to SN 4435</i>	1	30	75278-2429	HOSE ASSY,1/2,90 FEM,STR FEM.....	1
--	49180-6916	HOSE ASSEMBLY,3/8"..... <i>from SN 4436 to SN 4617</i>	1	31	48940	TEE,BULKHEAD,RUN,520958-8.....	1
12	48933	CONN,520120-8***.....	13	32	49143-4629	HOSE ASSY,1/2,90 FEM,STR FEM.....	2
				33	75278-4329	HOSE ASSY,1/2,90 FEM,STR FEM.....	4
				34	49117-10691	HOSE ASSY 1/4,90 FEM STR FEM.....	2
				35	49119-10678	HOSE ASSY,1/4,STR FEM,STR FEM.....	2



710.1 Hydraulic Hoses and Fittings - Turntable Components



710.1 Hydraulic Hoses and Fittings - Turntable Components

Item	Part No.	Description	Qty.	Item	Part No.	Description	Qty.
--	49612	O-RING KIT (ORFS FITTINGS)		27	48932	FITTING,ELBOW,90D,520220-8***	1
--	49613	PLUG AND CAP KIT-SERVICE,ORFS*		28	49119-3878	HOSE ASSY,1/4,STR FEM,STR FEM.....	1
1	48916	FITTING,CONN,520120-6.....	11	29	49143-2929	HOSE ASSY,1/2,90 FEM,STR FEM.....	1
2	49149-8526	HOSE ASSY,3/4,45 FEM,STR FEM.....	1	30	49128-7109	HOSE ASSEMBLY,3/8".....	1
3	48960	FITTING,CONN,520120-12.....	10	31	49143-3329	HOSE ASSY,1/2,90 FEM,STR FEM.....	1
4	49150-7630	HOSE ASSY,3/4,90 FEM,STR FEM.....	1	32	49159-5118	HOSE ASSEMBLY, 1"..... <i>to SN 3457</i>	1
5	49128-2409	HOSE ASSEMBLY,3/8".....	2	--	88942-5054	HOSE ASSY,1",90 FEM STR FEM <i>from SN 3908</i>	
6	48907	ELBOW,45D,520320-4.....	5	--	88942-5554	HOSE ASSY,1",90 FEM,STR FEM <i>from SN 3458 to SN 3907</i>	
7	48984	CONN,520120-16.....	2	33	73769	CONN,520120-16-20.....	1
8	48998	NIPPLE,DIAGNOSTIC,#6 PORT***.....	3	34	49180-2116	HOSE ASSEMBLY,3/8".....	1
--	20224	DIAGNOSTIC FEMALE Q-DSCNT		35	48959	FITTING,ELBOW,90D,520220-12....	1
--	48880	CAP,DIAGNOSTIC NIPPLE		36	48946	CONN,520120-8-10.....	2
9	61074-7648	HOSE ASSEMBLY 3/4" STR-STR....	1	37	94374-3930	HOSE ASSY,3/4,90 FEM,STR FEM.....	2
10	48963	FITTING,ELBOW,45D,520320-12***	3	38	48986	CONN,520102-16..... <i>to SN 3907</i>	1
11	49150-5230	HOSE ASSY,3/4,90 FEM,STR FEM.....	1	--	48985	ELBOW,45D,520320-16 <i>from SN 3908</i>	
12	49128-3709	HOSE ASSEMBLY,3/8".....	2	39	73768	CONN,090136-20-16.....	1
13	49119-3278	HOSE ASSY,1/4,STR FEM,STR FEM.....	2	40	48994	VALVE,BALL,16 MPT-16 FPT***..... <i>to SN 3457</i>	1
14	49128-3009	HOSE ASSEMBLY,3/8".....	1	--	48996	VALVE,BALL,16 MSAE-16 FSAE*** <i>from SN 3908</i>	
15	49164-5443	HOSE ASSEMBLY,1/4.....	1	41	49729	ADAPTER,SAE-16,1 FPT.....	1
16	48904	ELBOW,90D,520220-4-4.....	2	42	48988	ELBOW,45D,140339-16..... <i>to SN 3457</i>	2
17	48905	CONN,520120-4***.....	3	43	73767	ELBOW,140239-16-16.....	1
18	49150-9030	HOSE ASSY,3/4,90 FEM,STR FEM.....	1	44	45161	STRAINER ASSEMBLY,1.5" NPT.... <i>to SN 3907</i>	1
19	49119-6178	HOSE ASSY,1/4,STR FEM,STR FEM.....	1	--	101490	STRAINER,16 SAE F/24 SAE M <i>from SN 3908</i>	
20	61073-3730	HOSE ASSY,3/4" 90 FEM STR FEM.....	1	45	48994	VALVE,BALL,16 MPT-16 FPT***..... <i>to SN 3457</i>	1
21	48906	TEE,RUN,520428-4.....	1	--	101494	VALVE,BALL,FSAE-20,FSAE-20 <i>from SN 3908</i>	
22	49119-4178	HOSE ASSY,1/4,STR FEM,STR FEM.....	1	46	48988	ELBOW,45D,140339-16..... <i>to SN 3907</i>	1
23	48915	ELBOW,90D,520220-6.....	1	--	61263	UNION,STR.THREAD 20 <i>from SN 3908</i>	
24	49170-2254	HOSE ASSEMBLY 1" 100R4..... <i>to SN 3457</i>	1				
--	88949-2228	HOSE ASSY 1",STR FEM,STR FEM <i>from SN 3458</i>					
25	48935	TEE,RUN,520428-8.....	2				
26	49164-1218	HOSE ASSEMBLY,1/4.....	1				

### 710.1 Hydraulic Hoses and Fittings - Turntable Components (continued)

Item	Part No.	Description	Qty.
47	49159-4618	HOSE ASSEMBLY, 1".....1 <i>to SN 3457</i>	1
--	88943-5586	HOSE ASSY,1.25",90 FEM,STR FEM <i>from SN 3908</i>	
--	88943-6086	HOSE ASSY,1.25",90 FEM,STR FEM <i>from SN 3458 to SN 3907</i>	
48	48984	CONN,520120-16.....1 <i>to SN 3457</i>	1
--	88936	CONNECTOR,520120-20-16 <i>from SN 3458</i>	
49	48986	CONN,520102-16.....1 <i>to SN 3457</i>	1
--	75654	CONN,520120-20 <i>from SN 3908</i>	
--	88937	CONNECTOR,520102-20-16 <i>from SN 3458 to SN 3907</i>	
50	48922	CONN,520102-6-6.....1	1
51	48978	ELBOW,45D,520320-12-16.....2	2
52	45161	STRAINER ASSEMBLY,1.5" NPT.....1 <i>to SN 3907</i>	1
--	101491	STRAINER,20 SAE F/24 SAE M <i>from SN 3908</i>	

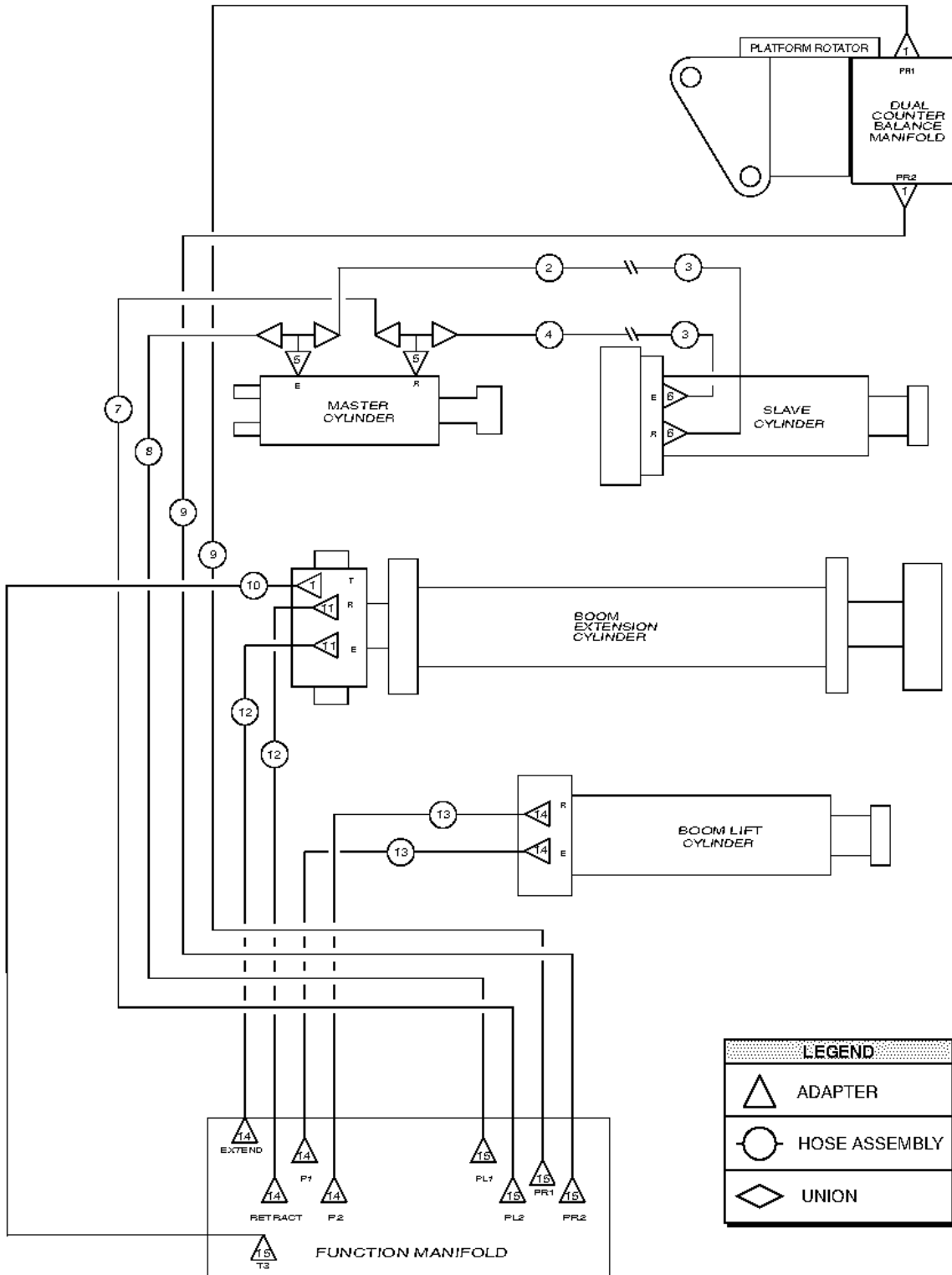


---

710.1 Hydraulic Hoses and Fittings - Turntable Components  
(continued)

***This Page Intentionally Left Blank***

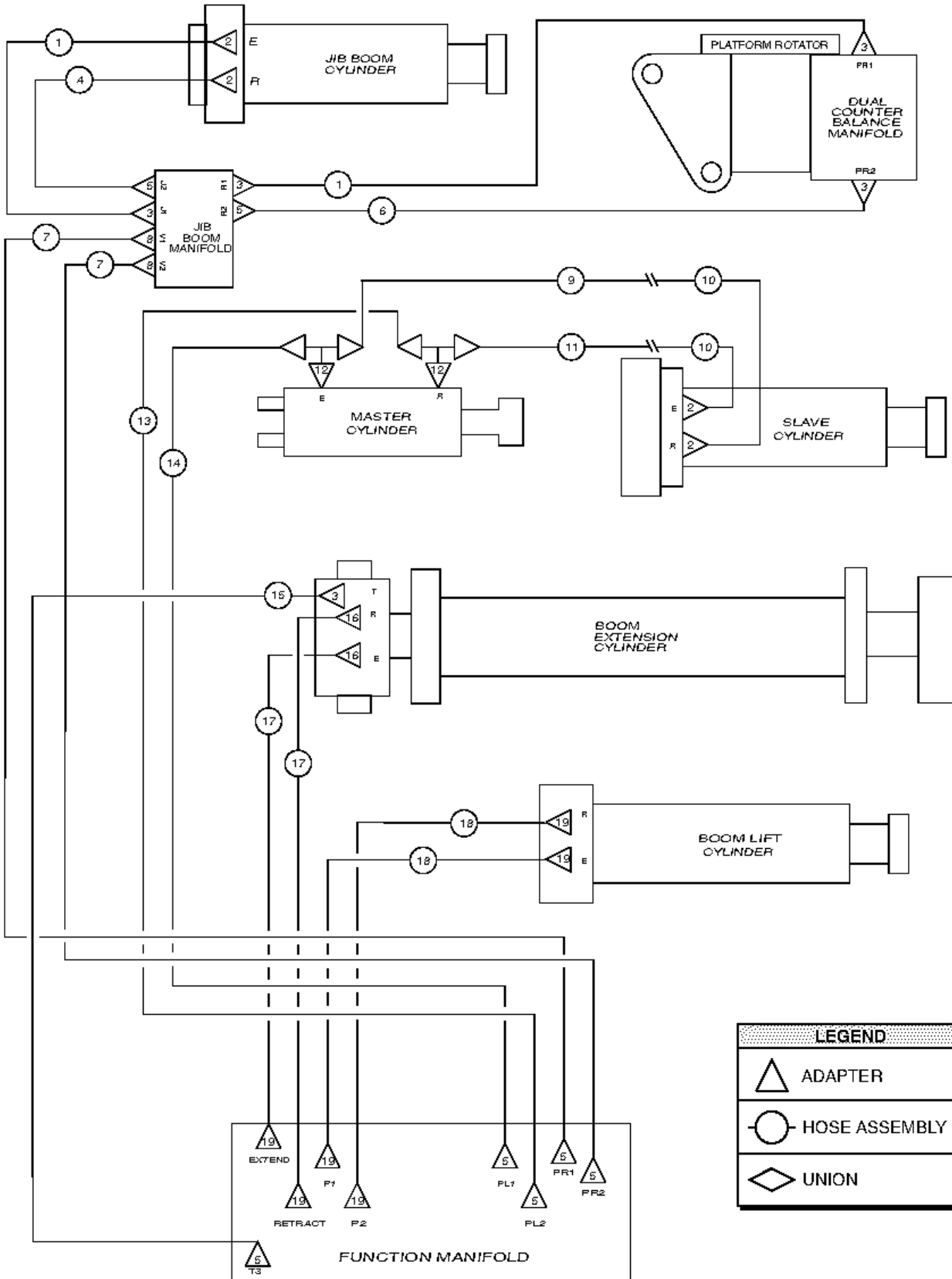
711.1 Hydraulic Hoses and Fittings - Boom



711.1 Hydraulic Hoses and Fittings - Boom

Item	Part No.	Description	Qty.
--	49612	O-RING KIT (ORFS FITTINGS)	
--	49613	PLUG AND CAP KIT-SERVICE,ORFS*	
1	48907	ELBOW,45D,520320-4.....	3
2	49118-100608	HOSE ASSEMBLY,1/4".....	1
3	49184-2451	HOSE ASSEMBLY,1/4".....	2
4	49118-100208	HOSE ASSEMBLY,1/4".....	1
5	48919	TEE,BRANCH,520429-6.....	2
6	48912	CONN,520120-4-6***.....	2
7	49120-15481	HOSE ASSEMBLY, 1/4".....	1
8	49120-14481	HOSE ASSEMBLY, 1/4".....	1
9	49119-115800	HOSE ASSY,1/4,STR FEM,STR FEM.....	2
10	49119-16878	HOSE ASSY,1/4,STR FEM,STR FEM.....	1
11	48937	ELBOW,45D,520320-8.....	2
12	49183-16892	HOSE ASSY,1/2,STR FEM,STR FEM.....	2
13	49183-9392	HOSE ASSY,1/2,STR FEM,STR FEM.....	2
14	48933	CONN,520120-8***.....	6
15	48905	CONN,520120-4***.....	5

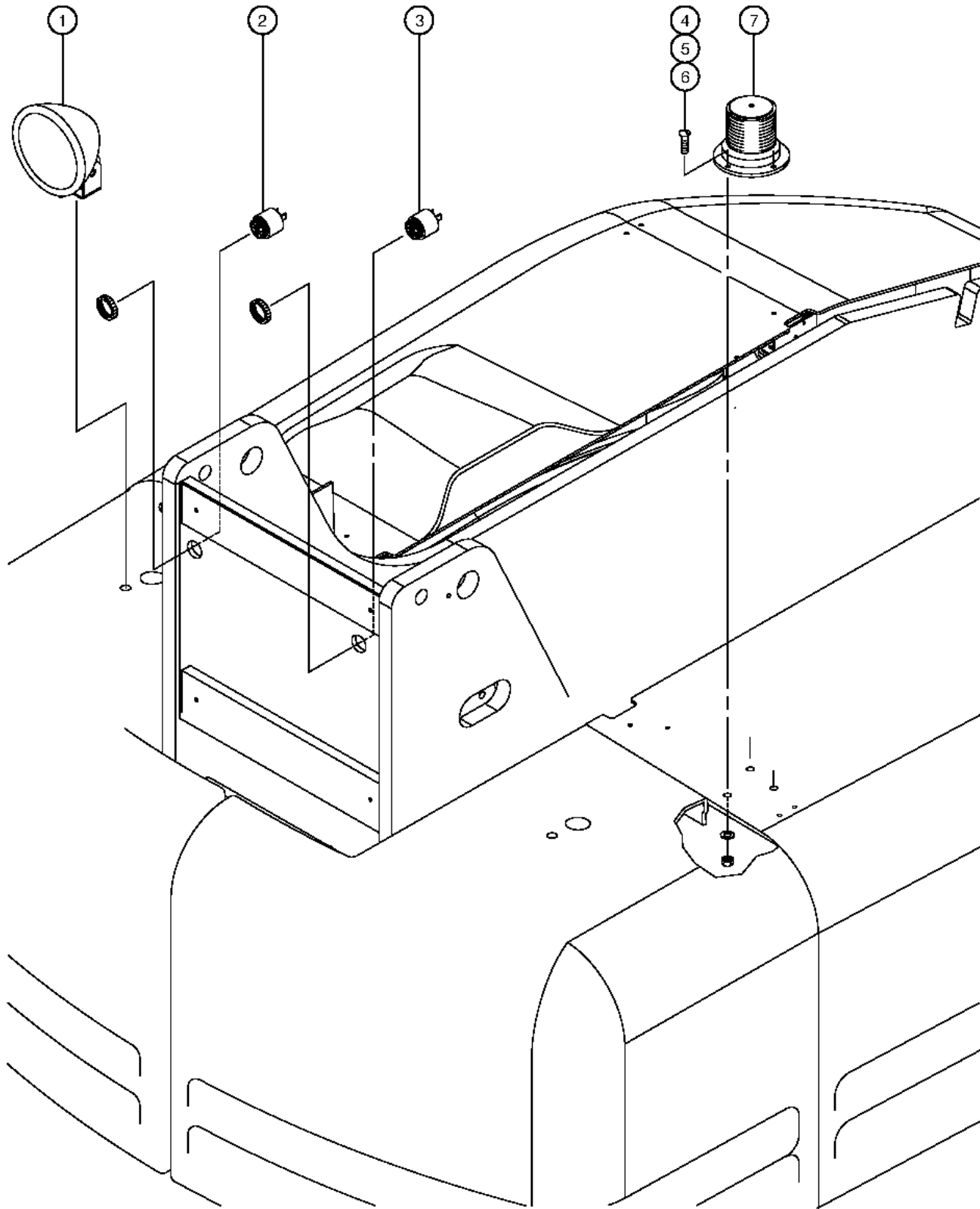
712.1 Hydraulic Hoses and Fittings - Boom



712.1 Hydraulic Hoses and Fittings - Boom

Item	Part No.	Description	Qty.
--	49612	O-RING KIT (ORFS FITTINGS)	
--	49613	PLUG AND CAP KIT-SERVICE,ORFS*	
1	49119-8178	HOSE ASSY,1/4,STR FEM,STR FEM.....	2
2	48912	CONN,520120-4-6*** .....	4
3	48907	ELBOW,45D,520320-4.....	5
4	49116-8037	HOSE ASSY,1/4,45 FEM,STR FEM.....	1
5	48905	CONN,520120-4*** .....	7
6	49116-8237	HOSE ASSY,1/4,45 FEM STR FEM.....	1
7	49119-124400	HOSE ASSY,1/4,STR FEM,STR FEM.....	1
8	48904	ELBOW,90D,520220-4-4.....	2
9	49118-100608	HOSE ASSEMBLY,1/4" .....	1
10	49184-2451	HOSE ASSEMBLY,1/4" .....	2
11	49118-100208	HOSE ASSEMBLY,1/4" .....	1
12	48919	TEE,BRANCH,520429-6.....	2
13	49120-15481	HOSE ASSEMBLY, 1/4" .....	1
14	49120-14481	HOSE ASSEMBLY, 1/4" .....	1
15	49119-16878	HOSE ASSY,1/4,STR FEM,STR FEM.....	1
16	48937	ELBOW,45D,520320-8.....	2
17	49183-16892	HOSE ASSY,1/2,STR FEM,STR FEM.....	1
18	49183-9392	HOSE ASSY,1/2,STR FEM,STR FEM.....	1
19	48933	CONN,520120-8*** .....	6

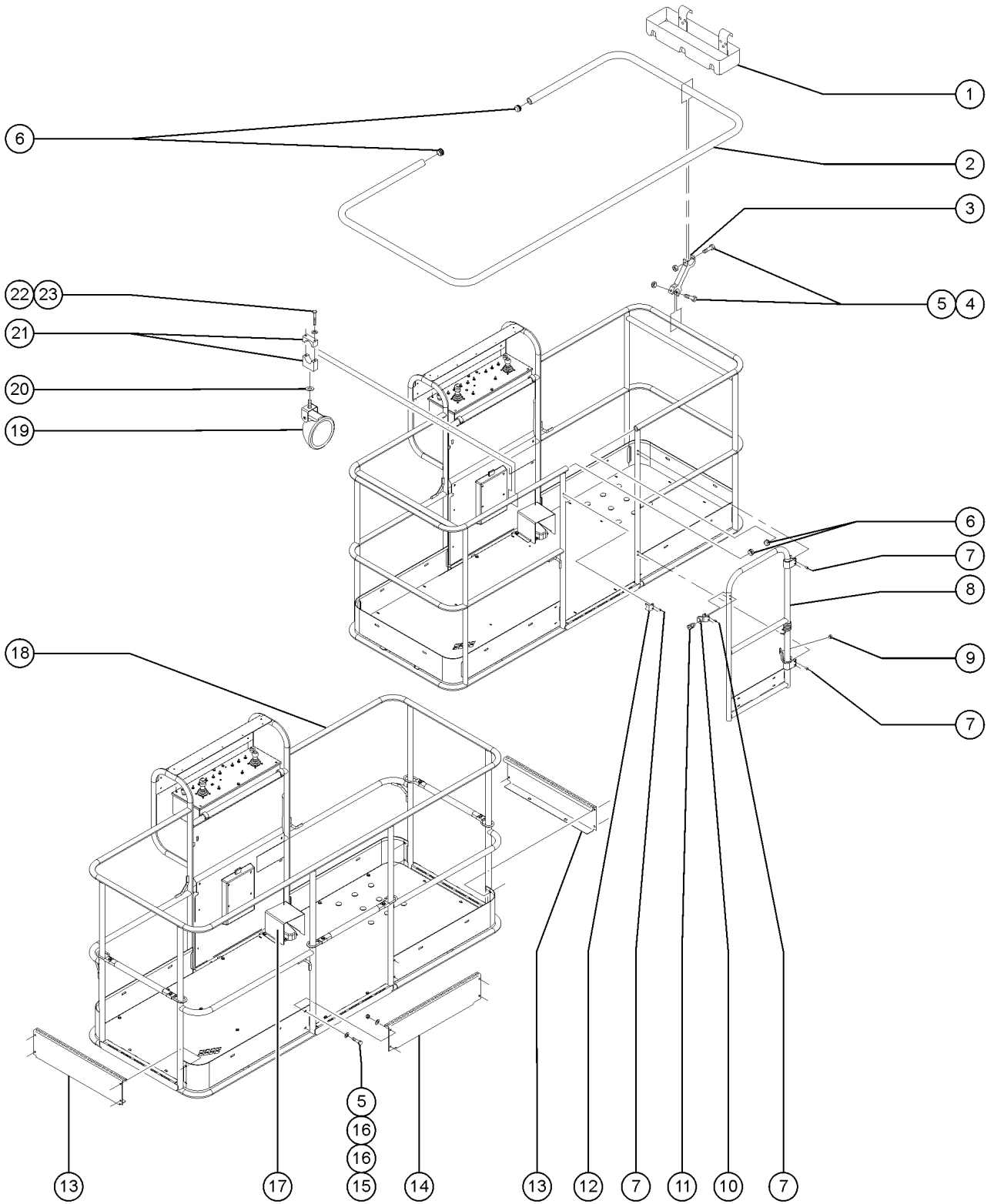
801.1 Alarm and Beacon Package, Driving Lights



801.1 Alarm and Beacon Package, Driving Lights

Item	Part No.	Description	Qty.
--	111421	ALARM PKG, STICK BOOM <i>includes items 2-7</i>	
1	35958	HOUSING,WORKLIGHT***.....	2
1A	35960	BULB,WORKLIGHT,12V 35W	
1B	73817	HARNES,DRIVE LIGHT OPT	
2	45462	ALARM,CHIME TONE 5-25VDC*** <i>to SN 5611; does not include 72326 nut, order separately</i>	
--		Ref. Alarm - Chime Tone (descent) (refer to 309.1) <i>from SN 5612</i>	
--	72326	NUT - PLASTIC,RING FOR ALARMS	
3	18963	ALARM.INTERMITTENT TONE.24V..... <i>Does not include 72326 nut, order seperately</i>	1
--	72326	NUT - PLASTIC,RING FOR ALARMS	
4	6147	SCREW,RHM,10-32 X 1	
5	6146	WASHER,FLAT,MS,#10,Y	
6	6178	NUT,NYLOCK,10-32	
7	56704	STROBE,FIREBOLT,12-80VDC,AMB**. <i>(replaced 20189)</i>	2
--	122019	FLASHTUBE,U SHAPED,360DEG,BULB <i>from SN 5212</i>	
--	226393	FLASHTUBE,STRAIGHT,360DEG,BULB <i>from SN 5212</i>	
--	72282	LENS,AMBER,STROBE,FIREBOLT	

802.1 Platform Options





802.1 Platform Options

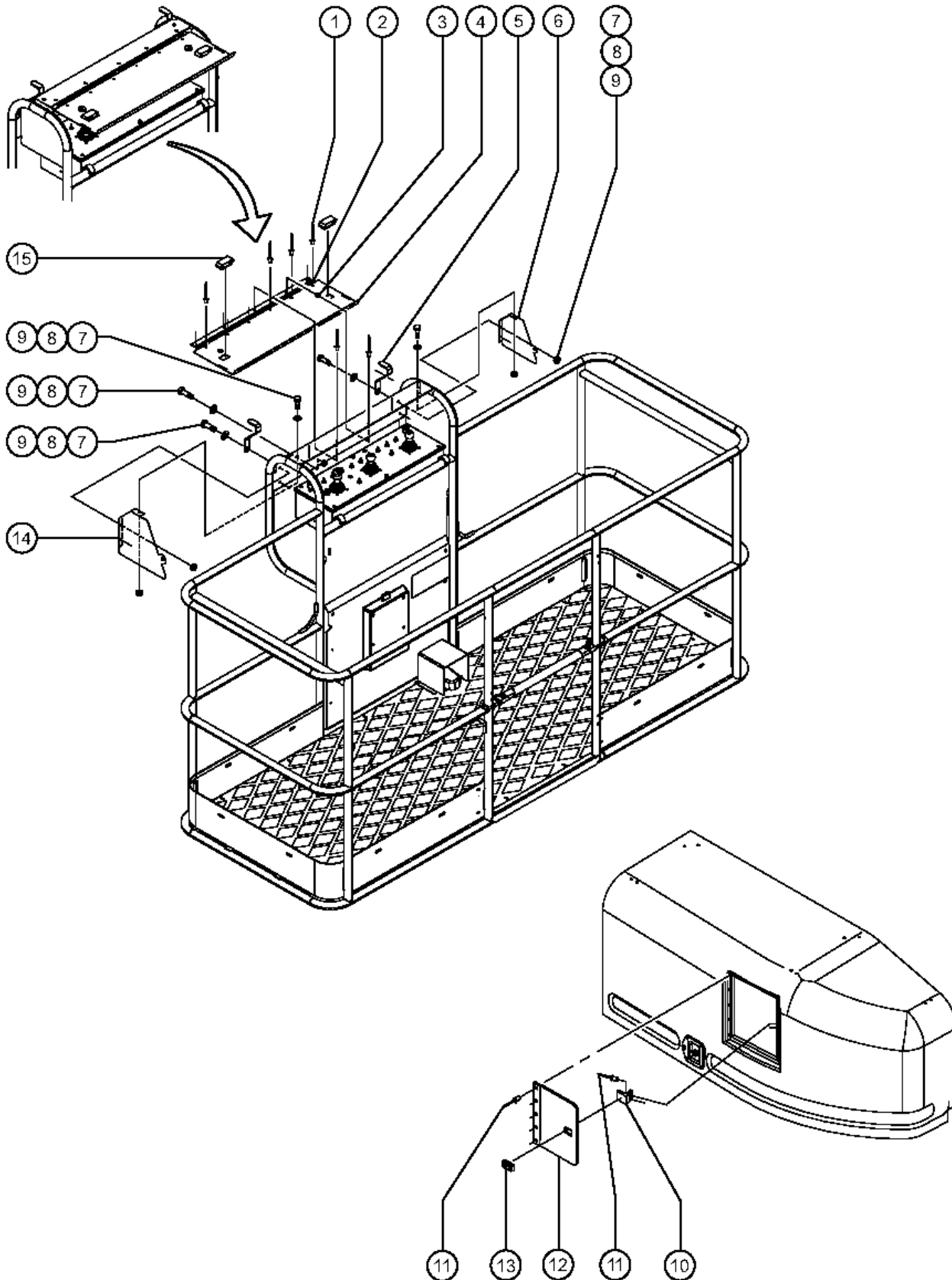
Item	Part No.	Description	Qty.	Item	Part No.	Description	Qty.
--	53808-S	AUX TOP RAIL,6'(1.25")SERVICE		--	102434	6' TRI-ENT ASSY W/DECALS AUSTR <i>Australia; The following is a list of complete Tri-Entry platforms by region, and then by size.; from SN 4685 to SN 4702</i>	
--	53807-S	AUX TOP RAIL,8'(1.25")SERVICE		--	102438	8' TRI-ENT ASSY W/DECALS AUSTR <i>Australia; The following is a list of complete Tri-Entry platforms by region, and then by size.; to SN 4666</i>	
--	75527	HARNESS,WORKLIGHT OPT		--	102438	8' TRI-ENT ASSY W/DECALS AUSTR <i>Australia; The following is a list of complete Tri-Entry platforms by region, and then by size.; from SN 4685 to SN 4702</i>	
--	102720	OPT,TOEBOARD,8'TRI ENTRY,EURO <i>includes items 5, 13-16</i>		--	111300	6' TRI-ENT ASSY W/DECALS AUSTR <i>The following is a list of complete Tri-Entry platforms by region, and then by size.; from SN 4667 to SN 4684</i>	
--	102433	6' TRI-ENT ASSY W/DECALS ANSI <i>USA and Canada; The following is a list of complete Tri-Entry platforms by region, and then by size.; to SN 4666</i>		--	111300	6' TRI-ENT ASSY W/DECALS AUSTR <i>The following is a list of complete Tri-Entry platforms by region, and then by size.; from SN 4703</i>	
--	102433	6' TRI-ENT ASSY W/DECALS ANSI <i>USA and Canada; The following is a list of complete Tri-Entry platforms by region, and then by size.; from SN 4685 to SN 4702</i>		--	111301	8' TRI-ENT ASSY W/DECALS AUSTR <i>The following is a list of complete Tri-Entry platforms by region, and then by size.; from SN 4667 to SN 4684</i>	
--	102437	8' TRI-ENT ASSY W/DECALS ANSI <i>USA and Canada; The following is a list of complete Tri-Entry platforms by region, and then by size.; to SN 4666</i>		--	111301	8' TRI-ENT ASSY W/DECALS AUSTR <i>The following is a list of complete Tri-Entry platforms by region, and then by size.; from SN 4667 to SN 4684</i>	
--	102437	8' TRI-ENT ASSY W/DECALS ANSI <i>USA and Canada; The following is a list of complete Tri-Entry platforms by region, and then by size.; from SN 4685 to SN 4702</i>		--	111301	8' TRI-ENT ASSY W/DECALS AUSTR <i>The following is a list of complete Tri-Entry platforms by region, and then by size.; from SN 4703</i>	
--	111298	8' TRI-ENT ASSY W/DECALS ANSI <i>The following is a list of complete Tri-Entry platforms by region, and then by size.; from SN 4667 to SN 4684</i>		--	102436	6' TRI-ENT ASSY W/DECALS A/SOA <i>Asia and South America; The following is a list of complete Tri-Entry platforms by region, and then by size.</i>	
--	111298	8' TRI-ENT ASSY W/DECALS ANSI <i>The following is a list of complete Tri-Entry platforms by region, and then by size.; from SN 4703</i>		--	102440	8' TRI-ENT ASSY W/DECALS A/SOA <i>Asia and South America; The following is a list of complete Tri-Entry platforms by region, and then by size.</i>	
--	111298	8' TRI-ENT ASSY W/DECALS ANSI <i>The following is a list of complete Tri-Entry platforms by region, and then by size.; from SN 4703</i>		1	9599-S	TOOL TRAY ACCESSORY*** .....1	
--	111299	8' TRI-ENT ASSY W/DECALS ANSI <i>The following is a list of complete Tri-Entry platforms by region, and then by size.; from SN 4667 to SN 4684</i>		2	1259704	PINCH GUARD RAIL,6' PLATFORM.....1 <i>includes 55753 bumpers</i>	
--	111299	8' TRI-ENT ASSY W/DECALS ANSI <i>The following is a list of complete Tri-Entry platforms by region, and then by size.; from SN 4703</i>		--	52661	PINCH GUARD RAIL,8' PLATFORM** <i>shown</i>	
--	102439	8' TRI-ENT ASSY W/DECALS CE <i>Europe; The following is a list of complete Tri-Entry platforms by region, and then by size.</i>		3	139958	KIT, AUX TOP RAIL SUPPORT.....10 <i>to SN 6019</i>	
--	102434	6' TRI-ENT ASSY W/DECALS AUSTR <i>Australia; The following is a list of complete Tri-Entry platforms by region, and then by size.; to SN 4666</i>		--	122073	SUPPORT, RAILING.....20 <i>from SN 6020</i>	
				4	4266	SCREW,HHC,1/4-20 X 2 <i>to SN 6019</i>	

802.1 Platform Options  
(continued)

Item	Part No.	Description	Qty.	Item	Part No.	Description	Qty.
--	122231	SCREW,BHSC,1/4-20 X 1 <i>from SN 6020</i>		--	111320	8' TRI-ENT RAIL W/DECALS ANSI <i>from SN 4667 to SN 4684</i>	
5	6091	NUT,NYLOCK,1/4-20 <i>to SN 6019</i>		--	111320	8' TRI-ENT RAIL W/DECALS ANSI <i>from SN 4703</i>	
--	6889	NUT,LP NYLOCK,1/4-20 <i>from SN 6020</i>		--	107706	8' TRI-ENT RAIL W/DECALS CE/UK <i>Europe</i>	
6	55753	BUMPER, PLASTIC, 1.25 O.D.....4		--	107707	6' TRI-ENT RAIL W/DECALS AUSTR <i>Australia</i>	
7	7265	RIVET,STEEL,P, .25 X .375.....14		--	107708	8' TRI-ENT RAIL W/DECALS AUSTR <i>Australia</i>	
8	128368	KIT,SWING GATE W/SPRING.....1		--	107709	6' TRI-ENT RAIL W/DECALS A/SOA <i>Asia and South America</i>	
8A	119950	KIT,FIELD INSTALL,SWING GATE <i>includes 128368, 1487, 1488 and 33674</i>		--	107710	8' TRI-ENT RAIL W/DECALS A/SOA <i>Asia and South America</i>	
--	1487	GATE LATCH CASTING--DRILLED		19	35958	HOUSING,WORKLIGHT*** .....2 <i>included with Work Light Option</i>	
--	1488	RAILING CATCH CASTING--DRILLED		19A	35960	BULB,WORKLIGHT,12V 35W	
--	33674	PIN,LOCK,SHORT***		20	6036	WASHER,LOCK,.625 PLTD	
--	9596	HINGE CASTING		21	75519	CLAMP,WORKLIGHT.....2	
9	43392	BUMPER,BATTERY BOX & RAILS.....1		22	6145	SCREW,HHC,1/4-20 X 1.5	
10	1487	GATE LATCH CASTING--DRILLED.....1		23	6356	WASHER,LOCK,.25	
11	33674	PIN,LOCK,SHORT*** .....1					
12	1488	RAILING CATCH CASTING--DRILLED.....1					
13	102721P	TOEBOARD,8'TRI ENTRY.....2					
14	94745P	TOEBOARD,ENTRY EUROPEAN PNTD** .....1					
15	6090	SCREW,HHC,1/4-20 X .75					
16	6638	WASHER,FLAT,USS,1/4"Y					
17	128429	LARGE FOOT SWITCH COVER.....1 <i>part of the Arctic hose option; from SN 6498</i>					
18	107704	6' TRI-ENT RAIL W/DECALS ANSI <i>USA and Canada; to SN 4666</i>					
--	107704	6' TRI-ENT RAIL W/DECALS ANSI <i>USA and Canada; from SN 4685 to SN 4702</i>					
--	107705	8' TRI-ENT RAIL W/DECALS ANSI <i>USA and Canada; to SN 4666</i>					
--	107705	8' TRI-ENT RAIL W/DECALS ANSI <i>USA and Canada; from SN 4685 to SN 4702</i>					
--	111319	6' TRI-ENT RAIL W/DECALS ANSI <i>from SN 4667 to SN 4684</i>					
--	111319	6' TRI-ENT RAIL W/DECALS ANSI <i>from SN 4703</i>					

*This Page Intentionally Left Blank*

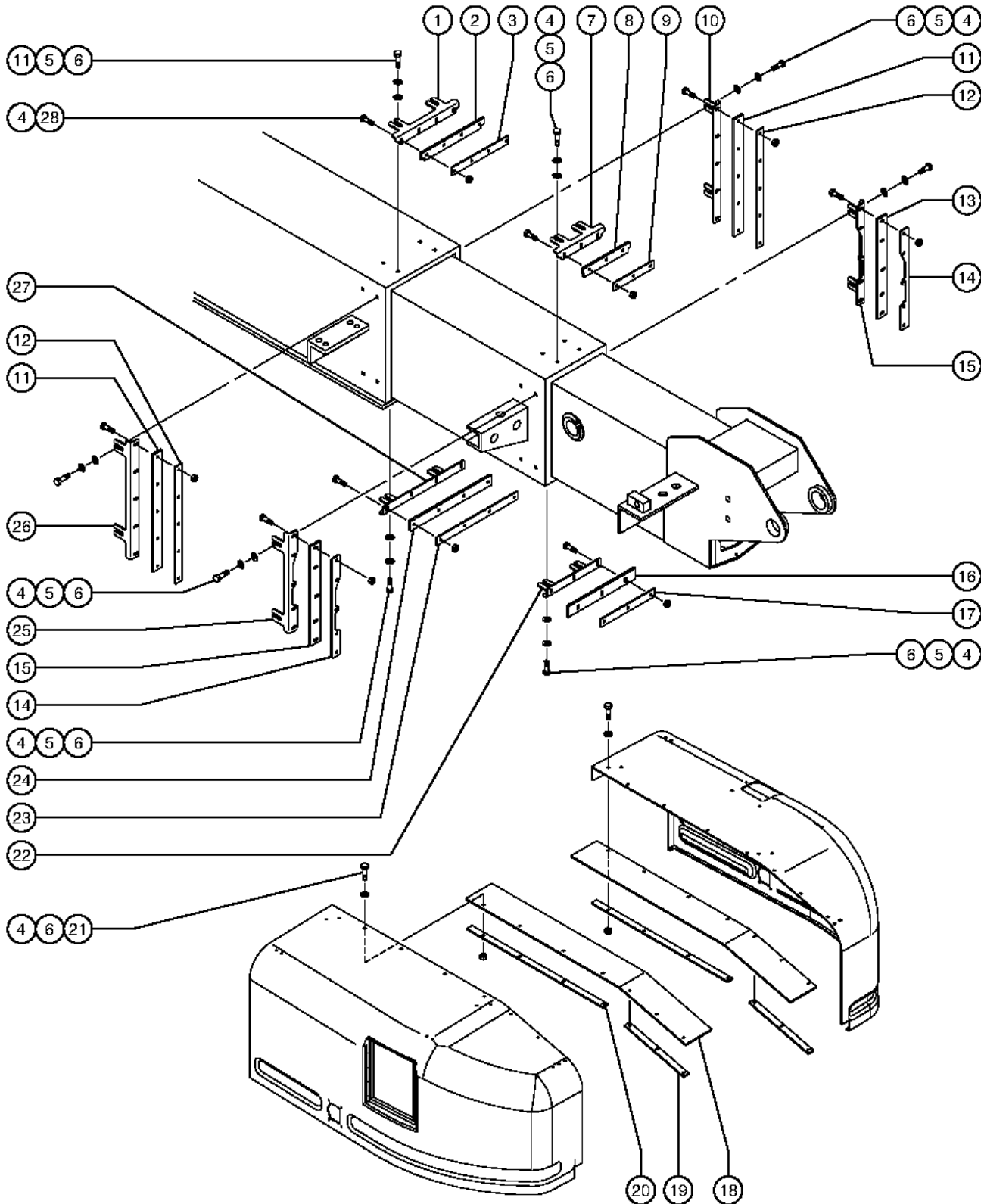
803.1 Ground and Platform Control Box Covers



803.1 Ground and Platform Control Box Covers

Item	Part No.	Description	Qty.
--	102854	OPTION,PLATFORM CONTROL COVER <i>from SN 3576</i>	
--	119795	KIT,CONTROL BOX COVER <i>to SN 3444</i>	
--	88609-S	CONTROL BOX COVER ASSY*** <i>from SN 3445 to SN 3575</i>	
1	54486	RIVET,ALUM,ALUM,3/16BUTTONHEAD.11	
2	111526	HINGE,PLAT CONTROL BOX COVER.....1	1
3	43392	BUMPER,BATTERY BOX & RAILS.....2	2
4	102676	LID ASSY,CONTROL BOX COVER PLT .....1 <i>includes items 1, 3-5, 7-9 and 15</i>	1
--	102785P	CONTROL BOX COVER,LID,PTD	
5	102786P	FORMING,LATCH,CTRL BOX LID PTD.....2	2
6	88606P	COVER,CONTROL BOX RIGHT SIDE** .....1	1
7	6889	NUT,LP NYLOCK,1/4-20	
8	6638	WASHER,FLAT,USS,1/4"Y	
9	6888	SCREW,HHC,1/4-20 X 1	
10	49534	DOOR LATCH,BASE CONTROL BOX.....1	1
11	53189	RIVET,ALUM,ALUM,P,.25X.375.....7	7
12	49533P	COVER,LOWER CONT BOX,GRAY,PTD.....1	1
13	30468	LATCH,SLIDE, FLUSH MOUNT STYLE.....1	1
14	88607P	COVER,CONTROL BOX LEFT SIDE***.....1	1
15	30468	LATCH,SLIDE, FLUSH MOUNT STYLE.....2	2

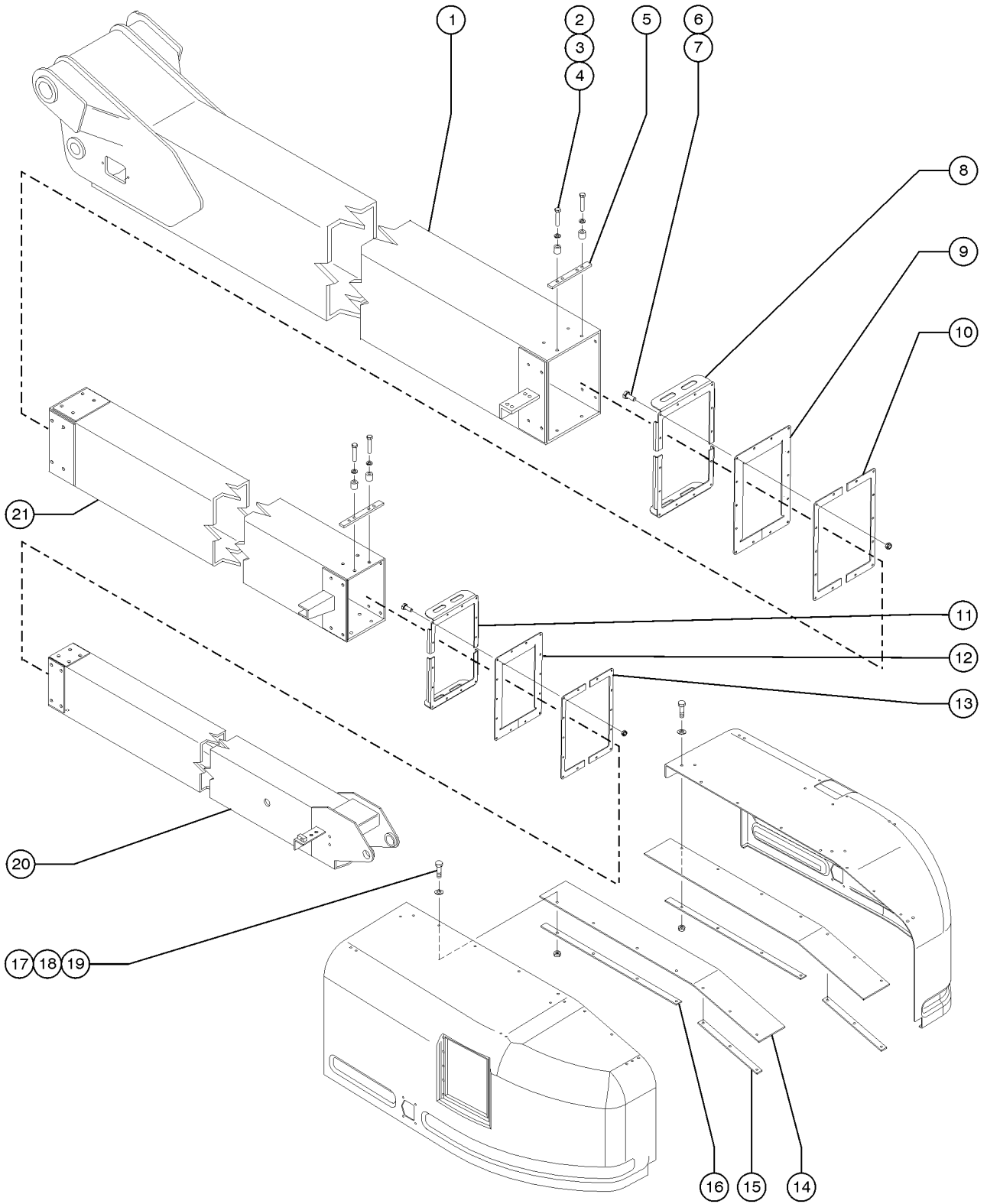
804.1 Hostile Environment Package - Boom and Turntable Covers (to SN 5894)



## 804.1 Hostile Environment Package - Boom and Turntable Covers (to SN 5894)

Item	Part No.	Description	Qty.
--	122628	UPGRADE KIT, BOOM WIPER <i>(refer to 804.2); from SN 3575</i>	
--	230995	COVER,HSE&CBL DLX HOSTILE <i>from SN 3575</i>	
--	81063P	BRACKET SWITCHGUARD <i>to SN 3574</i>	
--	81064	WIPER,SWITCH GUARD <i>to SN 3574</i>	
--	81704	S80 STD HOSTILE ENVIRONMENT	
--	81945P	BRACKET,WIPER PNTD <i>from SN 3575</i>	
1	63179P	WIPER BRACKET, PNTD.....	1
2	63171	WIPER.....	1
3	63172P	BACKING PLATE, PNTD.....	1
4	6888	SCREW,HHC,1/4-20 X 1	
5	6356	WASHER,LOCK,.25	
6	6638	WASHER,FLAT,USS,1/4"Y	
7	63135P	WIPER BRACKET, PNTD.....	1
8	63174	WIPER.....	1
9	63168P	BACKING PLATE, PAINTED.....	1
10	63143P	WIPER BRACKET, PNTD.....	1
11	63144	WIPER.....	2
12	63170P	BACKING PLATE, PNTD.....	2
13	63138	WIPER.....	2
14	63167P	BACKING PLATE, PNTD.....	2
15	63176P	WIPER BRACKET, PNTD.....	1
16	63136	WIPER.....	1
17	63175P	BACKING PLATE, PNTD.....	1
18	34381	FLAP,SWING CHASSIS COVER....	2
19	34389P	BAR,FLAP REINFORCING 23" BLUE.....	2
20	34388P	BAR,FLAP REINFORCING 37.5 BLUE.....	2
21	6091	NUT,NYLOCK,1/4-20	
22	63177P	WIPER BRACKET, PNTD.....	1
23	63182P	BACKING PLATE, PNTD.....	1
24	63181	WIPER.....	1
25	63137P	WIPER BRACKET, PNTD.....	1
26	63180P	WIPER BRACKET, PNTD.....	1
27	63141P	WIPER BRACKET, PNTD.....	1
28	6889	NUT,LP NYLOCK,1/4-20	

804.2 Hostile Environment Package - Boom and Turntable Covers (from SN 5895)

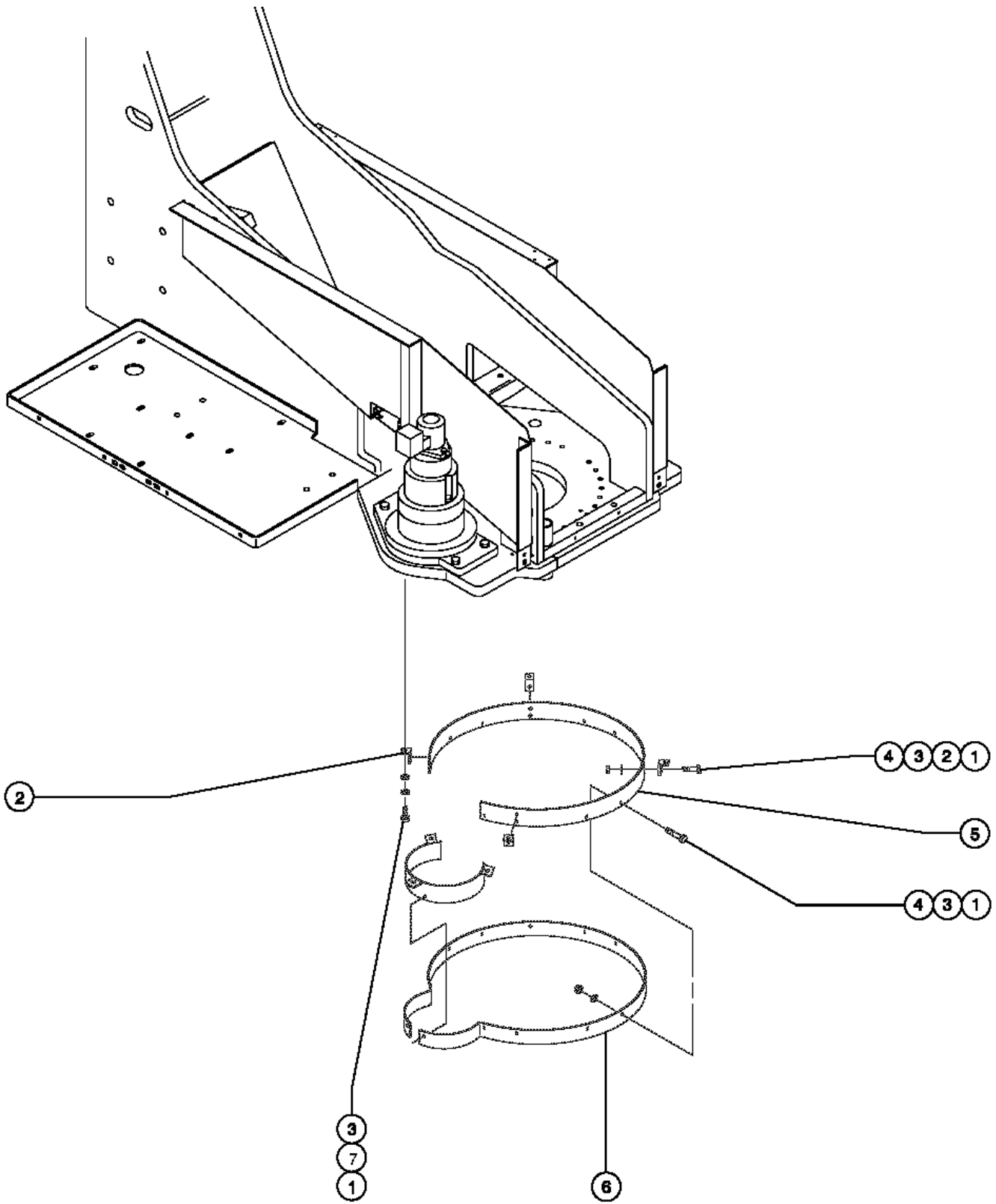




## 804.2 Hostile Environment Package - Boom and Turntable Covers (from SN 5895)

Item	Part No.	Description	Qty.
--	102337	S80 DLX HOSTILE ENVIRONMENT	
--	122628	UPGRADE KIT, BOOM WIPER (includes items 6-13)	
--	230995	COVER,HSE&CBL DLX HOSTILE	
--	81704	S80 STD HOSTILE ENVIRONMENT	
1	Ref.	Number 1 Boom Tube Assembly with Decal (refer to 501.1)	
2	5224	SCREW,HHC,3/8-16 X 2	
3	6021	WASHER,LOCK,.375	
4	101932	TUBE,RD,STL,DOM,.75X.38X.78	
5	110444	SPACER,BOOM TOP.....2	
6	6878	BOLT,CARRIAGE,1/4-20 X .75,G2	
7	6091	NUT,NYLOCK,1/4-20	
8	122567	FORMING, BRKT, WIPER 1 TO 2....2	
9	122569	WIPER,RUBBER, 1 TO 2.....1	
10	122568	PLATE, BACKING WIPER 1 TO 2....2	
11	122570	FORMING, BRKT, WIPER 2 TO 3....2	
12	122572	WIPER,RUBBER, 2 TO 3.....1	
13	122571	PLATE,BACKING WIPER 2 TO 3....2	
14	34381	FLAP,SWING CHASSIS COVER....2	
15	34389P	BAR,FLAP REINFORCING 23" BLUE.....2-23-inches	
16	34388P	BAR,FLAP REINFORCING 37.5 BLUE	
17	6888	SCREW,HHC,1/4-20 X 1	
18	6638	WASHER,FLAT,USS,1/4"Y	
19	6091	NUT,NYLOCK,1/4-20	
20	Ref.	Number 3 Boom Tube (refer to 502.1)	
21	Ref.	Number 2 Boom Tube (refer to 502.1)	

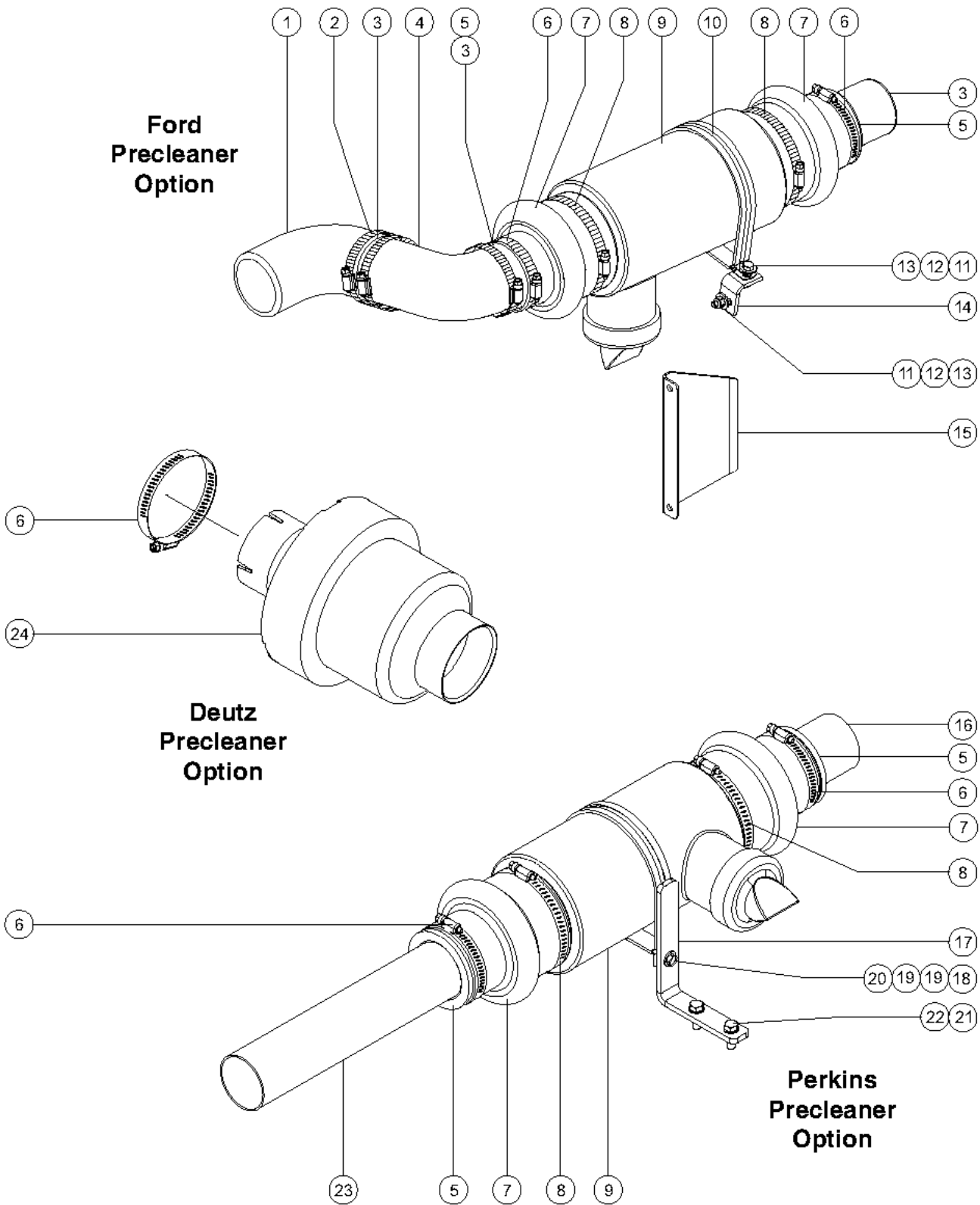
805.1 Hostile Environment Package - Turntable



805.1 Hostile Environment Package - Turntable

Item	Part No.	Description	Qty.
1	6090	SCREW,HHC,1/4-20 X .75	
2	81062P	ANGLE,RING GUARD *PAINTED....4	
3	6638	WASHER,FLAT,USS,1/4"Y	
4	6091	NUT,NYLOCK,1/4-20	
5	35419P	BRACKET,RING GUARD.....1	
6	35421	WIPER,RING GEAR.....1	
7	6356	WASHER,LOCK,.25	

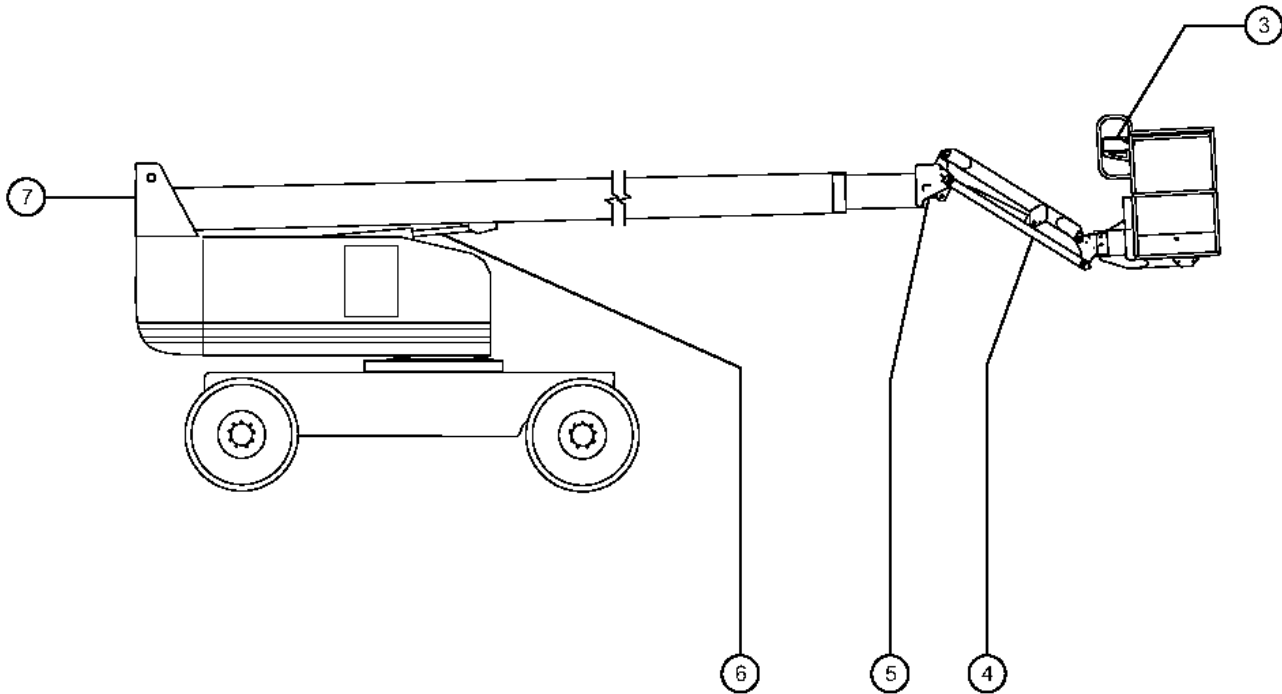
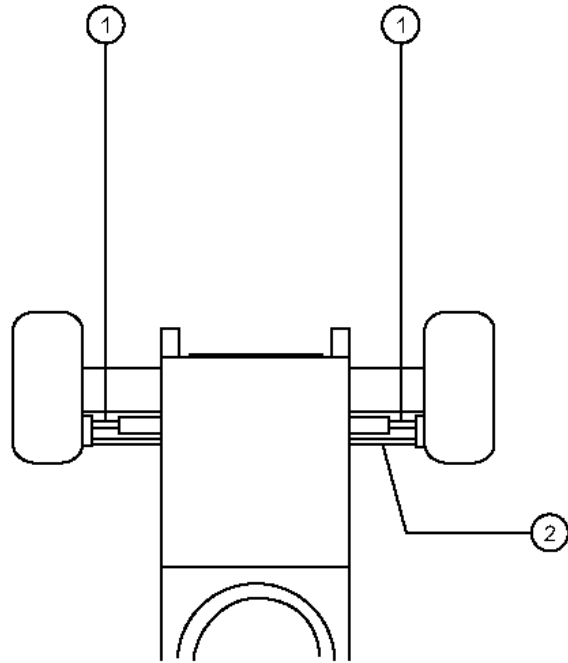
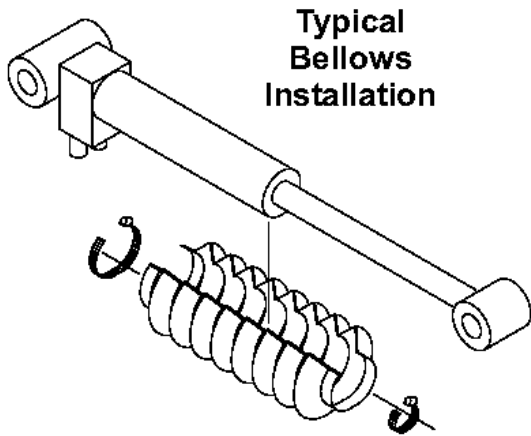
806.1 Hostile Environment Package - Engine Air Cleaners



## 806.1 Hostile Environment Package - Engine Air Cleaners

Item	Part No.	Description	Qty.
1	34164	ELBOW,90 DEGR,RUBBER,2.5" I.D.*.....	1
2	53945	CLAMP,HOSE 2 5/16-3 1/4.....	3
3	35067-200	TUBE,RD,ALUM 2.5 X .083 X 2.00.....	3
4	50941	HOSE,90DEG 2.5" AIR INTAKE.....	1
5	101640	REDUCER,RUBBER 3.0 - 2.5.....	4
6	30971	CLAMP,HOSE,3.00".....	2
7	88492	HOSE,HUMP 3" TO 4".....	4
8	34955	CLAMP,HOSE,5.00.....	4
9	88493	PRECLEANER,AIR INTAKE.....	2
10	101639	CLAMP,5.38,#86 X 3/8,RUB CUSH.....	2
11	6091	NUT,NYLOCK,1/4-20	
12	6888	SCREW,HHC,1/4-20 X 1	
13	6638	WASHER,FLAT,USS,1/4"Y	
14	81062P	ANGLE,RING GUARD *PAINTED....	1
15	102003P	FORMING,BAFFLE PLATE COVER.....	1
16	94324-500	TUBE,RD,STL,ALUMIZD,2.5 X .065.....	1
17	101612P	BRACKET,PRECLEANER PAINTED.....	1
18	4828	NUT,NYLOCK,3/8-16	
19	5397	WASHER,FLAT,USS,5/16",Y	
20	6019	SCREW,HHC,3/8-16 X 1.25 GRD 5	
21	49379	SCREW,HHC,M8 X 1.25 X 25	
22	33277	WASHER,FLAT,M8,YELLOW ZINC	
23	94324-1400	TUBE,RD,STL,ALUMIZD,2.5 X .065.....	1
24	89959	PRECLEANER,INLINE 3".....	1

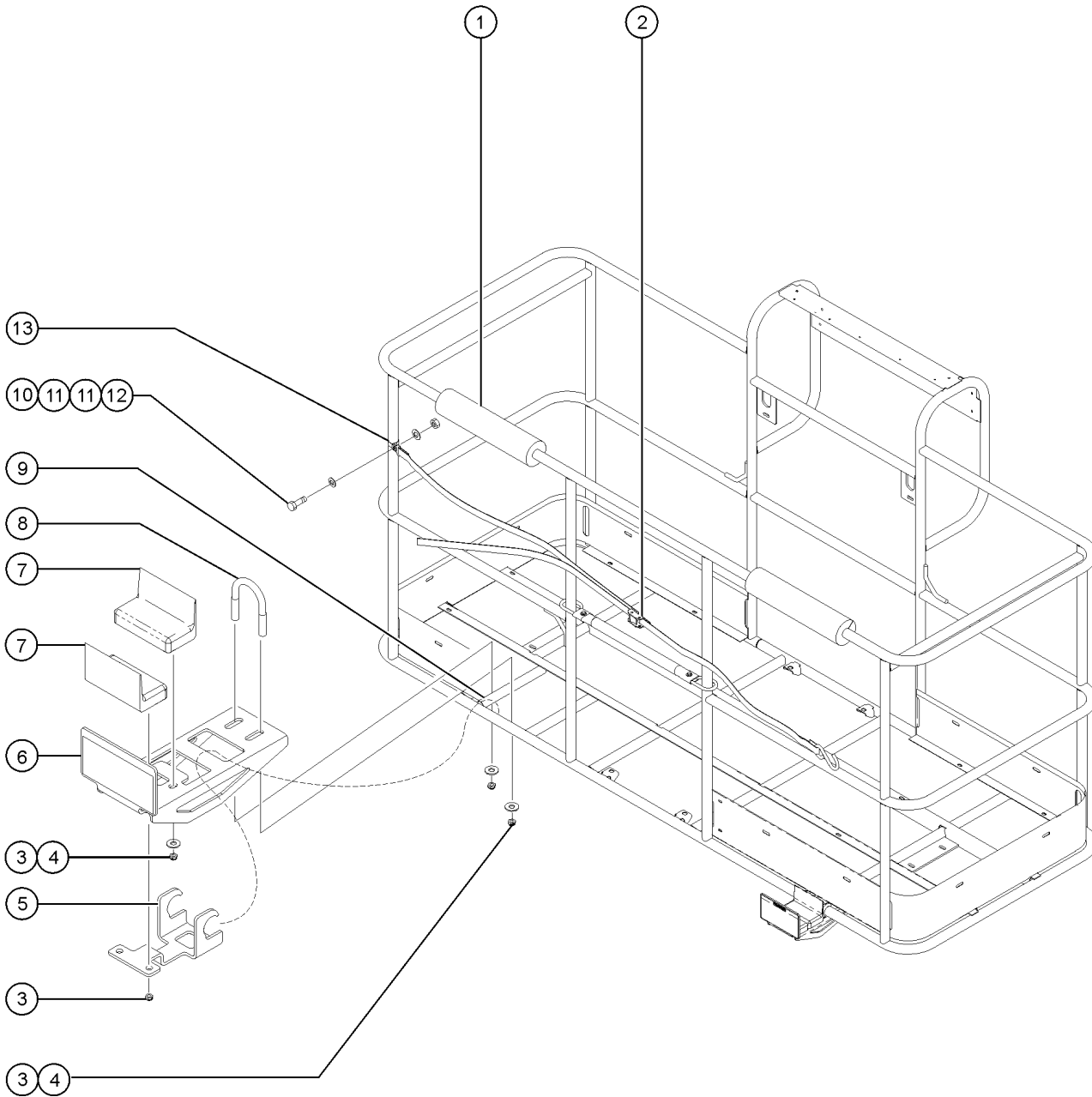
807.1 Hostile Environment Package - Cylinder Bellows



807.1 Hostile Environment Package - Cylinder Bellows

Item	Part No.	Description	Qty.
--	81700	COVER,PROTECTIVE,OSC.CYLINDER	
1	34533	COVER,PROTECTIVE,STEER CYL.....	2
--	30971	CLAMP,HOSE,3.00"	
--	36208	CLAMP,HOSE,1.25***	
2	34532	COVER,PROTECTIVE,TIE ROD CYL.....	1
--	30971	CLAMP,HOSE,3.00"	
--	36208	CLAMP,HOSE,1.25***	
3	82244	DECAL,PROTECTOR,CLEAR***.....	1
--	30971	CLAMP,HOSE,3.00"	
--	36208	CLAMP,HOSE,1.25***	
4	34505	COVER,PROTECTIVE,JIB CYLINDER.....	1
--	30971	CLAMP,HOSE,3.00"	
--	36208	CLAMP,HOSE,1.25***	
5	34503	COVER,PROTECTIVE,SLAVE W/JIB.....	1
--	30489	CLAMP,HOSE,3.50	
--	31523	CLAMP,HOSE,8.50 DIA***	
6	34531	COVER,PROTECTIVE,LIFT CYLINDER.....	1
--	30971	CLAMP,HOSE,3.00"	
--	36208	CLAMP,HOSE,1.25***	
7	34501	COVER,PROTECTIVE,MASTER W/JIB.....	1

808.1 Panel Cradle Option

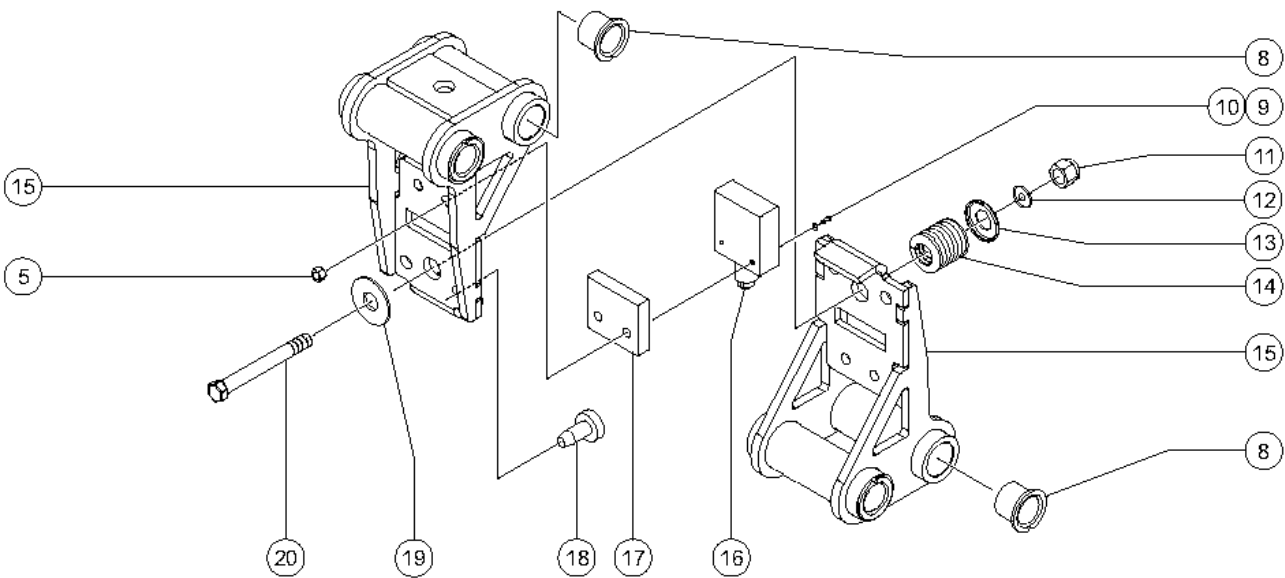
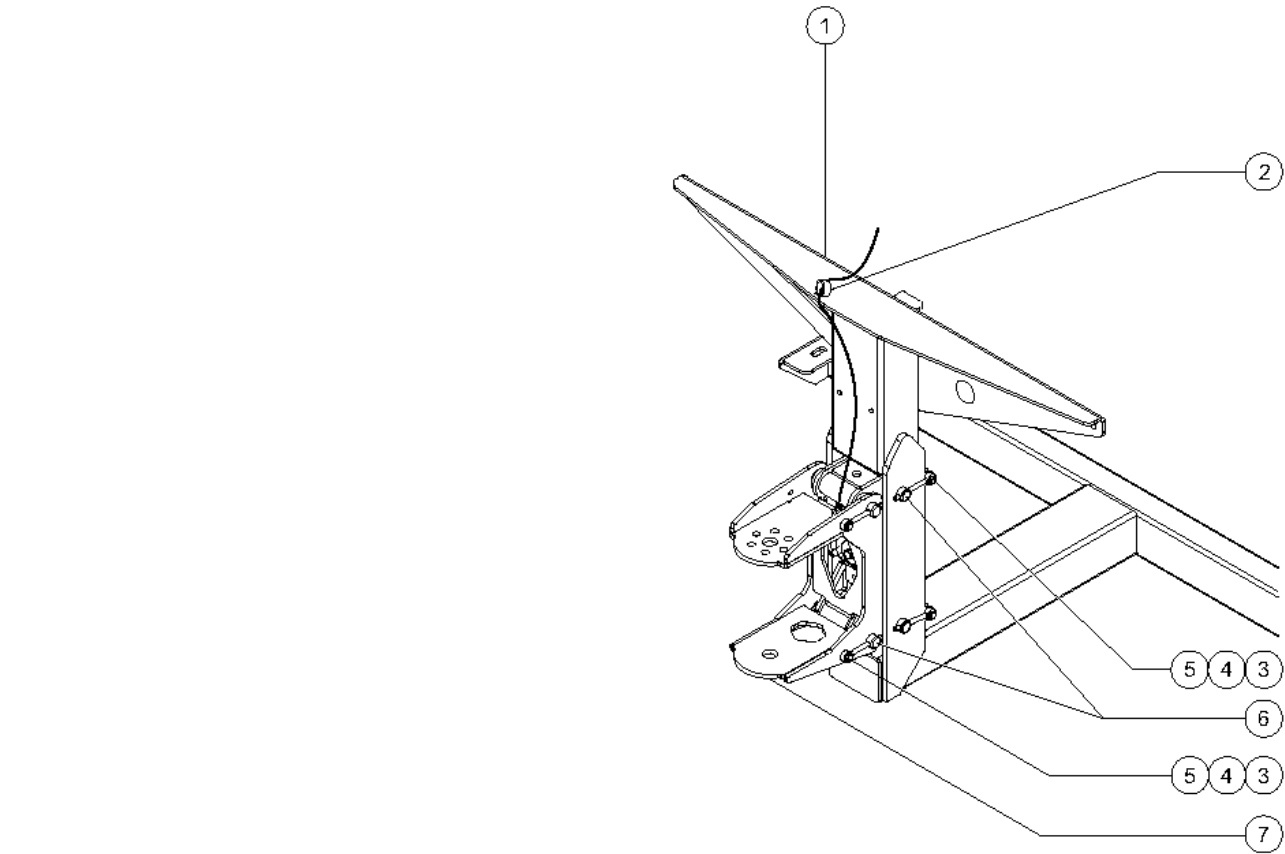




808.1 Panel Cradle Option

Item	Part No.	Description	Qty.
--	77683-S	OPTION, GLAZIER PACKAGE, ANSI <i>(ANSI models)</i>	
--	94493-S	KIT, PANEL CRADLE, CE <i>(CE models)</i>	
1	88377-1400	FOAM PAD.....	2
2	77664	ADJUSTABLE STRAP ASSY.....	1
3	7713	NUT, LP NYLOCK, 3/8-16	
4	5397	WASHER, FLAT, USS, 5/16", Y	
5		<i>77576P is no longer available. Must install 2 each (two) of service kit 233992 (ANSI) or 233993 (CE) for initial replacement</i>	
6		<i>89724 is no longer available. Must install 2 each (two) of service kit 233992 (ANSI) or 233993 (CE) for initial replacement.</i>	
--	233992	KIT, PANEL CRADLE BRACKET, WORD..... <i>(ANSI models)</i>	1
--	233993	KIT, PANEL CRADLE BRACKET, SYMBL..... <i>(CE models)</i>	1
7	56934	PAD, REST, 1" THICK, FLANGED.....	4
8	122755	UBOLT, FLATTENED, 1.5DIAX3/8 UNC.....	2
9	73463-1175	TUBE, RD, ALUM 1.25 X .083.....	2
10	8914	SCREW, HHC, 1/4-20 X .625	
11	6638	WASHER, FLAT, USS, 1/4" Y	
12	6889	NUT, LP NYLOCK, 1/4-20	
13	56424	CLAMP, 1.25X.5 RUBBER-CUSHION	

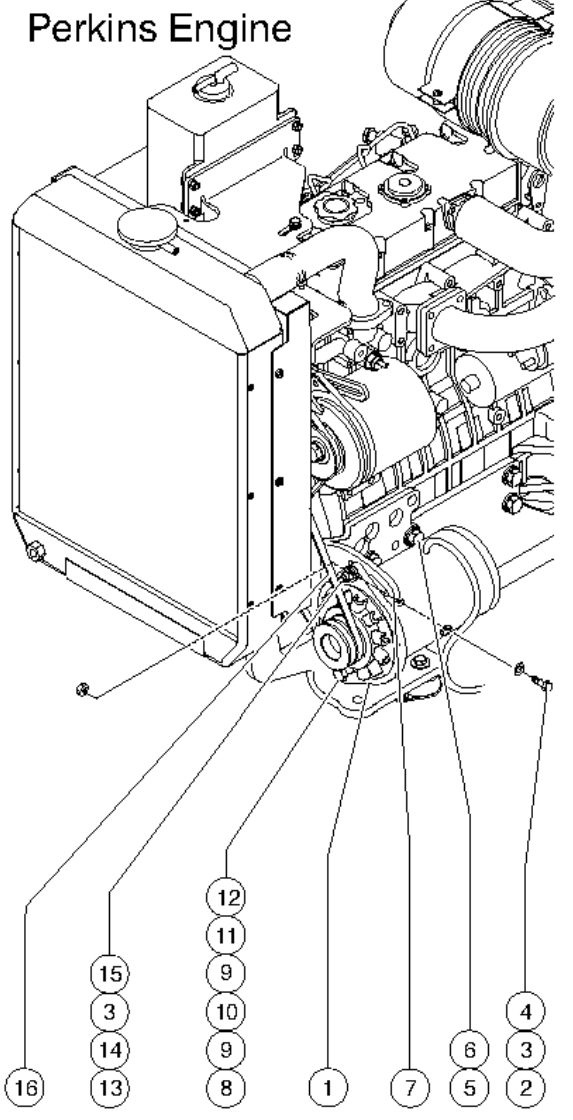
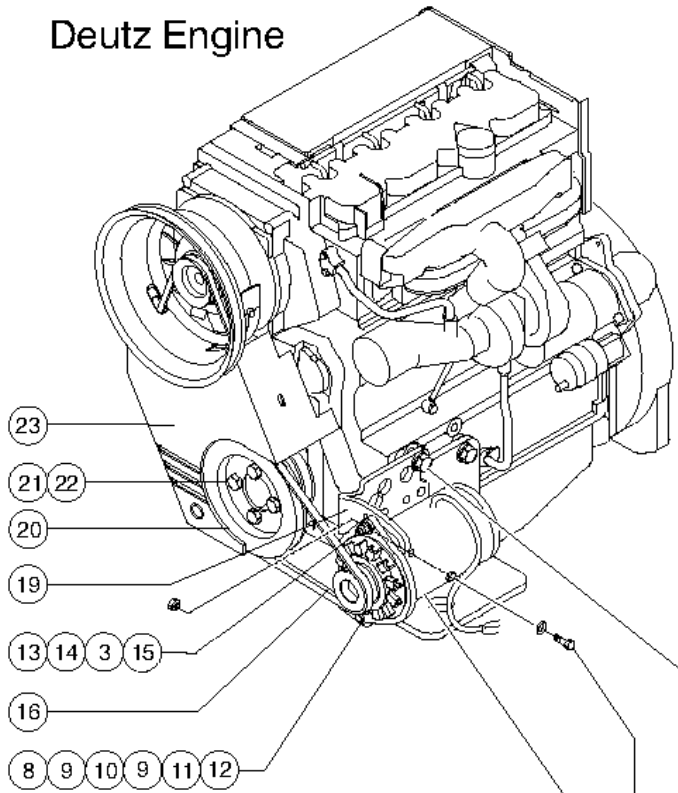
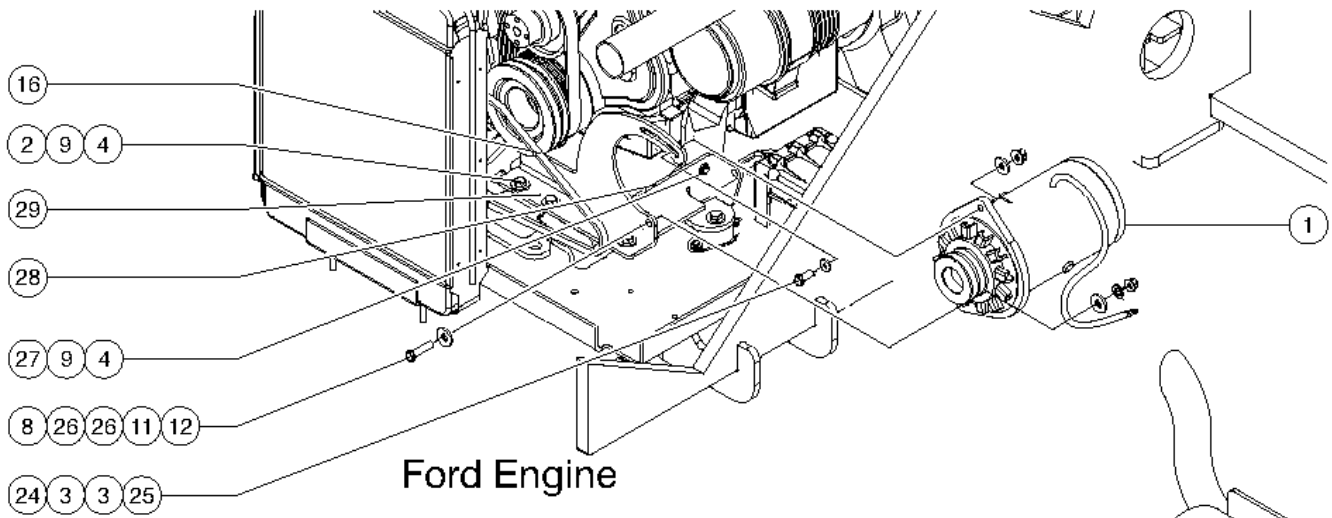
809.1 Platform Overload Option



## 809.1 Platform Overload Option

Item	Part No.	Description	Qty.
--	101805	KIT,LOADSENSE,UPGRD,S80/85 <i>from SN 3263 to SN 3576</i>	
--	128045	MODULE,LOAD SENSE 2007 <i>(included in kit p/n 101805)</i>	
1	61997	WELDMENT,PLATFORM SUPPORT,CE.....1 <i>European Models</i>	1
2	6833	CLAMP,0.50,#8 X 1/4,RUB CUSH....1	1
--	6090	SCREW,HHC,1/4-20 X .75	
--	6091	NUT,NYLOCK,1/4-20	
3	6888	SCREW,HHC,1/4-20 X 1	
4	45748	ROD END,.250 X 2.75 LG.....4	4
5	6091	NUT,NYLOCK,1/4-20	
6	61726	PIN,0.75DIAX5.75LG,CHAMFER....4	4
--	94643	ZERK,GREASE,5/16-24,STRAIT.....1	1
7	101845	ROTATOR MOUNT KIT.....1	1
8	25685	BEARING,GARLOCK,12FDU12.....8	8
9	49817	SCREW,PHILLIPS,PHM,10-32 X1.25	
10	6146	WASHER,FLAT,MS,#10,Y	
11	4828	NUT,NYLOCK,3/8-16	
12	6097	WASHER,FLAT,USS,3/8",Y	
13	61975	RETAINER,SPRING,1.21 X .375.....1	1
14	61974	SPRING,COMP,1" OD,232 LB/IN....1	1
15	89755	LOAD SUPPORT W/BEARINGS.....2 <i>includes item 8</i>	2
--	110789	WASHER,SHIM .0151 THK.	
16	94549	SWITCH,LOAD LIMIT.....1	1
17	61972	MOUNT,SWITCH.....1	1
18	34619	BUMPER,RUBBER*** .....2	2
19	80605	WASHER,FLAT,3/8X1.5X.06	
20	21604	SCREW,HHC,3/8-16 X 3.25	

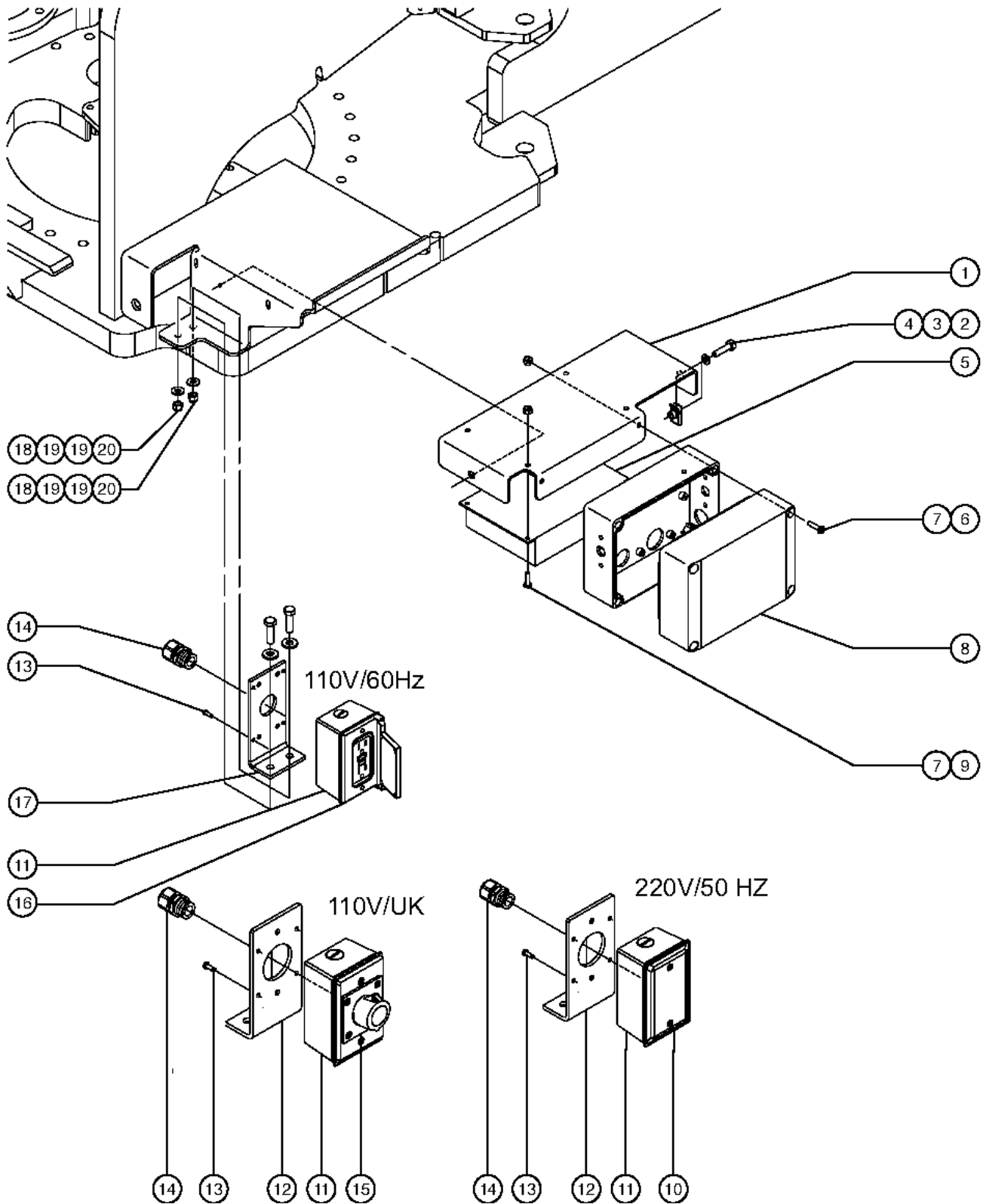
810.1 Belt-driven Generator Option - View 1



810.1 Belt-driven Generator Option - View 1

Item	Part No.	Description	Qty.	Item	Part No.	Description	Qty.
--	88374	PULLEY,PERKINS <i>Perkins models; to SN 3737</i>		--	75053	BELT,AX38*** <i>Deutz models; to SN 3772</i>	
--	102346	PULLEY KIT,PERKINS 804 <i>Perkins models; from SN 3738</i>		--	81891	BELT,AX30 <i>GM models; to SN 3144</i>	
--	70484	PULLEY,GENERATOR,FORD <i>Ford models</i>		--	94600	BELT, (NAPA 9360) <i>Perkins models; from SN 3738 to SN 3931</i>	
--	88352	PULLEY,GM <i>GM models</i>		17	22558	SCREW,HHC,M14 X 40MM,GR 8.8	
--	58312	BOLT,PULLEY,GM <i>GM models</i>		18	49411	WASHER,FLAT,M14	
--	81866	BRACKET, GENERATOR MOUNT <i>GM models</i>		19	89894P	BRACKET,GENERATOR-DEUTZ.....1 <i>to SN 3772</i>	
--	81867P	FORMING,GEN.TENSIONING PAINTED <i>GM models</i>		--	119533	FORMING,GENERATOR MOUNT*** <i>from SN 5491</i>	
1	89908	GENERATOR,3000W,220V,50HZ***.1		--	119578	BELT GEN BRKT UPGRADE KIT <i>from SN 3773 to SN 5490</i>	
--	60707	GENERATOR,3500W,120V,60HZ**		--	81466	BRACKET,GENERATOR MOUNT <i>to SN 3772</i>	
2	8516	SCREW,HHC,3/8-16 X 1.50,GR5		20	70389	PULLEY,DEUTZ.....1	
3	5397	WASHER,FLAT,USS,5/16",Y		--	81069	SPACER,PULLEY,DEUTZ GEN	
4	4828	NUT,NYLOCK,3/8-16		21	22697	SCREW,HHC,M10 X 65MM,GR8.8.....4	
5	49381	SCREW,HHC,M12 X 30		22	22700	WASHER,LOCK,M10	
6	49410	WASHER,FLAT,M12		23	106740	COVER,REWORK,DEUTZ GENERATOR.....1 <i>to SN 3772</i>	
7	119533	FORMING,GENERATOR MOUNT*** <i>from SN 5491</i>		24	14723	SCREW,HHC,5/16-18 X 1.75	
7	88174P	FORMING,PERKIS GEN.BRKT.PAINT.....1 <i>to SN 3737</i>		25	6782	NUT,NYLOCK,5/16-18	
--	119578	BELT GEN BRKT UPGRADE KIT <i>from SN 3739 to SN 5490</i>		26	11209	WASHER,FLAT,USS,7/16",Y	
8	81852	SCREW,HHC,7/16-14 X 1.75		27	13918	SCREW,HHC,3/8-16 X 1.75,GRD.8.....2	
9	6097	WASHER,FLAT,USS,3/8",Y		28	70399P	FORMING,GENERATOR MOUNT PAINTD.....1	
10	45400	SPACER TUBE,.50 LG.....1		29	70398P	FORMING,GENERATOR MOUNT PAINTD.....1	
11	20912	WASHER,LOCK,,437,PLTD.					
12	6083	NUT,HEX,7/16-14					
13	4828	NUT,NYLOCK,3/8-16					
14	6021	WASHER,LOCK,,375					
15	60790	BOLT,CARRIAGE,3/8-16 X1.50,G5					
16	61113	BELT,AX35.....1 <i>Perkins models; to SN 3737</i>					
--	106535	BELT,AX33*** <i>Deutz models; from SN 3773</i>					
--	61114	BELT,AX36 <i>Perkins models; from SN 3932</i>					
--	61746	BELT,AX32 <i>GM models; from SN 3146</i>					

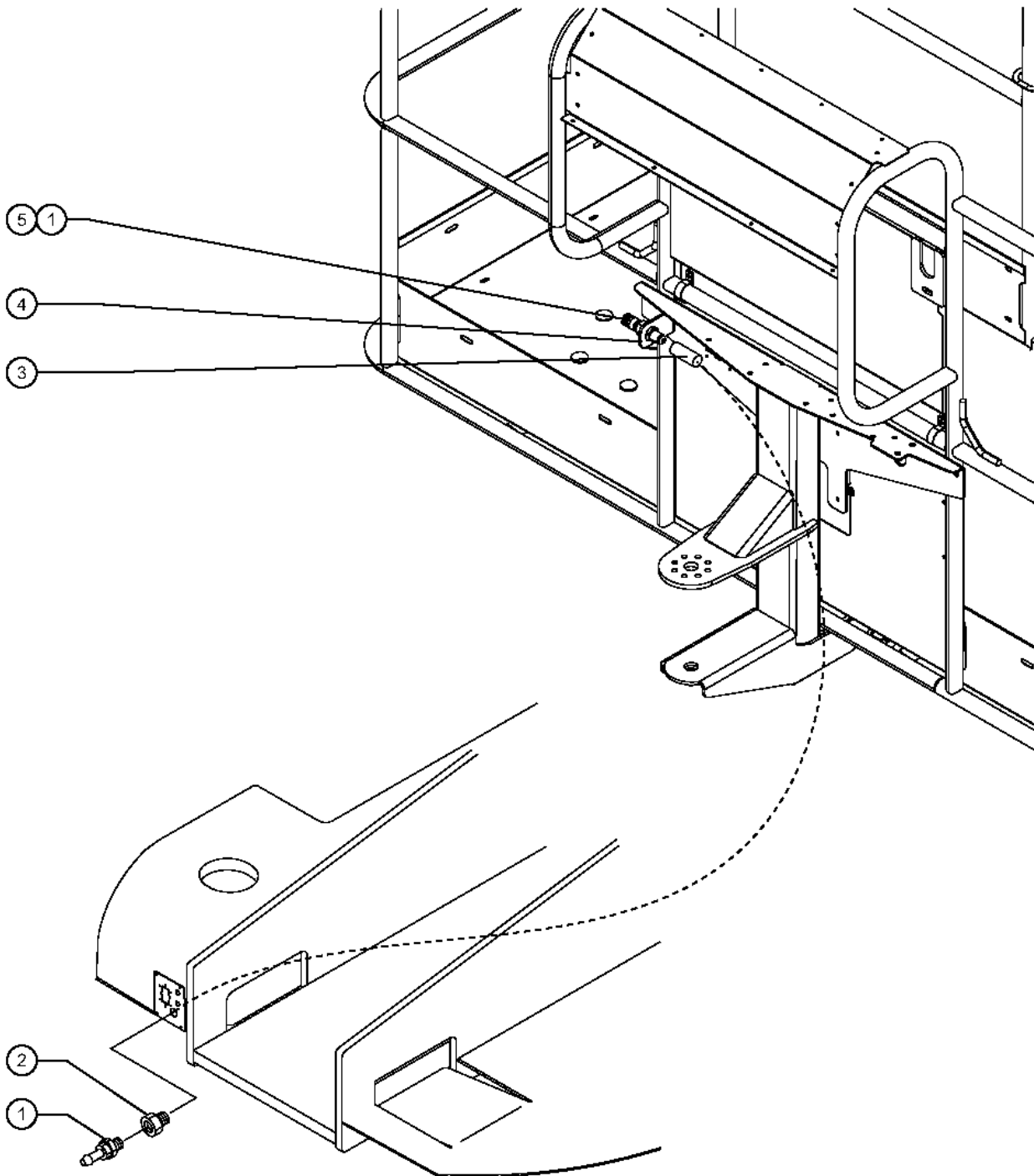
811.1 Belt-driven Generator Option - View 2



## 811.1 Belt-driven Generator Option - View 2

Item	Part No.	Description	Qty.
1	81850P	FORMING,REGULATOR MOUNT PAINTD.....	1
2	6888	SCREW,HHC,1/4-20 X 1	
3	6356	WASHER,LOCK,.25	
4	56912	SPRING CLIP,1/4-20,.025-.15X.5	
5	60739	VOLTAGE REGULATOR,220V	
--	60738	VOLTAGE REGULATOR,110V	
6	49816	SCREW,PHILLIPS,PHM,10-32 X .75	
7	6178	NUT,NYLOCK,10-32	
8	81559	HARNES,GENERATOR W/REG.220V.....	1
		<i>(harness, for BD generator)</i>	
--	60891	ENCLOSURE,GENERATOR BOX	
--	81558	HARNES,GENERATOR W/REGULATOR <i>(harness, for BD generator)</i>	
9	49826	SCREW,PHILLIPS,PHM,10-32 X.625	
10	10777	COVER,BLANK.....	1
--	33724	KIT,GASKET,UK POWER TO PLAT.	
--	81458	GASKET, UK POWER TO PLAT	
11	10775	T-BOX,2.75 X 4.5 X 2.0.....	1
12	81570	BRACKET,POWER TO PLAT, UK	
13	57075	SCREW,PHIL,8-32X.50,SELF TAP	
14	7056	CONN,SQUEEZE, 1/2NPT .38-.50,SM.....	2
--	6935	LOCKNUT,ELEC,1/2"	
15	T112563	SVC KIT,UK RECEPT.REPLACEMENT	
--	33724	KIT,GASKET,UK POWER TO PLAT.	
--	81458	GASKET, UK POWER TO PLAT	
--	96236	PLATE,AC ADAPTER,DIN/UK***	
16	74006	COVER,GFCI,HORIZONTAL,WEATHER.1	
--	13585	OUTLET,110V GFCI*** <i>North American models</i>	
17	81096	BRACKET,POWER TO PLAT, DOM.	
18	4828	NUT,NYLOCK,3/8-16	
19	6097	WASHER,FLAT,USS,3/8",Y	
20	8516	SCREW,HHC,3/8-16 X 1.50,GR5	

812.1 Air Line to Platform

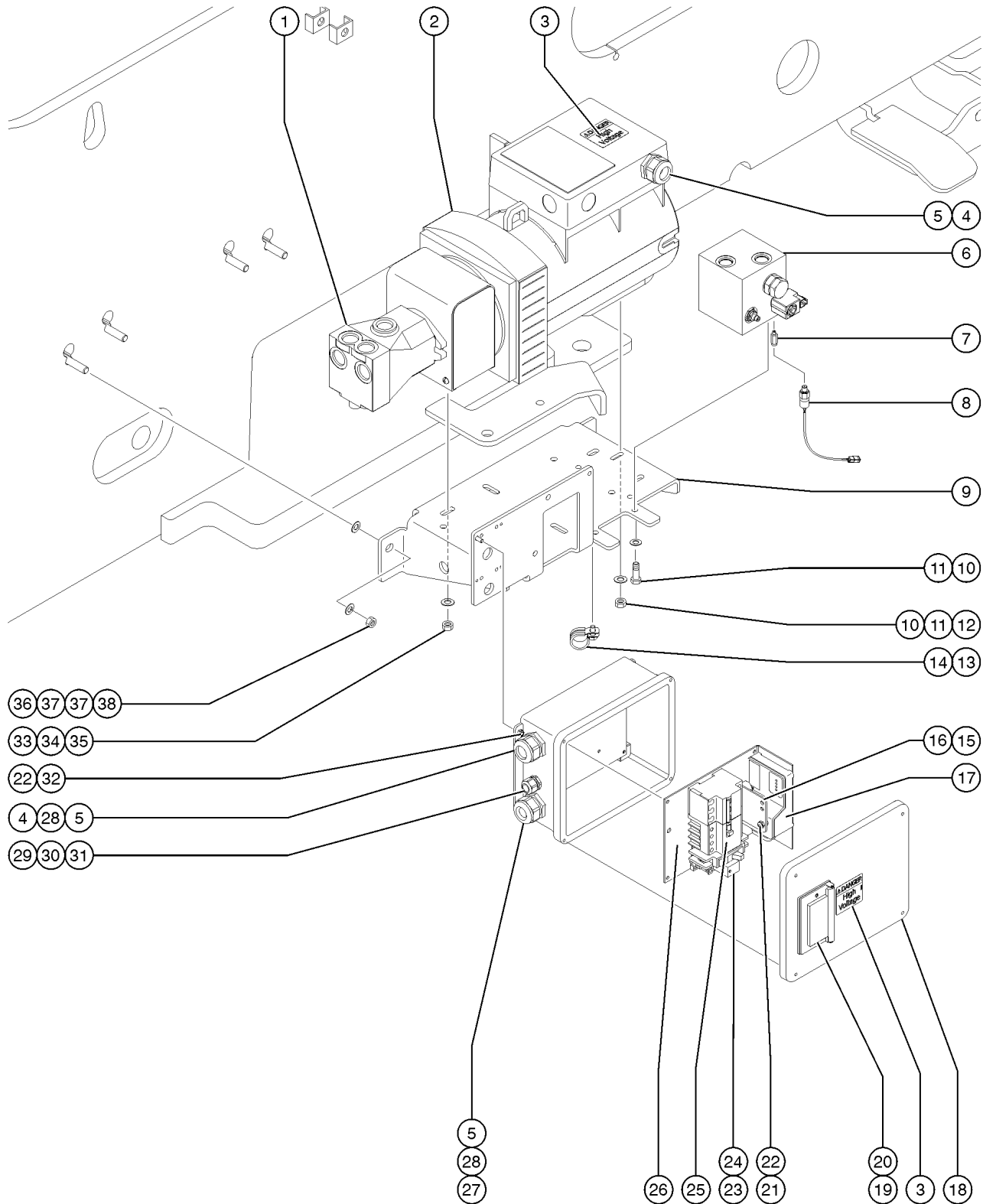




812.1 Air Line to Platform

Item	Part No.	Description	Qty.
--	34106-S	AIR TO PLATFORM,1/2"ID	
--	44981	DECAL,LABEL,AIRLINE 110 PSI	
1	49214	MALE PIPE THD,1/4" SER,3/8"X18	
2	49212	FEMALE BULKHEAD CONNECTOR-8	
3	49177-119794	HOSE ASSEMBLY,1/2".....	1
4	60886P	BRACKET,AIRLINE TO PLATFORM.....	1
5	49215	MPT,CPLR,1/4"SER,3/8"X18	

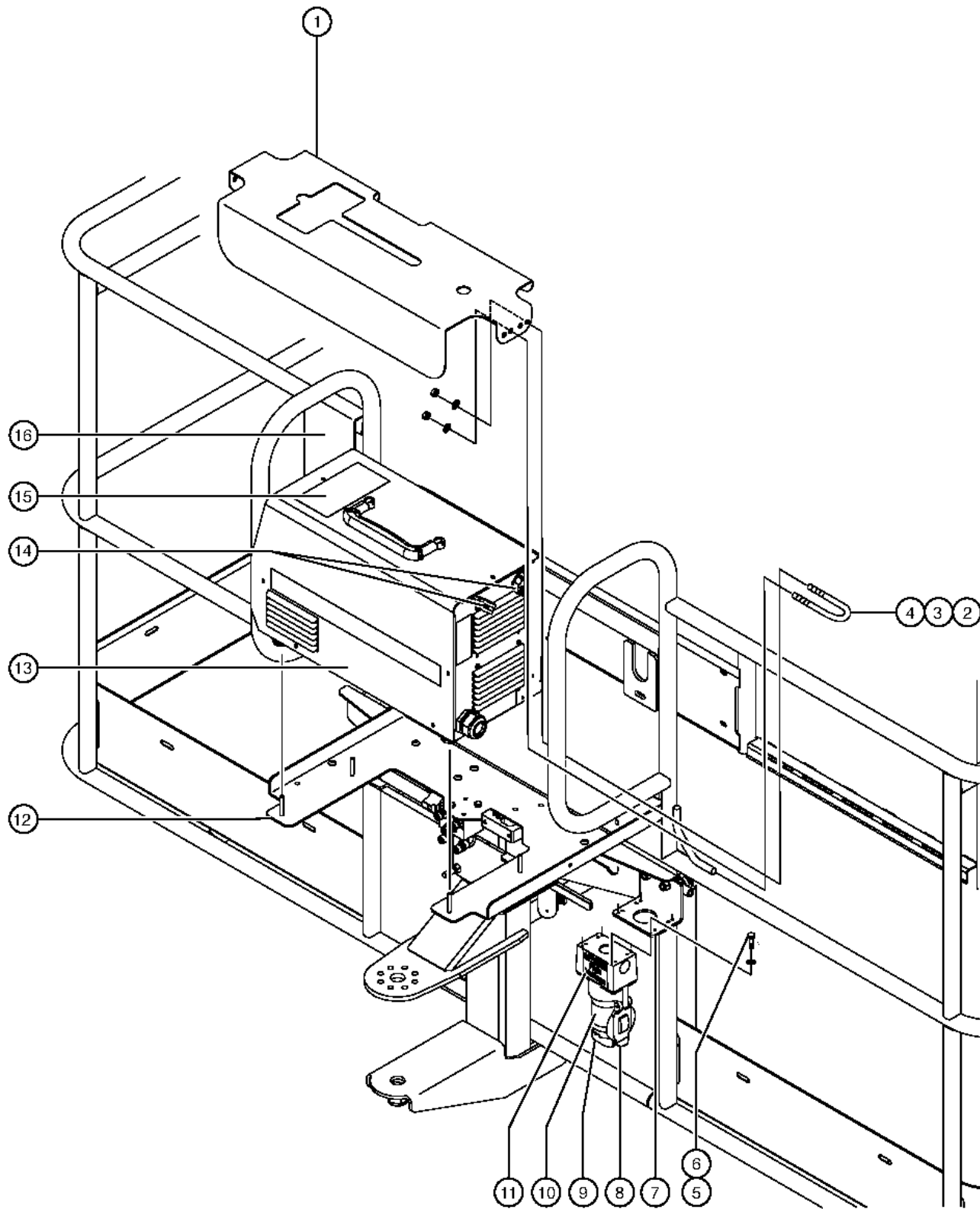
813.1 Welder Option, Chassis Components - View 1



813.1 Welder Option, Chassis Components - View 1

Item	Part No.	Description	Qty.	Item	Part No.	Description	Qty.
--	106115	WIRE CABLE 8 GA/4 CON.SO		14	10107	SCREW,HHC,5/16-18 X .75	
--	226504	HARNESS, HYD GENERATOR		15	106140	BRACKET,1K OHM 10-TURN POT.....1	
--	226503	HARNESS, WELD GEN ENCLOSURE		16	102357	RESISTOR ASSY, LINCOLN WELDER.....1	
--	110220	DECAL,WARNING,WELDER SAFETY		17	106658	MODULE,SX CONTROLLER,LOW AMP.....1	
--	110344	BRUSH BOX,ASSY,GEN		18	229346	ASSY,ENCLOSURE,WELDER GEN.....1	
--		Ref. Oil Cooler (refer to 817.1)				<i>includes items 15-31</i>	
1	106184	MOTOR,HYD 12.5KW GEN,21CC***.....1		19	74006	COVER,GFCI,HORIZONTAL,WEATHER.1 <i>includes mounting hardware</i>	
--	162006	SEAL KIT,HYD MOTOR(106184)		20	13585	OUTLET,110V GFCI***.....1	
2	106113	GENERATOR,HYDRO-12KEP-21-3***.1 <i>includes item 1</i>		21	6889	NUT,LP NYLOCK,1/4-20	
--	106274	GENERATOR,12.5 KW,W/O MOTOR***		22	36294	SCREW,HHC,1/4-20 X 2.75	
--	122300	COVER,WELDER GENERATOR		23	33607	RELAY,OMRON,DPDT,12V.....1	
--	T113655	COUPLING, 28MM (106113)		24	33608	RELAY,SOCKET,OMRON.....1	
--	T114022	SPIDER (106113)		25	106477	GFI/CIRCUIT BREAKER ASSEMBLY.....1	
--	T114023	COUPLING (106113)		--	106374	CIRCUIT BREAKER,50A,3P	
3	82237	DECAL,DANGER,HIGH VOLTAGE.....2		--	106375	GFCI,50A, 3PH	
4	20776	CABLE SQUEEZE CONN.....1		26	102314	PANEL, ENCLOSURE, LINCO WELDER.....1	
5	18665	LOCKNUT,ELECTRIC,1" NPT.....3		27	20776	CABLE SQUEEZE CONN.....1	
6	101516	MANIFOLD,DRIVE OIL DIVERter***.....1		28	106104	O-RING,SEAL RING,1" NPT.....2	
--	102746	VALVE,PILOT OPER DIRECTIONAL**		29	7056	CONN,SQUEEZE,1/2NPT .38-.50,SM.....1	
--	106394	ORIFICE DISC,.030,CONE		30	6935	LOCKNUT,ELEC,1/2".....1	
--	122302	RELIEF,VALVE 270 PSI		31	56237	O-RING,ORFS,-12.....1	
--	128416	SEAL KIT		32	6090	SCREW,HHC,1/4-20 X .75	
--	94757	VALVE,CHECK,3 PSI***		33	4828	NUT,NYLOCK,3/8-16	
--	94759	NUT,SOLENOID		34	6097	WASHER,FLAT,USS,3/8",Y	
--	94760	VALVE-SOLENOID,10V,W/OUT COIL*		35	8516	SCREW,HHC,3/8-16 X 1.50,GR5	
--	94765	COIL-10V DC***		36	6198	NUT,NYLOCK,1/2-13	
7	146285	CONN, SAE#4-1/4" NPT		37	13066	WASHER,FLAT,.5 HARDENED.....4	
8	146284	SWITCH,PRESS,#4NPT,200PSIF		38	39479	SCREW,HHC,1/2-13 X 2.75	
9	102276P	BRACKET,GENERATOR 12KW,PTD.....1					
10	13002	SCREW,HHC,5/16-18 X 1 GR5					
11	5397	WASHER,FLAT,USS,5/16",Y					
12	6782	NUT,NYLOCK,5/16-18					
13	49863	CLAMP,1.13,#18 X 3/8,RUB CUSH*.....1					

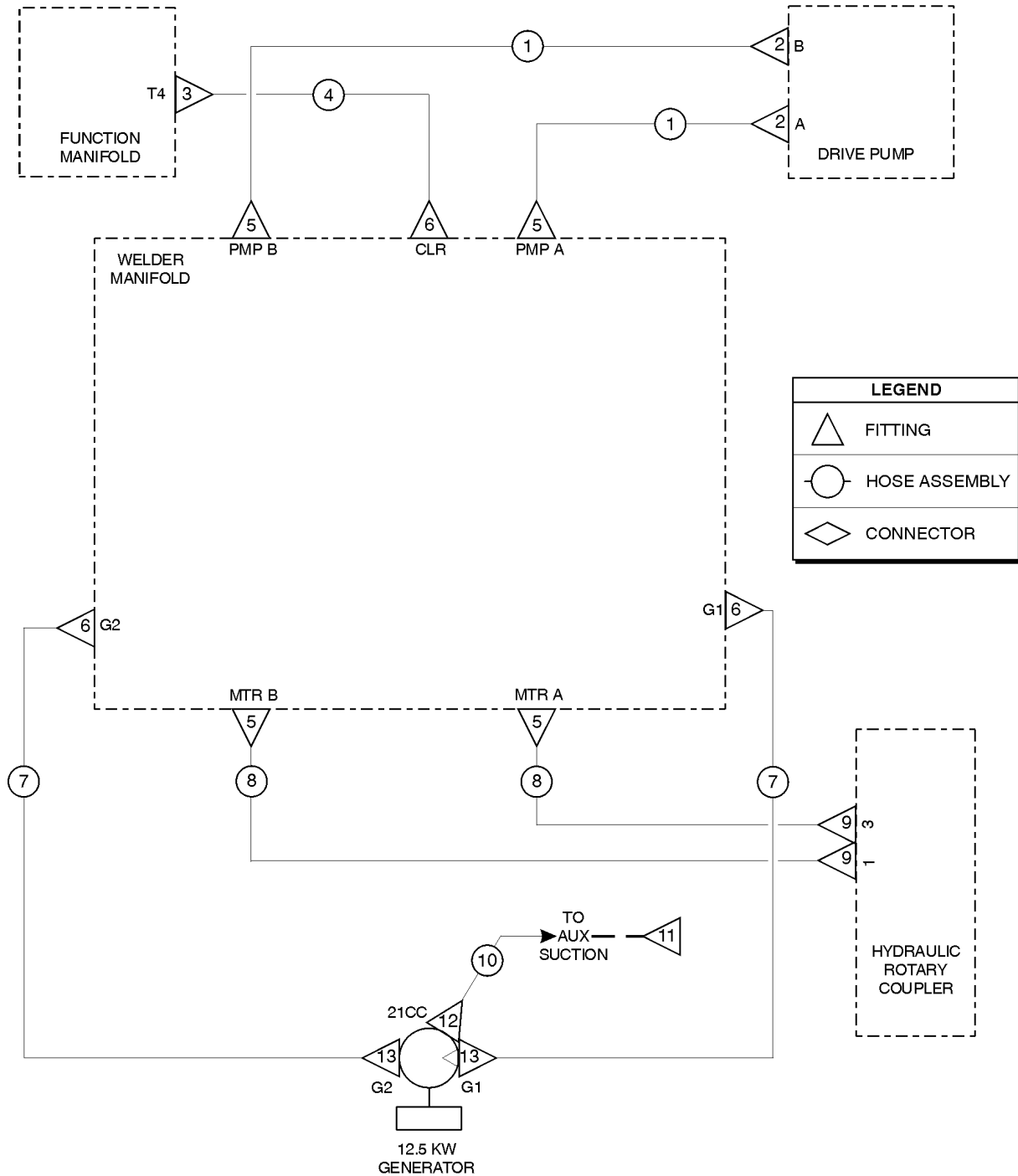
814.1 Welder Option, Platform Components - View 2



814.1 Welder Option, Platform Components - View 2

Item	Part No.	Description	Qty.	Item	Part No.	Description	Qty.
--	110220	DECAL,WARNING,WELDER SAFETY		--	106183	FUSE,,6AMP,250V,WELDER,V275S	
--	110276-1500	FIRE SLEEVE, 1.25"		--	106275	KIT,WELD LEADS ASSY,V275S <i>includes both cables</i>	
--	110276-2500	FIRE SLEEVE, 1.25".....	2	--	5397	WASHER,FLAT,USS,5/16",Y	
--	110276-2800	FIRE SLEEVE, 1.25"		--	6782	NUT,NYLOCK,5/16-18	
--	110276-3000	FIRE SLEEVE, 1.25".....	2	14	18666	CLAMP,1.00,#16 X 1/4,RUB CUSH.....	2
--	110276-3500	FIRE SLEEVE, 1.25"		15	110220	DECAL,WARNING,WELDER SAFETY.....	1
--	110276-5000	FIRE SLEEVE, 1.25"		16	106204	BRACKET,V275S WELD LEADS.....	1
--	133518	DECAL, PATCH, GEN,ALC-500					
--	229925	ADAPTER,WELDER,208-220					
--	28443	CABLE TIE,11.5" BLACK					
--	82862	DECAL,FIRE EXTINGUISHER					
--	88406	FIRE EXTINGUISHER					
--	97579	DECAL,DANGER,TIP-OVER,WELDER**					
1	101547P	BRACKET,WELDER SUPPORT,PNT.....	1				
2	5397	WASHER,FLAT,USS,5/16",Y					
3	4828	NUT,NYLOCK,3/8-16					
4	6550	U-BOLT,3/8 X 1 YZ.....	2				
5	47363	SCREW,RHM,8-32 X .50					
6	35461	WASHER,FLAT,MS,#8,Y					
7	101731P	BRACKET,POWER TO PLAT TBOX,PNT.....	1				
--	4828	NUT,NYLOCK,3/8-16					
--	5397	WASHER,FLAT,USS,5/16",Y					
--	6550	U-BOLT,3/8 X 1 YZ					
8	101732	COVER,WEATHERPROOF 3-PHASE.....	1				
9	106112	PLUG,4-WIRE,3-PHASE,50A.....	1				
10	106110	T-BOX,2.75X4.5X2.63,3PH.....	1				
--	106111	RECEPTCL,LOCK 3-PH,50A,4 WIRE					
11	82237	DECAL,DANGER,HIGH VOLTAGE.....	2				
12	102408P	BRACKET,LINCOLN WELDER,PNTD.....	1				
--	102409P	BRACKET,WELDER MNT SUPPORT,PNT					
--	106044	U-BOLT,3/8-16X4X4.63X3.00					
13	4828	NUT,NYLOCK,3/8-16					
--	101525	WELDER INVERTEC V275-S.....	1				
--	106043	SCREW,SECURITY,5/16-18X1.00					
--	106141	SCREW,SECURITY,1/4-20 X 1.75LG					

815.1 Welder Option, Hoses and Fittings - View 3

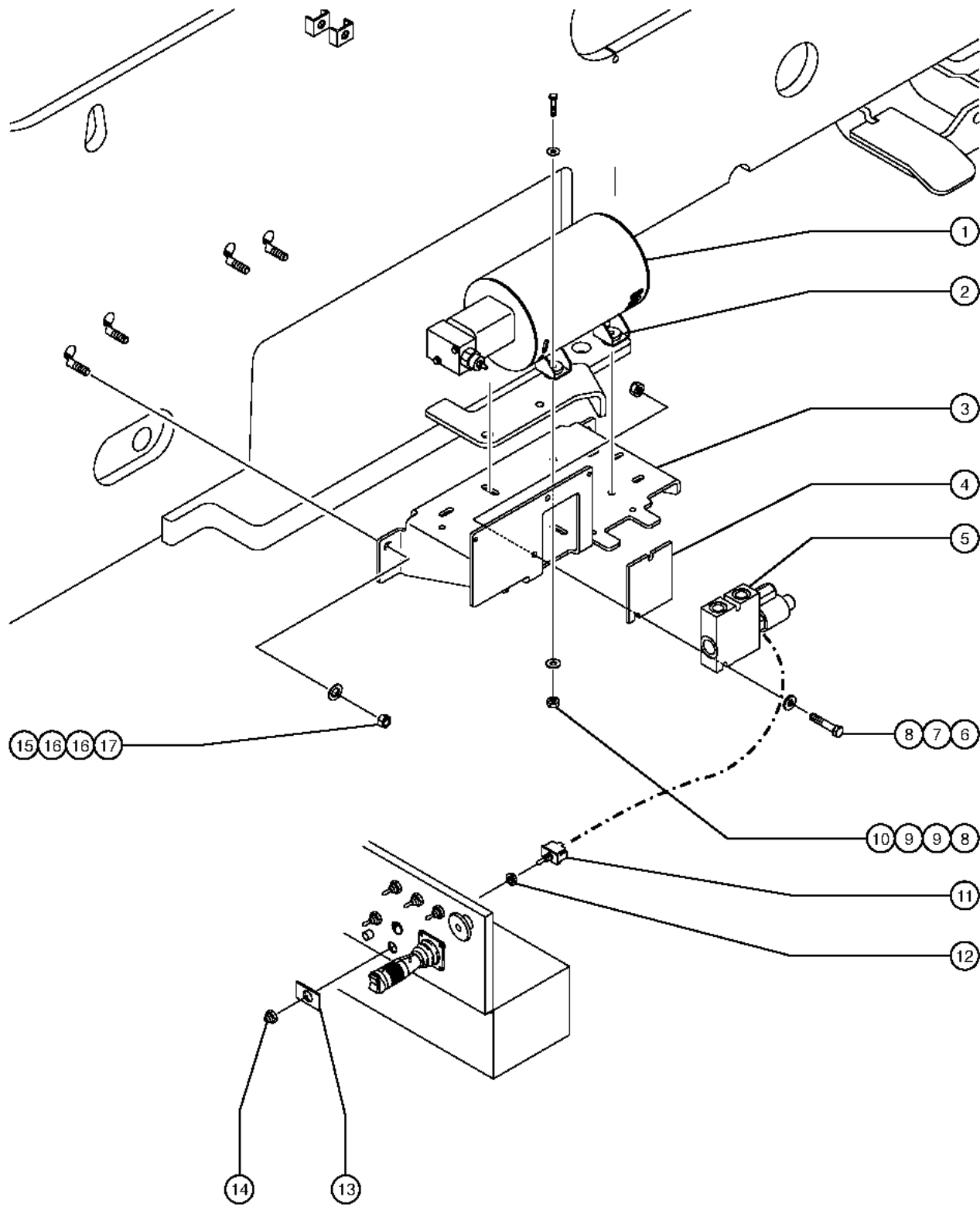


LEGEND	
	FITTING
	HOSE ASSEMBLY
	CONNECTOR

815.1 Welder Option, Hoses and Fittings - View 3

Item	Part No.	Description	Qty.
1	102313-3126	HOSE ASSY,3/4" HYD,45F,STRF.....	2
2	48978	ELBOW,45D,520320-12-16..... <i>to SN 3803</i>	2
--	48976	ELBOW,90D,520220-12-16 <i>from SN 3804</i>	
3	48961	TEE,RUN,520428-12.....	1
4	61070-8652	HOSE ASSY,1/2,90 FEM,STR FEM.....	1
5	48960	FITTING,CONN,520120-12.....	4
6	48933	CONN,520120-8*** .....	1
7	102312-2088	HOSE ASSEMBLY,3/4",-10-12 90F,.....	2
8	94374-3930	HOSE ASSY,3/4,90 FEM,STR FEM.....	2
9	48963	FITTING,ELBOW,45D,520320-12*** <i>to SN 3803</i>	2
--	48960	FITTING,CONN,520120-12 <i>from SN 3804</i>	
10	49164-4743	HOSE ASSY, 1/4",90 F,STR F.....	1
11	48908	FITTING,TEE,RUN,SWIVEL520432-4.	1
12	48948	CONN,520120-8-12.....	1
13	48958	CONN,520120-10-12.....	2

816.1 Hydraulic Generator Option, Continental TME-27 Engine





816.1 Hydraulic Generator Option, Continental TME-27 Engine

Item	Part No.	Description	Qty.	Item	Part No.	Description	Qty.
--	102746	VALVE,PILOT OPER DIRECTIONAL**		--	52000	BRUSH ASSEMBLY	
--	112119	DECAL OPTION,NIKKEN,GS68		--	52001	HYDRAULIC MOTOR 3000W GENER	
--	226503	HARNESS, WELD GEN ENCLOSURE		--	58402	BRIDGE,50A FULL WAVE**	
1A	36928	GENERATOR,2500W HYD.220/50HZ.....1		--	58944	BRUSH 3/8 X 1/4 X 15/16(36928)	
--	147836	SEAL, GASKET, .00075" *GOLD* for pump		--	58954	O-RING,SPACER #115*** for pump	
--	147837	SEAL, GASKET, .0005" *SILVER* for pump		--	65841	PRIORITY FLOW CONTROL VALVE	
--	147838	SEAL, GASKET, .0010" for pump		--	T111608	SEAL,RETAINING RING for pump	
--	32732	RECTIFIER ASSEMBLY		--	T111609	SEAL,SHAFT for pump	
--	32735	VALVE,PRI. FLOW REG 4.3		--	T111610	SPACER for pump	
--	32736	MOTOR,HYDRAULIC GENERATOR		--	T111611	BEARING,MOTOR for pump	
--	52085	BRUSH HOLDER ASSY, 2500W GENER		--	T111612	RETAINING RING for pump	
--	58402	BRIDGE,50A FULL WAVE**		--	T111613	SHAFT,MOTOR for pump	
--	58944	BRUSH 3/8 X 1/4 X 15/16(36928)		2	84080	ISOLATR KIT,RUBBR,2KW GENERATR.....4	
--	58954	O-RING,SPACER #115***		3	102276P	BRACKET,GENERATOR 12KW,PTD.....1	
--	89719	BRUSH ENDBELL ASSEMBLY (89719)		4	122100	SPACER,HYD GEN MANIFOLD.....1	
--	T111608	SEAL,RETAINING RING for pump		5	53976	MANIFOLD,GENERATOR.....1	
--	T111609	SEAL,SHAFT for pump		--	110198	SEAL KIT, VALVE, #12	
--	T111610	SPACER for pump		--	19969	VALVE,SOLENOID (18660)	
--	T111611	BEARING,MOTOR for pump		--	27535	COIL,12V.DO1 VALVE	
--	T111612	RETAINING RING for pump		--	31529	VALVE,RELIEF 2400 PSI	
--	T111613	SHAFT,MOTOR for pump		--	33568	NUT, CP521-1 VALVE	
1B	111381	GEN,HYD,3000W,110V,60HZ.....1		--	45782	DIODE,6 AMP,200 PIV,BULK	
--	111987	CONN,8 POS PLUG 120 AC/15A		--	45914	O-RING, DO1 VALVE	
--	147836	SEAL, GASKET, .00075" *GOLD* for pump		6	14033	SCREW,HHC,3/8-16 X 2.75	
--	147837	SEAL, GASKET, .0005" *SILVER* for pump		7	6097	WASHER,FLAT,USS,3/8",Y	
--	147838	SEAL, GASKET, .0010" for pump		8	4828	NUT,NYLOCK,3/8-16	
--	147839	ASSM, GEN. ONLY, 110V, 60HZ		9	5397	WASHER,FLAT,USS,5/16",Y	
--	32732	RECTIFIER ASSEMBLY		10	13918	SCREW,HHC,3/8-16 X 1.75,GRD.8.....4	
				11	128205	SWITCH TOGGLE ASSY DPDT 2P MNT.....1 includes mounting fasteners	
				12	54692	SPACER,NYLON,.718 X .526 X.219.....1	

---

**816.1 Hydraulic Generator Option, Continental TME-27 Engine**  
(continued)

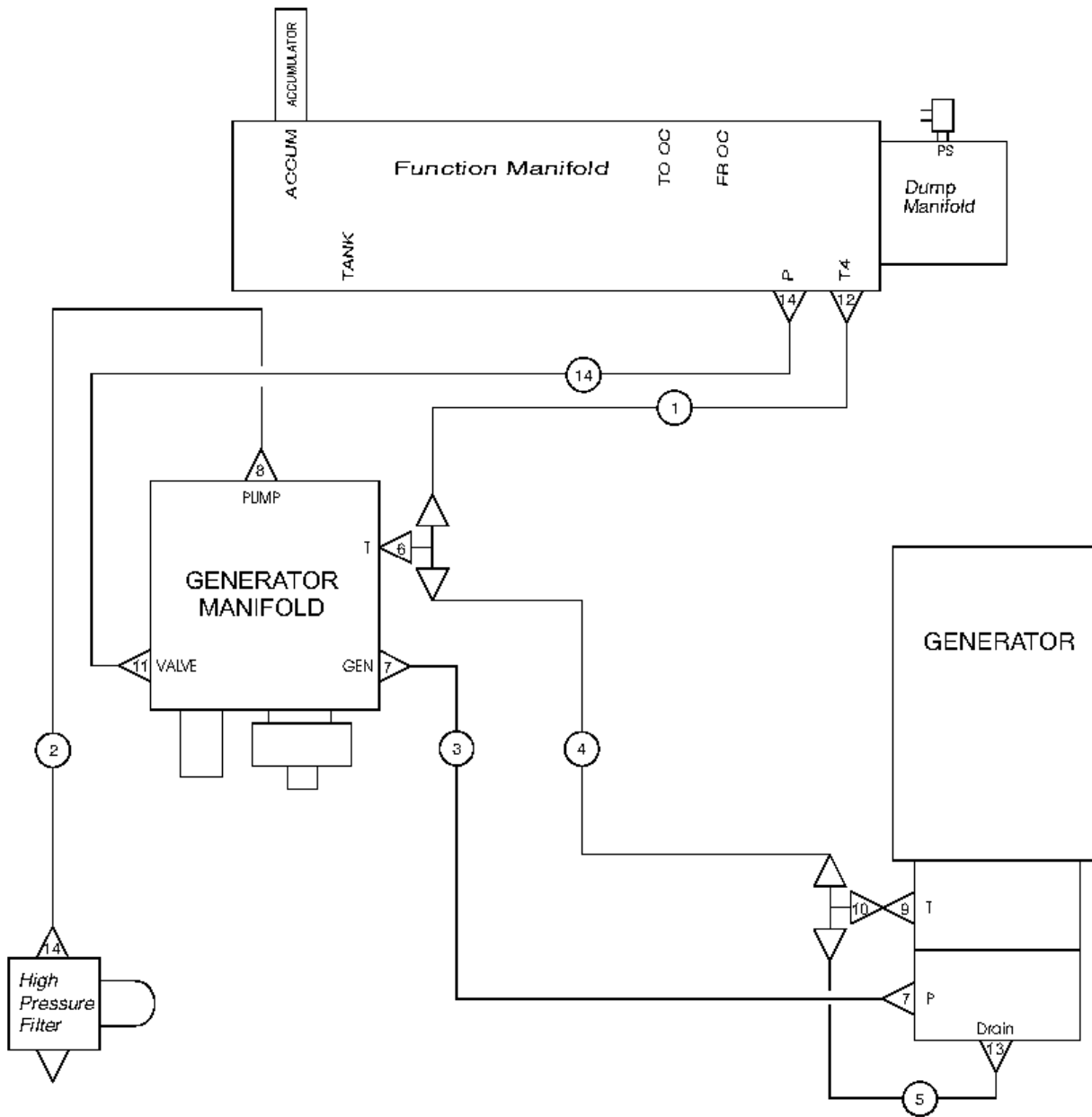
Item	Part No.	Description	Qty.
13	133518	DECAL, PATCH, GEN,ALC-500.....1	
14	27246	BOOT,TOGGLE SWITCH,SHORT*.....1	
15	6198	NUT,NYLOCK,1/2-13	
16	6095	WASHER,FLAT,USS,1/2",Y	
17	39479	SCREW,HHC,1/2-13 X 2.75	

---

816.1 Hydraulic Generator Option, Continental TME-27 Engine  
(continued)

***This Page Intentionally Left Blank***

817.1 Hydraulic Generator Option, Continental TME-27 Engine, Hoses and Fittings

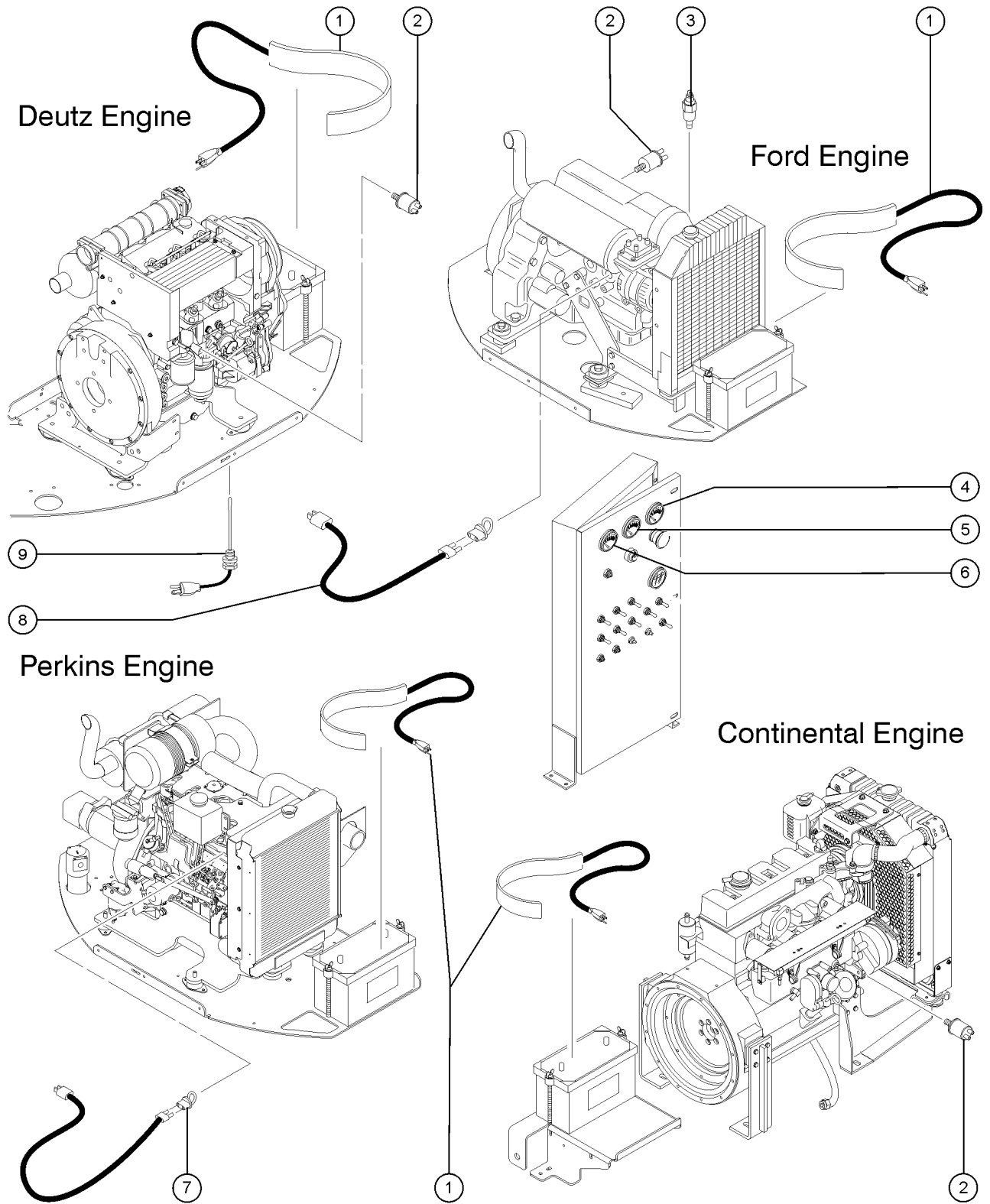


LEGEND	
	ADAPTER
	HOSE ASSEMBLY
	UNION

817.1 Hydraulic Generator Option, Continental TME-27 Engine, Hoses and Fittings

Item	Part No.	Description	Qty.
1	49143-10029	HOSE ASSY,1/2,90 FEM,STR FEM.....	1
2	94374-6430	HOSE ASSY,3/4,45 FEM,STR FEM.....	1
3	49143-2429	HOSE ASSY,1/2,90 FEM,STR FEM.....	1
4	49143-2729	HOSE ASSY,1/2,90 FEM,STR FEM.....	1
5	49164-1543	HOSE ASSY 1/4,90 DEG FEM,STR F.....	1
6	48936	TEE,BRANCH,520429-8.....	1
7	48932	FITTING,ELBOW,90D,520220-8***..	2
8	48959	FITTING,ELBOW,90D,520220-12...	1
9	48946	CONN,520120-8-10.....	1
10	48939	TEE,BRANCH,520433-8.....	1
11	48963	FITTING,ELBOW,45D,520320-12***.	1
12	48933	CONN,520120-8*** .....	1
13	48904	ELBOW,90D,520220-4-4.....	1
14		Ref. Hoses and Fittings (refer to 710.1)	

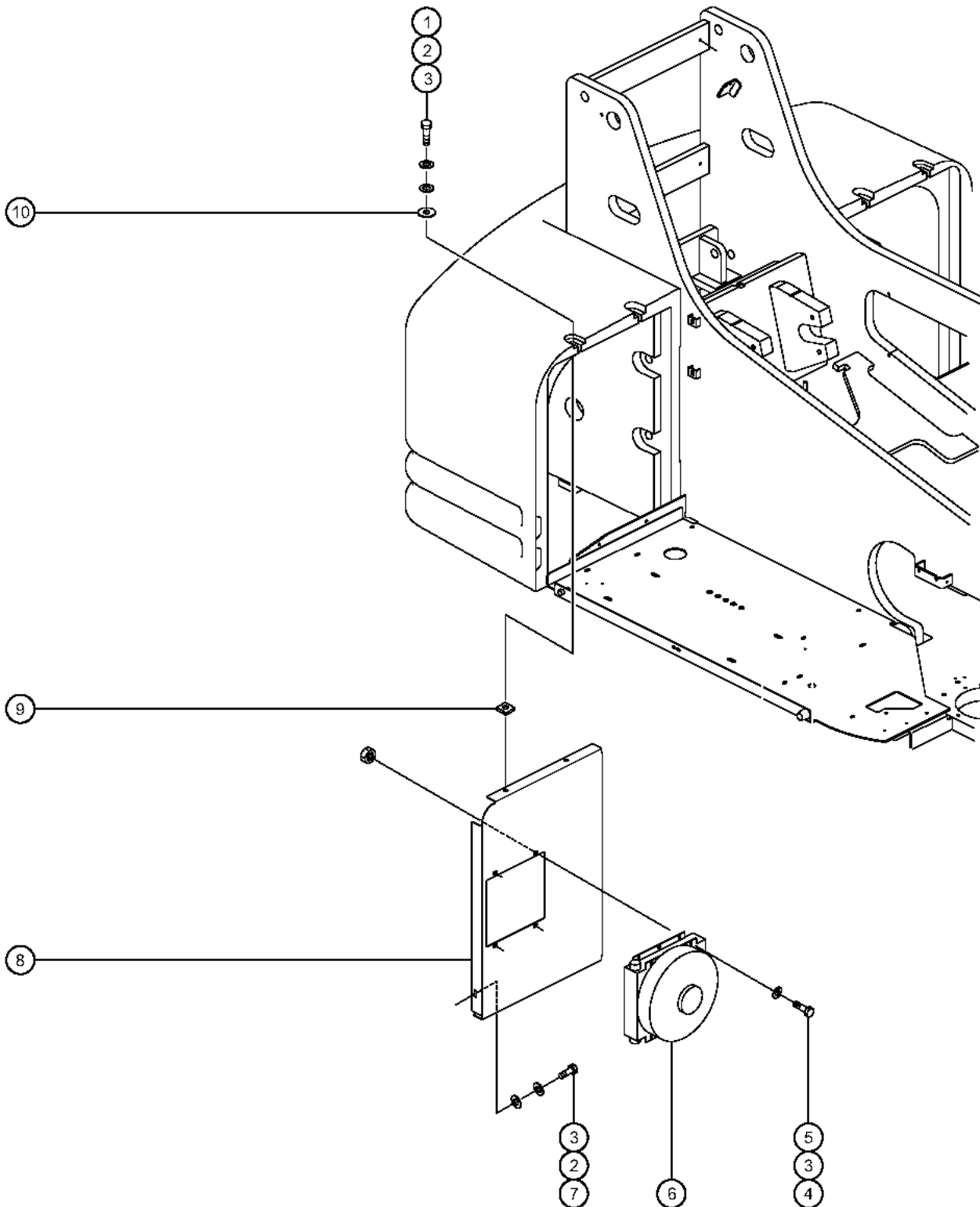
818.1 Cold Start Package and full Gauge Option



818.1 Cold Start Package and full Gauge Option

Item	Part No.	Description	Qty.	Item	Part No.	Description	Qty.
--	53156	COLD START,FORD, BIG BOOM <i>Ford models</i>		--	53760-S	GAUGE,OIL TEMP <i>includes mounting bracket and fasteners, Deutz models</i>	
--	88070	COLD START,PERKINS <i>Perkins models, to SN 3737</i>		7	101632	FREEZE PLUG HEATER,PERKINS 804.....1 <i>Perkins models</i>	1
--	122547	COLD START PKG,110V,PERKINS <i>Perkins models, from SN 3738</i>		8	35610	HEATER,FREEZE PLUG,FORD LRG423 <i>Ford models</i>	
--	53159-S	COLD START PKG,DEUTZ,BIG BOOM <i>Deutz models, to SN 3772</i>		9	128274	OIL PAN HEATER,DEUTZ,120V,150W.....1	1
--	122548	COLD START PKG,110V,DEUTZ <i>Deutz models, from SN 3773</i>					
--	122549	COLD START PKG,CONTINENTAL <i>Continental models, includes item 1</i>					
--	89404-S	OPTION,FULL GAUGE,FORD <i>Ford models, includes items 2-6, from SN 3832</i>					
--	89406-S	OPTION,FULL GAUGE,PERKINS <i>Perkins models, includes items 4-6, from SN 3738</i>					
--	102324-S	OPTION,GAUGE,DEUTZ F3L 2011 <i>Deutz models, includes items 2, 4-6, from SN 3773</i>					
--	122089	OPTION,FULL GAUGE,CONTINENTAL <i>Continental models, includes items 2-6</i>					
1	28853	BLANKET,BATTERY <i>to SN 5380</i>					
1	61245	BLANKET,BATTERY.....3	3				
2	30810	SENDING UNIT,OIL PRESSURE***.....1 <i>dual-terminal sender</i>	1				
--	37033	SENDING UNIT,OIL PRESS.,DEUTZ* <i>Deutz models; single-terminal sender; from SN 3082 to 3772</i>					
3	34058	SENDING UNIT,TMP,FRD,GM,PRK704.....1	1				
4	53761-S	GAUGE,VOLTAGE.....1 <i>includes mounting bracket and fasteners</i>	1				
5	53758-S	GAUGE,OIL PRESSURE W/O SENDER.....1 <i>includes mounting bracket and fasteners</i>	1				
6	53759-S	GAUGE,WATER TEMP <i>includes mounting bracket and fasteners, Ford and Perkins models</i>					

819.1 Hydraulic Oil Cooler Option

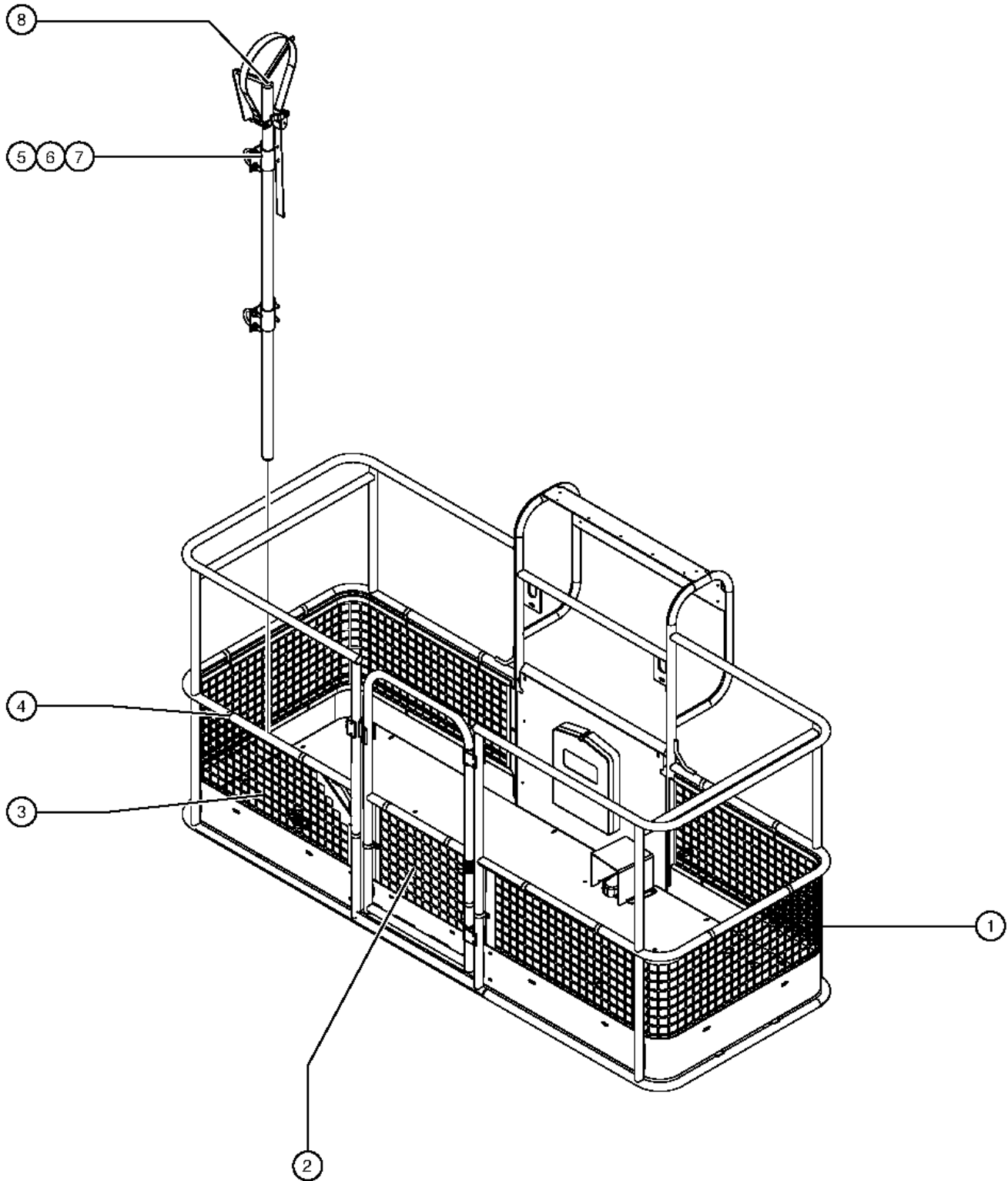




819.1 Hydraulic Oil Cooler Option

Item	Part No.	Description	Qty.
--	77871-S	OPTION,OIL COOLER	
1	6708	SCREW,HHC,3/8-16 X 2.25	
2	6021	WASHER,LOCK,.,375	
3	5397	WASHER,FLAT,USS,5/16",Y	
4	8255	SCREW,HHC,3/8-16 X .75	
5	4828	NUT,NYLOCK,3/8-16	
6	71259	OIL COOLER W/FAN, 12VDC.....1	
--	75854	FAN - VENTED	
--	75855	THERMOSTAT -OIL COOLER (71259)	
7	6175	SCREW,HHC,3/8-16 X 1	
8	81553P	BAFFLE,TANK SIDE.....1	
9	29868	SPRING CLIP,3/8-16.....4	
10	6095	WASHER,FLAT,USS,1/2",Y	

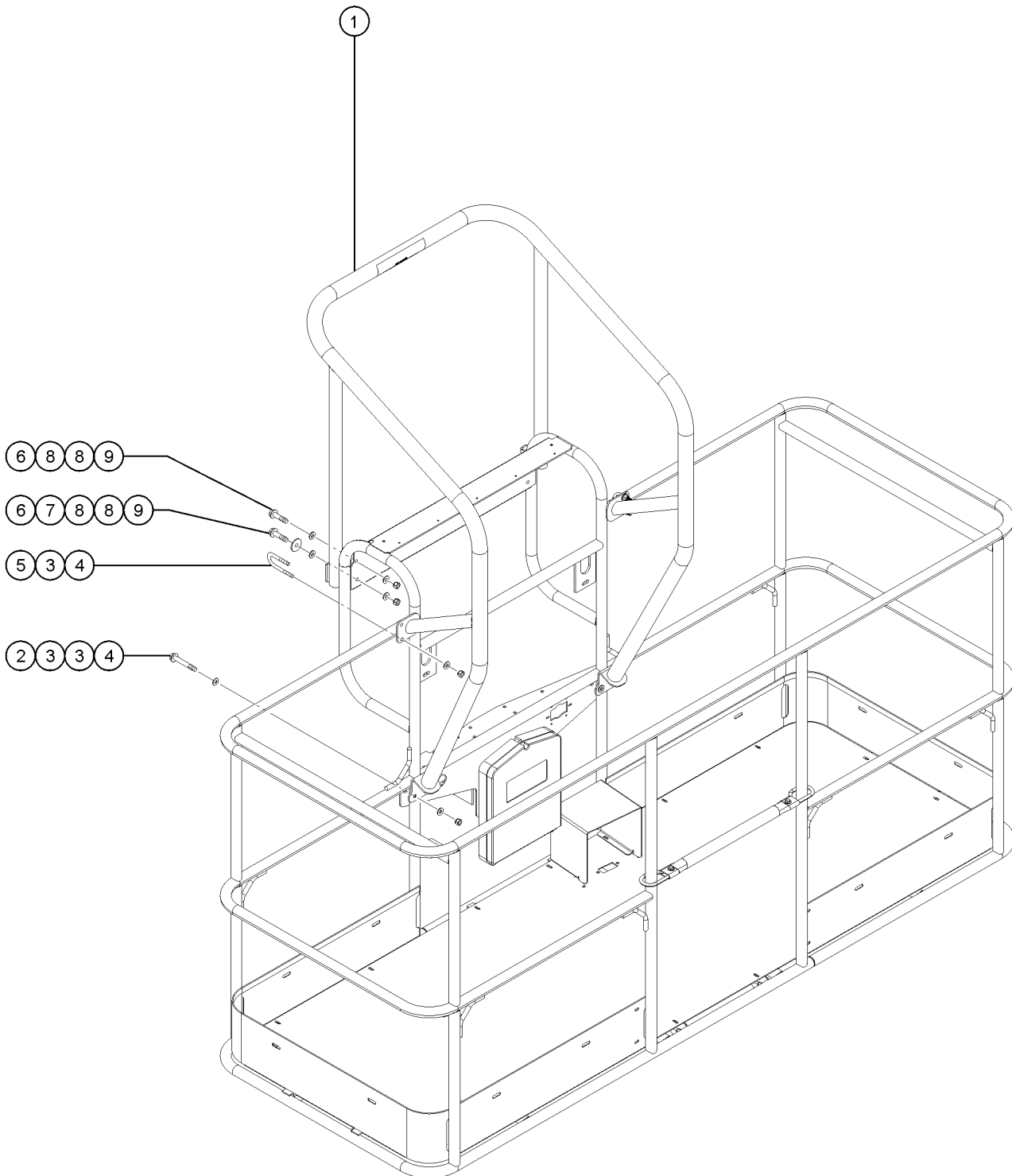
820.1 Hall-Mesh and Pipe Cradle Option



820.1 Hall-Mesh and Pipe Cradle Option

Item	Part No.	Description	Qty.
--	119397	OPTION,6' HALF MESH PLAT/GATE	
--	119398	OPTION,8' HALF MESH PLAT/GATE	
--	72875	DECAL,WARNING,PIPE CRADLE,BOOM	
--	85300	PIPE CRADLE ASSY. SERV (ONE)**	
--		Ref. Swing Gate Option, Complete (refer to 802.1)	
1	73500	HALF MESH,8'PLATFORM,RH***.....1	
--	54465	MESH,HALF,RH,6'PLATFORM	
2	54457	MESH,HALF,SWING GATE***	
3	73501	HALF MESH,8'PLATFORM,LH.....1	
--	54458	MESH,HALF,LH,6'PLATFORM	
4	56424	CLAMP,1.25X.5 RUBBER-CUSHION.....18	
--	6090	SCREW,HHC,1/4-20 X .75	
--	6091	NUT,NYLOCK,1/4-20	
--	6638	WASHER,FLAT,USS,1/4"Y	
5	6550	U-BOLT,3/8 X 1 YZ.....8	
6	4828	NUT,NYLOCK,3/8-16	
7	5397	WASHER,FLAT,USS,5/16",Y	
8	55753	BUMPER, PLASTIC, 1.25 O.D.....4	

821.1 Operator Protection Structure (from SN 3445)



821.1 Operator Protection Structure (from SN 3445)

Item	Part No.	Description	Qty.
1	219158	ACCESSORY,OPERATOR PROT STRUCT.....1 <i>(Complete) includes all fasteners</i>	1
2	8178	SCREW,HHC,3/8-16 X 2.5.....4	4
3	6097	WASHER,FLAT,USS,3/8",Y.....12	12
4	4828	NUT,NYLOCK,3/8-16.....8	8
5	122755	UBOLT,FLATTENED,1.5DIA X 3/8 UNC.....2	2
6	6888	SCREW,HHC,1/4-20 X 1.....4	4
7	15086	WASHER,FLAT,.375 X 1.5 X .125....2 <i>Use only with the platform control box cover option</i>	2
8	6638	WASHER,FLAT,USS,1/4"Y.....8	8
9	6091	NUT,NYLOCK,1/4-20.....4	4

## Part Number Index

The Part Number Index is a numeric index of all part numbers included in this manual. The index shows what page(s) the part is used on.

Part Number	Page	Part Number	Page	Part Number	Page	Part Number	Page
1000254	12	101643	113	102537	137-138	106271P	101
101005	153	101644	71	102538	137-138	106274	219
101005H	153	101646	113	102539	135-138	106275	221
10107	95-96, 101, 111, 219	101726	41	102540	135-138	106374	219
101070	23-26	101727	35-36, 39	102541	135-138	106375	219
101118P	99	101731P	221	102542	135-138	106394	219
101119P	103	101732	221	102543	135-138	106421	125, 127-128
101121P	103	101805	211	102544	135-138	106477	219
101126P	101	101845	211	102545	135-138	106485	99, 101
101127P	101	101855	35-36, 39	102546	135-138	106486	95-96, 99
101128P	101	101893	69	102547	136-138	106487	95-96
101174	153	101895	83-84	102548	136-138	106490	103
101174H	153	101932	201	102549	136-138	106535	213
101175	153	101964	57	102550	136-138	106605	95-96, 99
101175H	153	102003P	205	102551	136-138	106637	49
101281P	17, 31	102010P	95-96	102552	136-138	106658	219
101284	23-26	102013P	101	102553	136-138	106740	213
101373	137-138	102030	165	102554	136-138	106941	101
101374	137-138	102045	71, 81, 84, 93	102558	87	107545	69
101375	137-138	102065P	101	102585	84	107546	73
101376	137-138	102066P	103, 107-108	102589	83-84	107704	194
101377	137-138	102073	95-96	102593	87	107705	194
101378	137-138	102074	95-96	102676	197	107706	194
101379	137-138	102103	99	102678	51-52	107707	194
101380	137-138	102104	99	102679	138	107708	194
101381	137-138	102106	41	102683	65	107709	194
101382	137-138	102117	99, 101	102717	23-26	107710	194
101383	137-138	102118	95-96	102719	25-26	10775	215
101384	137-138	102119	95-96, 101	102720	193-194	10777	215
101440	157	102120	101	102721P	194	108543	77
101446	161	102121	99, 107-108	102724	141, 143-144	109802	46, 63
101490	35-36, 39, 41, 183-184	102134	95-96, 103	102729	19, 29	110194	155, 157, 159, 168
101491	35-36, 39, 41, 184	102136	103	102740	57	110196	165, 168
101494	35-36, 39, 41, 183-184	102169	23-26	102746	219, 225-226	110197	167-168
101516	219	102170	23-26	102779P	96	110198	167-168, 225- 226
101525	221	102209P	87	102785P	197	110202	167-168
101533	25-26	10222	59	102786P	197	110203	165
101534	25-26	102226	59	102794	101, 103	110220	219, 221
101540	113	102226P	83-84	102807	21	110276-1500	221
101547P	221	102227	83-84	102808	21	110276-2500	221
101601	69, 71	102237P	84	102854	197	110276-2800	221
101602	69	102276P	219, 225-226	102939	57	110276-3000	221
101603P	69	102307	95-96	102967	59	110276-3500	221
101604P	69	102312-2088	223	102968	59	110276-5000	221
101605P	69	102313-3126	223	102971	67	110304	69, 95-96
101606P	69	102314	219	102972	73	110344	219
101607P	73	102324-S	231	102976	95-96	110382	41
101608P	69	102337	201	102978	75	110444	201
101609	73	102339	95-96	102979	83-84	110789	211
101610P	69	102346	213	102992	138	110919	107-108
101611	69	102348	69	10587	45-46	111063	123
101612P	205	102357	219	10597	23-26, 111, 115	111064	123
101613	69	102406	83-84	10598	107-108	111065	123
101614	71	102408P	221	106023	71	111089	121
101615P	73	102409P	221	106024	71	111090	24-26
101618	71	102417	83-84	106033	39	111128P	83-84
101619	69	102433	193-194	106043	221	111138	19
101620P	69	102434	193-194	106044	221	111139	29
101623P	59, 69	102435	11-12	106071	123	111142	19, 29
101624P	73	102436	193-194	106098	23-26	111154	19
101625	69	102437	193-194	106104	219	111155	23-26
101626	71	102438	193-194	106110	221	111158	24-26
101627	69	102439	193-194	106111	221	111159	24-26
101628	71	102440	193-194	106112	221	111160	24-26
101632	231	102443	11-12	106113	219	111162	24-26
101633	69, 84	102455	55	106115	219	111163	24-26
101634	69, 84	102456	55	106118	23-26	111226	135-138
101638	83-84	102457	55	106122	24-26	111227	135-138
101639	205	102458	57	106140	219	111228	135-138
101640	205	102491	23-26	106141	221	111229	135-138
101641P	71	102492	23-26	106154	123	111230	135-138
		102493	23-26	106178	99	111231	135-138
		102494	23-26	106183	221	111232	135-138
		102533	15	106184	219		
		102534	71	106204	221		

Part Number Index (continued)

Part Number	Page	Part Number	Page	Part Number	Page	Part Number	Page
111233	135-138	111834	107-108	119250	147, 149	1260081	24-26
111250	137-138	111835	107-108	119397	235	1260082	24-26
111251	137-138	111836	105	119398	235	128000	153
111252	137-138	111837	105	119404	57	128001	153
111253	137-138	111838	105	119533	213	128004	73, 87
111276	138	111839	105	119534	147, 149	128023	73, 87
111298	193-194	111840	105	119536	131	128045	211
111299	193-194	111841	105	119542	131	128125	143-144
111300	193-194	111842	105	119560	147, 149	128172	125
111301	193-194	111843	105	119578	213	128173	117
111319	194	111844	107-108	119613	151, 153	128200	51-52, 141, 143-144
111320	194	111845	105	119619	17, 31		144
111323	11-12	111847	105	119641	147, 149	128201	51-52, 141, 143-144
111352	89-90	111848	107-108	119662	147, 149		144
111354	55	111849	107-108	119795	197	128202	51-52, 141, 143-144
111358	107-108	111850	107-108	119824	107-108		144
111359	107-108	111851	107-108	119867	143-144	128204	51-52, 141, 143-144
111361	24-26	111852	107-108	119915	153		144, 147, 149
111362	24-26	111853	105	119950	194	128205	141, 143-144, 225-226
111363	24-26	111854	105	121340	83-84		
111379	115	111855	107-108	121599	52	128268	127-128
111380	115	111856	107-108	121814	69	128274	231
111381	225-226	111857	105	122003	168	128368	194
111386	59	111858	107-108	122004	167-168	128416	161, 219
111392	168	111859	105	122019	191	128417	161
111402	83-84	111860	105	122050	83-84	128418	161
111403	25-26	111861	111	122073	193-194	128429	194
111404	25-26	111862	111	122074	111	128454P	131
111405	25-26	111864	107-108	122079	125, 133	128482	131
111406	25-26	111865	107-108	122085	59	128483	131
111407	25-26	111867	105	122089	231	128501	131
111413	141, 143-144	111868	107-108	122100	225-226	128513	131
111414	141, 143-144	111869	107-108	122124	141, 143-144	128515	131
111415	151	111870	107-108	122125	141, 143-144	128519	131
111416	151	111871	107-108	122150	23-26	128534	131
111417	151	111872	107-108	122208	51-52	128578	51-52, 141, 143-144
111420	141, 143-144	111873	107-108	122218	141, 143-144		144
111421	191	111874	107-108	122219	141, 143-144	128724	131
111526	197	111878	12	122220	141, 143-144	128903	95-96, 99
111634	95-96, 111	111880	107-108	122231	194	128953	12
111668	83-84	111881	108	122239	113	12906	55, 57
111703	168	111882	107-108	122240	113	13000	89-90, 96
111705	168	111883	105	122241	113	13002	55, 57, 63, 67, 69, 81, 87, 111, 219
111710	111	111884	105	122242	113		
111778	168	111885	105	122262	69	13003	71, 81, 83-84
111779	168	111886	111	122263	105	13014	67, 89-90, 103
111794	111	111887	111	122264	113	13064	23-26, 45-46, 84
111797	39	111888	105	122265	113	13066	46, 61, 69, 73, 77, 84, 89-90, 101, 107-108, 111, 219
111799P	111	111890	105	122300	219		
111800P	111	111894	105	122302	219	13268	105, 107-108
111801P	111	111895	105	122547	231	133518	11-12, 15, 221, 226
111803	111	111896	12	122548	231		
111804P	111	111903	105	122549	231	13585	215, 219
111805	111	111907	111	122567	201	13852	125, 127-128
111806	111	111910	107-108	122568	201	13918	17, 19, 31, 45-46, 213, 225-226
111807	105	111911	111	122569	201		
111808	107-108	111912	111	122570	201	139189	45-46
111810	111	111913	107-108	122571	201	139308	45-46
111812P	111	111914	111	122572	201	139309	45-46
111815	111	111915	39	122581	83-84	139310	45-46
111817-0500	39	111916	107-108	122585	83-84	139311	45-46
111817-13600	39	111917	105	122627	12	139312	45-46
111817-3200	39	111918	105	122628	199, 201	139313	45-46
111817-3600	39	111919	105	122629	83-84	139314	45-46
111817-8000	39	111920	111	122632	24-26	139315	45-46
111818	39, 105	111922	105	122713	121	139321	84
111822	105	111923	105	122714	121	139322	83-84
111824	105	111924	105	122755	209, 237	139323	45-46
111825	105	111987	225-226	122944	125, 127-128	139451	138
111826	105	111990	167-168, 171	12343	123	139455	83-84
111827	105	11209	213	12344	51-52, 147, 149	139508	163
111829	105	112119	225-226	12443	138	139512	163
111830	107-108	114099	12	1254826	84	139527	163
111831	107-108	115431	71, 95-96	1255653	84		
111832	107-108	119051	111	1259054	99, 103		
111833	107-108	119232	107-108	1259704	193-194		

## Part Number Index (continued)

Part Number	Page	Part Number	Page	Part Number	Page	Part Number	Page
139528	163	215209	113	27082	63, 69	30794	57
139598	151, 153	215210	113	27089	36, 41, 71	30810	63, 99, 105, 231
139621	87	21604	127-128, 211	27204	11-12, 15	30895	45-46
139624	84	216791	49	27205	11-12, 15	30971	69, 87, 93, 205,
139666	84	216793	49	27206	11-12, 15		207
139709	87	219158	237	27207	11-12, 15	30973	55, 57, 81, 113
139712	163	21935	167-168	27246	51-52, 141, 143-	30997	52
139715	163	220254	24-26		144, 226	31060	11-12
139716	163	22511	45-46	27287	147, 149	31099	171
139717	163	22558	84, 87, 105, 213	27377	55, 57	31100	168
139718	163	22571	71	27535	225-226	31506	35-36, 39, 41
139719	163	22578	83-84, 101	27564	11-12	31507	35-36
139726	163	226060	69	27584	69, 73	31523	207
139727	163	226061	69	27698	17, 29, 31, 115	31524	35-36, 39, 41
139958	193-194	226103	87	27761	155, 157, 159	31529	225-226
139983	83-84	226104	87	27801	168	31658	35-36, 39, 41
14033	101, 127-128, 225-226	226105	87	27802	167-168	31817	71, 105
		226106	87	27804	168	32064	95-96
144161	57	226127	69	27807	165, 167-168	32339	31, 35-36, 101, 127-128
146057	89-90	226128	69	27836	157, 159, 168		
146061	87	226213	24-26	27901	35-36, 41	32681	29
146284	219	226215	24-26	27920	103	32732	225-226
146285	219	226393	191	27953	17, 31	32735	225-226
146478	51-52, 141, 143- 144	226503	219, 225-226	28076	67	32736	225-226
		226504	219	28158	11-12, 15	32932	11-12
146494	25-26	22672	95-96, 103	28159	11-12, 15	32975	168
146495	25-26	22697	213	28160	11-12, 15	32998	11-12
147094	51-52	22699	71, 73, 77, 84, 87, 111	28161	11-12	32999	11-12
147095	51-52			28164	11-12	33024	61, 73, 87, 111
14723	213	22700	61, 89-90, 95- 96, 101, 103, 105, 213	28165	11-12	33265	59
147289	43			28171	11-12, 15	33277	69, 71, 101, 103, 107-108, 205
147290	43	227151	117, 125, 127- 128	28174	11-12, 15		
147549	175			28175	11-12	33278	17, 31, 45-46
147836	225-226	227152	115	28176	11-12	33361	93, 99
147837	225-226	227516	136-138	28177	11-12	33418	67, 71, 81, 84, 93
147838	225-226	227785	45-46	28181	11-12	33422	49
147839	225-226	22788	99	28235	11-12, 15	33428	17, 19, 29, 31, 115, 127-128
1487	194	227988	95-96, 111	28236	11-12		
1488	194	228466	136-138	28301	55, 57	33441	24-26
15086	95-96, 103, 237	229346	219	28443	221	33520	155
16073	83-84, 107-108	229567	51-52, 141, 143- 144	28607	71, 105	33555	55, 57
162006	219			28646	19, 29	33557	115
16486	123	229925	221	28656	99, 103	33568	225-226
16584	61, 75, 89-90	23057	61, 69, 71, 101	28717	103	33576	136-138
18189	113	230995	199, 201	28750	155, 157, 159, 161, 163, 167- 168, 173	33607	49, 219
18503	89-90, 96, 101, 107-108, 111	231653	123			33608	49, 219
18596	19, 29, 71, 81, 84, 117	233992	209	28853	231	33674	194
		233993	209	29080	29, 117, 119	33681	123
18665	219	23404	49, 52	29290	46	33724	215
18666	221	235403	147, 149	29314	55, 57	33822P	115
18963	191	235405	147, 149	29436	61, 175	33823	115
19268	51-52	236449	105	29560	84	33952	11-12
19274	143-144, 147, 149	236450	105	29605	59	33957	103
		236451	107-108	29606	103	33960	95-96, 101
19358	107-108	236452	107-108	29616	95-96, 103	33963	103
19363	95-96, 105	236453	107-108	29739	175	33964	103
19506	51-52	236454	107-108	29764	45-46, 125, 133	33970	101, 103
19934	107-108, 111	236455	107-108	29868	55, 59, 67, 123, 233	33972	103
19969	225-226	237068	113			33994	157, 159, 161, 163, 167-168, 173
20224	155, 159, 177, 179, 181, 183- 184	237228	24-26	30080	11-12		
		24038	69, 95-96, 103	30138	29, 117, 119	34052	49
20654	45-46	24514	137-138	30143	113	34053	49
20776	219	25284	17, 31, 115	30144	113	34054	49
20912	213	25368	69, 107-108	30219	127-128	34055	49
20973	35-36, 39, 138	25388	57	30255	117, 125, 127- 128	34056	49
21019	69, 95-96	25548	101			34056	49
21121	138	25683	115, 125, 127- 128	30370	125, 127-128	34058	65, 71, 231
21130	29, 63, 69, 81, 83-84	25685	211	30418	19, 29, 115	34079	45-46
		25817	17, 31	30468	197	34106-S	217
21141	35-36, 39, 41	25926	101, 105	30489	83-84, 87, 207	34124	117, 119
21148	46	25929	103	30490	41	34125	119
214393	113	25967	35-36, 39	30734	17, 31	34127	21
21465	35-36, 39, 41, 71	25994	11-12	30743-S	55	34131	115
21496	29, 63, 81	27034	73, 105	30785-1000	81	34162-2300	63
				30785-600	29	34162-300	69



Part Number	Page	Part Number	Page	Part Number	Page	Part Number	Page
34162-400	99	42941	35-36, 41, 71	48904	181, 183-184, 189, 229	49119-12278	177
34164	63, 71, 93, 111, 205	43018	17, 19, 29, 31, 115, 121, 125, 127-128, 171, 173	48905	177, 179, 183-184, 187, 189	49119-124400	189
34170-S	117	43169	125, 127-128	48906	177, 183-184	49119-16878	187, 189
34245	17, 31	43181	143-144	48907	177, 183-184, 187, 189	49119-3278	183-184
34268	117	43392	194, 197	48908	223	49119-3878	183-184
34269	115	43594	11-12	48912	177, 187, 189	49119-4178	183-184
34270	115	43595	11-12	48915	177, 183-184	49119-5178	177
34271	115	43597	155	48919	187, 189	49119-5478	177
34276	17, 31, 115	43663	11-12	48920	177	49119-6178	183-184
34284P	119	44064	61, 71, 73, 77, 87, 89-90, 95-96, 103	48922	35-36, 39, 41, 184	49119-8178	189
34290P	17, 31	44174	173	48935	179, 181, 183-184	49119-9578	177
34344	113, 117, 119	44669	75	48936	229	49119-9978	177
34348	17, 31	44743	137-138	48937	187, 189	49120-14481	187, 189
34350	59	44981	11-12, 15, 217	48939	229	49120-15481	187, 189
34381	199, 201	44986	11-12	48940	177, 179, 181	49128-2409	183-184
34388P	199, 201	45074	17, 31	48946	183-184, 229	49128-3009	183-184
34389P	199, 201	45161	35-36, 41, 183-184	48948	179, 181, 187, 189, 223, 229	49128-3109	177
34448	155	45226	17, 19, 31, 113, 115, 125, 127-128	48958	223	49128-3509	177
34501	207	45383	141, 143-144	48959	183-184, 229	49128-3709	183-184
34503	207	45385	147, 149	48960	179, 181, 183-184, 223	49128-7109	183-184
34505	207	45400	213	48961	223	49130-5082	177
34531	207	45435	95-96, 99, 107-108, 111	48963	179, 181, 183-184, 223, 229	49141-6463	181
34532	207	45454	61	48976	223	49143-10029	229
34533	207	45462	59, 191	48978	184, 223	49143-1929	179, 181
34550	115	45483	46	48984	183-184	49143-2429	229
34619	211	45495	46	48985	183-184	49143-2729	229
34626	21	45708	113	48986	183-184	49143-2929	183-184
34627	21	45748	211	48988	183-184	49143-3329	183-184
34628	21	45782	225-226	48989	183-184	49143-4629	179, 181
34767	45-46	45912	167-168, 171, 173	48994	183-184	49143-4829	179, 181
34955	205	45914	167-168, 225-226	48996	35-36, 39, 41, 183-184	49143-5229	179, 181
35000	168	45921	167-168	48997	155, 159	49149-8526	183-184
35067-200	93, 205	47363	221	48998	177, 179, 181, 183-184	49150-5230	183-184
35067-2700	93	4828	17, 19, 29, 31, 35-36, 39, 41, 43, 45-46, 59, 69, 71, 73, 83-84, 87, 93, 95-96, 99, 101, 103, 107-108, 111, 113, 115, 121, 123, 125, 127-128, 131, 137-138, 205, 211, 213, 215, 219, 221, 225-226, 233, 235, 237	49104-4309	177	49150-7630	183-184
35067-950	93	48415	171	49105-10782	177	49150-9030	183-184
35418	41	48421	59	49105-11682	177	49151-2273	179
35419P	203	48422	59	49105-9382	177	49159-4618	184
35421	203	48423	59	49105-9982	177	49159-5118	183-184
35434	69, 71, 95-96, 101, 111	48424	59	49109-2279	179	49164-1218	183-184
35461	221	48425	111	49109-2429	179	49164-1543	229
35610	231	48428	89-90, 101	49109-4329	179	49164-4043	177
35675	127-128	48640	167-168	49109-8029	179	49164-4743	223
35714	45-46, 59	48641	167-168	49109-9429	179, 181	49164-5443	183-184
35925	45-46	48867	177	49110-3392	179, 181	49170-2254	183-184
35958	191, 194	48875	177	49110-6192	179	49177-119794	217
35960	191, 194	48880	155, 159, 177, 179, 181, 183-184	49111-12691	179, 181	49180-2116	183-184
36188	121	48885	19, 29	49111-13291	179, 181	49180-3316	177, 179, 181
36207	121	48890	179, 181	49111-13591	179, 181	49180-6716	179, 181
36208	207	48894	179, 181	49117-3391	177	49180-6916	179, 181
36294	219	48904	181	49118-100208	187, 189	49183-16892	187, 189
36388	55, 57, 113	48904	181, 183-184, 187, 189	49118-100608	187, 189	49183-9392	187, 189
36928	225-226	48905	177, 179, 183-184, 187, 189	49119-10678	179, 181	49184-2451	187, 189
37002	61	48906	177, 183-184	49119-11691	177	49189-1638	19, 29
37003	73, 87, 103	48907	177, 183-184, 187, 189	49117-12391	181	49212	217
37033	231	48908	223	49117-12691	179, 181	49213	75
37187	43	48912	177, 187, 189	49117-13291	179, 181	49214	217
37192	43	48915	177, 183-184	49117-13591	179, 181	49215	217
37505	67, 105	48919	187, 189	49117-3391	177	49375	105
37947	51-52	48920	177	49118-100208	187, 189	49376	105
38620	117, 119	48922	35-36, 39, 41, 184	49118-100608	187, 189	49379	205
38621	119	48935	179, 181, 183-184	49119-10478	177	49381	65, 69, 93, 213
38859	45-46, 59	48936	229	49119-10678	179, 181	49384	67
38922	71, 95-96, 111	48937	187, 189	49119-115800	187	49398	105
39479	103, 107-108, 219, 226	48939	229	49119-11691	177	49407	83-84, 101, 105
39882	46	48940	177, 179, 181	49119-12391	181	49408	65, 95-96, 101, 103
40134	121	48946	183-184, 229	49117-12691	179, 181	49410	69, 73, 81, 93, 213
40434	11-12, 15	48948	179, 181, 223	49117-13291	179, 181	49411	84, 87, 213
41468	71	48958	223	49117-13591	179, 181	49532-S	55
41489	46	48959	183-184, 229	49117-3391	177	49533P	197
41549	45-46, 59	48960	179, 181, 183-184, 223	49118-100208	187, 189	49534	197
42280	105, 107-108	48961	223	49119-10478	177	49535P	55, 57, 81
4266	193-194	48963	179, 181, 183-184, 223, 229	49119-10678	179, 181	49612	155, 157, 159, 161, 163, 167-168, 173, 177,
42781	147, 149	48966	179, 181, 183-184	49119-115800	187		
		48967	177	49119-11691	177		

Part Number Index (continued)

Part Number	Page	Part Number	Page	Part Number	Page	Part Number	Page
49613	179, 181, 183-184, 187, 189, 155, 157, 159, 161, 163, 167-168, 173, 177, 179, 181, 183-184, 187, 189	113, 115, 121, 123, 131, 136-138, 205, 209, 213, 219, 221, 225-226, 233, 235	6019	35-36, 39, 43, 55, 87, 101, 107-108, 111, 113, 117, 119, 123, 136-138, 205	61110	77, 84	
49729	35-36, 39, 41, 183-184	53976 225-226	6021	17, 19, 23-26, 29, 31, 43, 55, 59, 67, 89-90, 96, 107-108, 111, 113, 115, 117, 119, 121, 123, 128, 131, 201, 213, 233	61113	213	
49775	45-46	53999 46			61114	213	
49816	55, 57, 215	54071 67, 89-90			61128	45-46	
49817	95-96, 211	54177 46			61189	113	
49820	51-52, 147, 149	54205 71			61223	45-46	
49826	215	54247P 136-138			61225	69, 83-84, 107-108	
49857	125, 133	54255 147, 149			61226	69, 83-84	
49863	219	54355 127-128			61240	36, 39, 41	
49881	103	54365 49, 141, 143-144, 147, 149			61245	231	
49898	95-96	54457 235			6126	45-46	
49915	87	54458 235			61263	35-36, 39, 41, 183-184	
49922	84	54465 235			61270	75	
49924	84	54486 197			61273	75	
50787P	83-84	54527-S 127-128			61306-S	127-128	
50941	93, 205	54534 49			61318	79	
50948	95-96	54598P 95-96			61326	35-36, 39, 41	
52000	225-226	54692 225-226			61346	179, 181	
52001	225-226	54862 95-96			6145	125, 127-128, 194	
52076	95-96	55017 105			6146	23-26, 45-46, 55, 57, 95-96, 123, 141, 143-144, 191, 211	
52078	103	55753 194, 235			6147	191	
52085	225-226	56057 49			61541	123	
52179	35-36	56237 219			61610	179	
5224	19, 29, 107-108, 111, 115, 131, 201	56424 209, 235			61662-S	31	
52352	84	56660 63			61726	211	
52537	81	56689 71			61741	96, 107-108, 111	
52570	103	56704 191			61742	29	
52575	103	56912 21, 26, 33, 59, 69, 73, 83-84, 131, 136-138, 215			61745	39	
52580	103				61746	213	
52652	95-96	56934 209			6175	17, 31, 35-36, 43, 59, 61, 67, 81, 83-84, 89-90, 95-96, 99, 103, 111, 113, 115, 117, 119, 121, 123, 233	
52661	193-194	57075 215			6178	45-46, 49, 55, 57, 95-96, 115, 117, 123, 141, 143-144, 147, 149, 191, 215	
52723	159	57201 125, 133			61781	73, 89-90	
52726	155, 157, 159	58210 35-36			6179	115, 117	
52768	35-36, 39, 41	58211 35-36			61972	211	
52943	165, 167-168, 173	58222 81, 99, 113			61974	211	
52967	11-12, 15	58223 81, 99, 113			61975	211	
53036	121	58247 95-96, 111			6198	99, 103, 107-108, 111, 219, 226	
53120-S	35-36, 39	58249 83-84			61997	211	
53156	231	58250 71			62244	171	
53159-S	231	58299 84			62252	159	
53189	197	58302 168			62253	159	
53527	35-36, 39, 41	58304 45-46			62254	167-168	
53605	35-36, 39	58308 123			62255	168	
5365	29, 83-84	58309 123			62256	167-168	
53758-S	231	58310 123			62257	167-168, 171	
53759-S	231	58312 213			62258	168	
53760-S	231	58321 103			62259	168	
53761-S	231	58370 89-90			62262	171, 173	
53807-S	193-194	58386 89-90			62263	165, 171	
53808-S	193-194	58387 45-46			62264	165	
53820	52	58402 225-226			62265	165	
53821P	95-96	58412 89-90			62266	165	
53903	55, 57	58413 89-90			62267	173	
53909	67, 93	58489 43			62268	43	
53945	63, 205	58566 77, 84			62271	51-52	
53948	63	58596 45-46			62272	141, 143-144	
53951	63	58597 45-46			62273	165, 167-168, 171, 173	
53952	63, 71, 89-90, 95-96, 111	58630 83-84					
5397	23-26, 29, 35-36, 39, 41, 55, 57, 59, 61, 63, 67, 69, 71, 73, 81, 83-84, 87, 89-90, 96, 99, 107-108, 111,	58944 225-226					
		58954 225-226					
		58967 101					
		59267 125, 127-128					
		59370 17, 31					
		59579 105					
		59746 81					
		6002 55, 57					
		60036 93					
		60160P 136-138					
				61070-8652	223		
				61073-3730	183-184		
				61074-7648	183-184		
				61078	77		

Part Number Index (continued)

Part Number	Page	Part Number	Page	Part Number	Page	Part Number	Page
62274	168		128, 137-138,	66815	141, 143-144	72355	77
62275	167-168		141, 143-144,	66816	141, 143-144	72358	103
62277	168		194, 199, 203,	66818	51-52, 141, 143-	7265	194
62278	93		215		144	72867	15
62279	93	63766	136-138	6708	19, 59, 67, 233	72875	235
62392	151, 153	64079	103	67325	113	73076	21
62395	151, 153	65355	65	67349	65	73190	21
62414	43	65453	101	67537	101	73208	21
62417	125, 127-128	65454	103	67723	105	73209	21
62420	63, 71, 89-90	65456	103	6782	55, 57, 63, 69,	73211	21
62421	63	65473	67, 69, 89-90		81, 87, 89-90,	7339	81, 119
62422	63	65487	61		95-96, 101, 111,	73455	23-26
62423	65	65488	65		113, 213, 219,	73463-1175	209
62425	75, 83-84	65490	65		221	73477P	136-138
62430	77	65491	65	6833	101, 211	73478P	136-138
62431	79	65492	65	6878	201	73500	235
62432	79	65493	65	6884	121	73501	235
62449	121	65494	65	6886	46, 61	73575	23-26, 136-138
62476	73, 87	65495	61	6888	35-36, 39, 41,	73587	136-138
62506	173	65496	65		43, 55, 57, 63,	73610P-S	136-138
62507	173	65497	63		67, 69, 73, 83-	73634	23-26
62920	11-12, 15	65498	63		84, 93, 99, 101,	73711	51-52, 147, 149
62921	11-12, 15	65499	61		107-108, 111,	73713	147, 149
62922	11-12, 15	6550	137-138, 221,		113, 138, 197,	73717	51-52, 147, 149
62923	11-12, 15		235		199, 201, 205,	73723	147, 149
63135P	199	65500	63		211, 215, 237	73736	51-52, 147, 149
63136	199	65501	63	6889	35-36, 39, 41,	73753	51-52
63137P	199	65503	61, 93		67, 81, 121, 194,	73754	51-52
63138	199	65504	61		197, 199, 209,	73767	35-36, 39, 41,
63141P	199	65505	65		219		183-184
63143P	199	65506	65	6935	51-52, 57, 147,	73768	35-36, 39, 41,
63144	199	65507	65		149, 215, 219		183-184
63167P	199	65613	59	69873	159, 171	73769	35-36, 39, 41,
63168P	199	65614	59	70246	167-168, 171		183-184
63170P	199	65616	46	70367	71, 95-96	73803	51-52, 147, 149
63171	199	65618	46	70381	87	73805	51-52
63172P	199	65620	89-90	70389	213	73807	173
63174	199	65621	89-90, 93	70398P	213	73817	191
63175P	199	65622	89-90	70399P	213	73875P	121
63176P	199	65623	89-90	70420	99	73876	121
63177P	199	65624	89-90	70423P	103	73877	121
63179P	199	65625	89-90	70425P	99	73878	121
63180P	199	65626	35-36, 89-90	70444	69, 84	73879	121
63181	199	65627	89-90	70445	87	73880	121
63182P	199	65770	95-96, 103	70448P	84	73881	121
63200	121	6584	29, 83-84	70449	69, 84	73882	121
63204	115	65841	225-226	70452	103, 107-108	73884	121
63209	115	65853	63, 75	70454	87	73885	121
63210	125, 127-128	65892	101	70455P	83-84	73886P	121
63213	127-128	6595	57	70456P	87	73887	121
63313	61	66031	39	70465	84	73888	121
63326P	61	6605	45-46	70478	84	73889	121
63338	121	6607	107-108	70479P	83-84	73891	121
63339	121	6637	99, 111	70483	73, 87	73892	121
63344	115	6638	21, 26, 29, 33,	70484	213	73921	121
63349	115		35-36, 39, 41,	70489	95-96	73926	121
63350	125, 127-128		43, 51-52, 55,	70493	59	73928	125, 133
63353	127-128		57, 59, 61, 63,	70493P	95-96	73931	136-138
63362P	67		67, 69, 73, 75,	70525	95-96	73961	121
63363P	67		81, 83-84, 89-	70527	101	73975	136-138
63364P	67		90, 93, 95-96,	7056	51-52, 57, 215,	73976	137-138
63399P	63		99, 101, 107-		219	74006	215, 219
63401	59		108, 111, 113,	71259	233	74496P	55, 57
63401P	67		119, 121, 123,	71909	35-36, 101	74902	159, 167-168,
63413	67		127-128, 131,	71911	69, 84, 99, 111		171
63414	67		136-138, 141,	72043	165, 171	74913	49
63418	67		143-144, 194,	72047	167-168	74920	49
63419	67		197, 199, 201,	72168	12	74921	49
63426	75		203, 205, 209,	72169	12	74922	49
63462	67, 89-90		235, 237	72243	77	74923	49
63463	63, 71, 89-90	6653	69	72265	63	74924	49
63464P	61, 77	6666	57	72282	191	75000	75
6356	21, 25-26, 31,	66777	69, 84	72326	59, 141, 143-	75016-S	127-128
	33, 51-52, 55,	66812	51-52, 141, 143-		144, 191	75053	213
	59, 81, 83-84,		144	72327	67, 89-90	75073	55, 57
	119, 125, 127-	66813	141, 143-144	72343	96, 111	75082-S	81

## Part Number Index (continued)

Part Number	Page	Part Number	Page	Part Number	Page	Part Number	Page
75101	25-26	77183	12, 15	81326	165	81570	215
75143	151	77219	35-36, 95-96	81330	19	81578	43
75185	95-96, 101	77295	95-96, 111	81331	46	81590	23-26, 29
75278-2429	181	77303	125, 127-128	81334	123	81598	19
75278-2579	181	77351	141, 143-144	81340	123	81599	17, 31
75278-4329	181	77402	63, 69	81341	123	81600	17, 31
75278-8429	181	77432	147, 149	81342	123	81607	17, 31
75359	75	77500	167-168	81347	123	81609	29
75360	75	77519	19	81349	19, 29	81610	29
75361	77	77520	45-46	81351	123	81615P	113
75362	77	77525	23-26	81354	123	81640	19, 131
75363	77	77526	24-26	81366	46	81642	19
75364	77	77527	23-26	81378	19, 29	81643	45-46
75365	77	77528	19, 29	81381	23-26	81645	45-46
75366	77	77529	17, 31	81382	23-26	81647	175
75367	77	77530	31	81383	25-26	81689P	117
75369	77	77531	31	81384	45-46	81695	29
75370	77	77532	17, 31	81386	175	8170	113
75371	77	77533	19	81393-S	17	81700	207
75372	77	77534	19	81394-S	17	81703P	89-90
75373	77	77535	29	81417P	93	81704	199, 201
75374	77	77536	35-36, 89-90	81418P	93	81709	17, 31
75375	77	77537	23-26	81419	93	81711P	23-26, 29
75377	77	77538	21, 33	81420	90	81724	113
75378	77	77540	89-90	81421P	89-90	81725	17, 31
75379	77	77541	89-90	81424	89-90	81726	29
75380	77	77542	89-90	81425	89-90	81727	19
75381	79	77543	90	81426	89-90	81728P	29
75382	79	77544	90	81427	89-90	81729	29
75383	79	77545	89-90	81429	117, 119	81731P	89-90
75384	79	77550	89-90	81448	147	81732P	89-90
75385	79	77551	89-90	81449	149	81737P	31
75386	79	77664	209	81450	147	81741	25-26
75387	79	77683-S	209	81451	149	8177	19, 29, 61, 73, 77, 84, 89-90, 101, 111
75388	79	77804	35-36, 39	81452	147	81777	123
75389	79	77806	23-26	81453	149	8178	19, 35-36, 39, 41, 111, 237
75390	79	77819	175	81456	117	81781	75
75391	79	77821	89-90	81457	93	81782	75
75392	79	77822	93	81458	215	8179	29, 123
75393	79	77825	113	81462P	81	81796	19
75394	79	77838	136-138	81463P	81	81812-3392	181
75395	125, 127-128	77840	137-138	81464P	81	81812-6192	181
75398	81	77844	137-138	81466	213	81818	59
75399	81	77845	115	81467	75, 83-84	81820	165
75416	79	77847	89-90, 93	81468	75, 83-84	81821	173
75417	79	77848	93	81469	75	81837	89-90
75418	79	77849	93	81470	75	81850P	215
75419	79	77850	89-90	81471	75	81851	19
75420	79	77871-S	233	81473	77	81852	213
75421	79	77896	123	81474	59	81856	29
75422	79	77901	113	81480P	45-46	81861P	89-90
75423	79	77921	93	81481	93	81866	213
75443	151, 153	77951	123	81482	171	81867P	213
75444	151, 153	77952	123	81488	141, 143-144	81877P	89-90
75445	151, 153	77956	75	81498	19	81878	61
75446	151, 153	77957	93	81499	19	81879	51-52
75447	151, 153	77958	61	81516	45-46	81891	213
75448	151, 153	77968P	138	81518	75	81895	31
75449	151, 153	79456	131	81521	171	81899	49
75473	77	80358	105	81522	113	81900	51-52
75519	194	80605	211	81527	21	81902P	123
75527	193-194	81005	81	81528	21	81903	123
75627	128	81005P	99, 113	81529	21	81906	75
75654	184	81062P	203, 205	81530	21	81908P	17, 31
75854	233	81063P	199	81531	21	81924	123
75855	233	81064	199	81533	51-52	81945P	199
77026	23-26	81069	213	81534	75	81986	45-46
77027	23-26	81096	215	81550	147, 149	81992	61
77046	11-12, 15	81101	171	81551	147, 149	81993	17, 31
77069	43	81128	63, 69	81552	29	82194	12
77071	43	81147P	35-36, 39, 41	81553P	233	82195	12
7713	67, 81, 113, 136- 138, 209	81154	121	81558	215	82202	12
77139	63, 81, 99, 113	81164	21	81559	215	82203	12
77170	95-96	81165	21	81560	51-52		
77181	111, 131	81175	127-128	81562	61, 75		
		81199	63, 75	81563	113		

Part Number	Page	Part Number	Page	Part Number	Page	Part Number	Page
82204	12	88356-222N3	115	94397	127-128	T113655	219
82207	12	88356-22463	123	94398	125	T114022	219
82237	219, 221	88356-31163	45-46, 117	94450	49	T114023	219
82243	12	88356-322P3	115	94466-2636	181	T114678	83-84
82244	12, 207	88374	213	94493-S	209	T115352	147, 149
82246	15	88377-1400	209	94506	141, 143-144		
82253	12	88406	221	94538	49		
82366	12	88486	63	94549	211		
824164	117, 125, 127-128	88492	205	94600	213		
		88493	205	94612	35-36, 39		
82472	15	88512	63, 83-84	94621	45-46		
82473	15	88514	123	94622	45-46		
82487	15	88515	123	94623	46		
824879	51-52, 141, 143-144	88516	125, 127-128	94624	46		
		88606P	197	94625	46		
82544	15	88607P	197	94626	46		
82545	15	88609-S	197	94643	211		
82546	15	88757	95-96	94680	51-52		
82547	15	88783	157	94745P	138, 194		
82548	15	88786	173	94751	161		
8255	17, 23-26, 29, 31, 59, 96, 117, 131, 233	88807	143-144	94752	161		
		88832	49	94753	161		
		88847	95-96	94754	161		
825796	19, 29, 117	88936	184	94756	161		
82581	12, 15	88937	184	94757	161, 219		
82602	15	88942-5054	183-184	94758	157		
82604	15	88942-5554	183-184	94759	219		
82623	12, 15	88943-5586	184	94760	219		
82624	12, 15	88943-6086	184	94765	219		
82625	15	88949-2228	183-184	94789	21		
82626	15	8914	141, 143-144, 209	94791	21		
82646	15			94792	21		
82762	12, 15	8915	55, 57, 75, 131	94793	21		
82763	12	89297	171, 173	94794	21		
82862	221	89300	165	94795	21		
82924	15	89307	167-168	94796	21		
82926	11-12	89310	159, 165, 167-168	94902	89-90		
83009	46			94918	175		
83048	89-90	89311	167-168	9596	194		
83093	51-52	89312	168	9599-S	193-194		
83098	151, 153	89404-S	231	96008-S	51-52		
83124	45-46	89406-S	231	96236	215		
83134	19, 29	89617	43	97128	45-46, 115, 117		
83135	89-90	89642	127-128	97231	115, 123		
8352	121	89719	225-226	97232	45-46, 115, 117		
84080	225-226	89722	168	97571	12		
84134	155, 159	89733	165	97576	12		
84135	155, 159	89735	165	97579	221		
84139	173	89755	211	97602	12		
84148	89-90	89769	165	97758	12		
85053	84	89770	165	97807	11-12		
8516	19, 29, 31, 69, 71, 73, 93, 103, 123, 125, 127-128, 213, 215, 219	89801	127-128	97815	12, 15, 138		
		89811	103	97887	11-12		
		89812	103	97890	11-12		
		89813	103	98692	24-26		
		89862	173	Ref.	84, 87, 103, 138, 159, 161, 201		
85300	235	89863	173	T107233	175		
88001	121	89864	173	T108075	125, 128		
88006	29	89894P	213	T108076	127-128		
88007	29	89908	213	T108077	127-128		
88051	123	89917P	101	T108078	125, 127-128		
88064	83-84	89921	101	T108079	117, 125, 127-128		
88070	231	89959	205				
88090	36, 39	89973	95-96				
88091	41	89997	81, 83-84	T108732	87		
88092P	29	89998	81, 83-84	T108733	87		
88100	89-90	90971	71	T108734	87		
88102	21	9145	29	T110129	175		
88123P	31	94077	35-36, 39, 41	T111608	225-226		
88157	113	94324-1400	205	T111609	225-226		
88174P	213	94324-3450	71	T111610	225-226		
88189P	67	94324-500	205	T111611	225-226		
88212	45-46	94374-2630	179, 181	T111612	225-226		
88349	17, 31	94374-3930	183-184, 223	T111613	225-226		
88351	23-26	94374-4130	181	T112563	215		
88352	213	94374-6430	229	T112626	151, 153		

## Part Description Index

The Part Description Index is an alphabetical index of all part descriptions included in this manual. The index shows what page(s) the part is used on.

**4**

4WD traction manifold part 81055 is no longer available; for its complete replacement customer must order part 139712.....159  
4WD traction manifold part 88784 is no longer available; for its complete replacement customer must order part 139712.....161  
4WD YOKE WELD ASSEM.LH.....31

**6**

6' TRI-ENT ASSY W/DECALS A/SOA.....193-194  
6' TRI-ENT ASSY W/DECALS ANSI.....193-194  
6' TRI-ENT ASSY W/DECALS AUSTR.....193-194  
6' TRI-ENT RAIL W/DECALS A/SOA.....194  
6' TRI-ENT RAIL W/DECALS ANSI.....194  
6' TRI-ENT RAIL W/DECALS AUSTR.....194  
6782,AIR INTAKE,FORD EFI.....93

**8**

8' TRI-ENT ASSY W/DECALS A/SOA.....193-194  
8' TRI-ENT ASSY W/DECALS ANSI.....193-194  
8' TRI-ENT ASSY W/DECALS AUSTR.....193-194  
8' TRI-ENT ASSY W/DECALS CE.....193-194  
8' TRI-ENT RAIL W/DECALS A/SOA.....194  
8' TRI-ENT RAIL W/DECALS ANSI.....194  
8' TRI-ENT RAIL W/DECALS AUSTR.....194  
8' TRI-ENT RAIL W/DECALS CE/UK.....194

**A**

ACCESS PBOX HEATER ALC500/1000...147, 149  
ACCESS,2ND BATT,S80/85 CONTNTL.....113  
ACCESS,2ND BATT,S80/85 PERKINS.....113  
ACCESSORY,2ND BATTERY,S80/85.....113  
ACCESSORY,OPERATOR PROT STRUCT.....237  
ACCUMULATOR,10CC,450PSI,#6SAE.....167-168, 171  
ADAPTER 3/8 FNPT X M16.....69  
ADAPTER CABLE, JS100 JOYSTICK.....141, 143-144  
ADAPTER,1/4 FNPT X 1/2-20 UNF.....71  
ADAPTER,140139-8-6.....71, 105  
ADAPTER,DEUTZ OIL DRAIN.....75  
ADAPTER,MIXER, TME27.....105  
ADAPTER,NPT 6-4.....39  
ADAPTER,OIL DRAIN,GM 3.0L.....89-90  
ADAPTER,SAE-16,1 FPT.....35-36, 39, 41, 183-184  
ADAPTER,WELDER,208-220.....221  
ADJUSTABLE STRAP ASSY.....209  
ADJUSTMENT LUG,1.25-7 PNTD.....17, 31  
ADPTR,ST. THR 3/4-16 FEM PIPE.....63  
ADPTR,STR FEM INV 45D 1/4X1/4.....63  
AIR CLEANER BRACKET, PAINTED.....63  
AIR CLEANER CAP/ FORD/NOLFF.....95-96, 111  
AIR CLEANER,FORD,T3.....95-96, 111  
AIR CLEANER,NELSON.....75, 83-84  
AIR CLEANER,NELSON\*\*\*.....63, 71, 89-90

AIR INTAKE BOX BODY.....75  
Air Intake Hose.....99  
AIR TO PLATFORM,1/2"ID.....217  
ALARM PKG, STICK BOOM.....191  
ALARM,CHIME TONE 5-25VDC\*\*\*.....59, 191  
ALARM,WARBLE TONE 5-30 VDC\*\*\*.....141, 143-144  
ALARM.INTERMITTENT TONE.24V.....191  
ALLIED SPADE DRILL,11/16.....71  
ALTERNATOR STAY,DEUTZ F4L913.....79  
ALTERNATOR, DEUTZ (55AMP) \*\*\*.....79  
ALTERNATOR, DEUTZ,BF4L2011\*\*\*.....83-84  
ALTERNATOR, GM3.0L ENGINE.....93  
ALTERNATOR, PERKINS (53883).....61  
ALTERNATOR,LRG-423 RE-BUILT\*.....95-96, 101  
ALTERNATOR,PERKINS 800 SERIES.....71  
ALTERNATOR,STAY,DEUTZ,F4L913.....79  
ALTERNATOR,TME2.7L ENGINE.....105  
ANGLE,RELAY MNT,W/NUTSERTS,PNT.....49  
ANGLE,RING GUARD \*PAINTED.....203, 205  
ASSEMBLY,FOOT SWITCH.....136-138  
ASSEMBLY,OUTER AXLE,REAR, S80.....29  
ASSM, GEN. ONLY, 110V, 60HZ.....225-226  
ASST,OVERFLOW BOTTLE,TME27.....107-108  
ASSY, CIRCUIT BREAKER 15A.....51-52  
ASSY, CIRCUIT BREAKER 20A.....51-52  
ASSY,4 LINK CABLE TRACK,SS.....123  
ASSY,ENCLOSURE,WELDER GEN.....219  
ASSY,FOUR LINK CABLE TRACK\*\*\*.....123  
ASSY,LF INNER AXLE,STEER,S80.....19  
ASSY,PCB,ALC500 S80 LEG V201.....147, 149  
ASSY,RELAY SOCKET, AUTO.....49  
ASSY,RF INNER AXLE,STEER,S80.....19  
ASSY,S80 #1BOOM TUBE(2K)\*\*.....115  
ASSY,S80/85 #3 BOOM TUBE.....117, 125, 127-128  
ASSY,S85 #1 BOOM TUBE,(2K).....115  
AUX TOP RAIL,6"(1.25")SERVICE.....193-194  
AUX TOP RAIL,8"(1.25")SERVICE.....193-194

**B**

BACKING PLATE, HOSE BLOCK, JIB.....131  
BACKING PLATE, PAINTED.....199  
BACKING PLATE, PNTD.....199  
BAFFLE,AIR,DEUTZ 913.....59  
BAFFLE,GM 3.0 L.....59  
BAFFLE,INTAKE,S80 PERKINS,PTD.....59, 69  
BAFFLE,PERKINS,S60/80.....59  
BAFFLE,PERKINS,S60/80,PAINTED\*.....67  
BAFFLE,TANK SIDE.....233  
BALL STUD\*\*.....55, 57  
BAR,AXLE ROTATION STOP PAINT.....29  
BAR,FLAP REINFORCING 23" BLUE.....199, 201  
BAR,FLAP REINFORCING 37.5 BLUE.....199, 201  
BAR,HARNESS CONNECTOR MOUNT.....101  
BASE, W/1 N.O. CONTACTS\*\*\*.....141, 143-144  
BASE, W/2 NC CONTACTS\*\*\*.....51-52  
BASE,W/3 NC CONTACTS.....141, 143-144  
BATT CABLE,00,POS.,RED,60".....113  
BATT.CABLE,00,POS.,RED,76".....113  
BATT.CABLE,2/0,BLACK,48".....113

BATTERY CABLE,2/0,BLACK,64".....113  
BATTERY CABLE,POSITIVE DEUTZ.....79  
BATTERY HOLD DOWN,GROUP 31.....113  
BATTERY,12V 1000CCA,5/16STUD W.....113  
BATTERY,12V,1000 CCA GRP 31.....113  
BEARING KIT.....25-26  
BEARING KIT (88921).....45-46  
BEARING KIT,PLAT ROTATOR,SUPER.....125, 127-128  
BEARING TURNABLE SEAL\*\*\*.....45-46  
BEARING,1.00IDX1.25ODX1.00L.....17, 31  
BEARING,1.25 X 1.5 X 2.....128  
BEARING,1.25IDX1.50X1.25L.....17, 31  
BEARING,1.25IDX1.50DX1.00L.....125, 127-128  
BEARING,1.5IDX1.75ODX1.5L,PTFE.....17, 31  
BEARING,2.50IDX2.75ODX2.00L.....17, 29, 31, 115  
BEARING,2.50IDX3.00ODX2.00L.....115  
BEARING,FL, 1.25X1.5X2.13.....127-128  
BEARING,FL,1.25ID X 1.41OD X 1.....127-128  
BEARING,FL,1.25IDX1.50DX1.25L.....127-128  
BEARING,GARLOCK,12FDU12.....211  
BEARING,INNER CONE.....21  
BEARING,MOTOR.....225-226  
BEARING,OUTER CONE.....21  
BEARING,POLYGON,20DU12.....115, 125, 127-128  
BEARING,TURNABLE.....45-46  
BELL HOUSING KIT, FORD 425EFI.....103  
BELLCRANK ASSY W/BEARINGS.....127-128  
BELT GEN BRKT UPGRADE KIT.....213  
BELT GUARD W/DECAL PERKINS.....73  
BELT, (NAPA 9360).....213  
BELT,AX30.....213  
BELT,AX32.....213  
BELT,AX33\*\*\*.....213  
BELT,AX35.....213  
BELT,AX36.....213  
BELT,AX38\*\*\*.....213  
BELT,FEAD, TME 2.7L ENGINE.....105  
BELT,SERPENTINE,LRG425 EFI\*\*\*.....103  
BELT,TIMING,FORD LRG423/425EFI.....95-96, 103  
BELT,V KIT, PERKINS 704-30.....65  
BELT,V, ALTERNATR.DEUTZ F4L913.....79  
BELT,V, BLOWER, DEUTZ F4L913.....79  
BELT-FAN, GM 3.0L ENGINE.....89-90, 93  
BLANKET,BATTERY.....231  
BLOCK,AXLE EXTEND(S-80 81349).....19, 29  
BOLT,CARRIAGE,1/4-20 X .75,G2.....201  
BOLT,CARRIAGE,1/4-20 X 1.00,G2.....131  
BOLT,CARRIAGE,1/4-20 X 2.75,G2.....131  
BOLT,CARRIAGE,3/8-16 X1.50,G5.....213  
BOLT,CARRIAGE,M8X1.25X25,DEUTZ.....79  
BOLT,CRANKSHAFT,TME27.....105  
BOLT,PULLEY,GM.....213  
BOLT,WHEEL DRIVE CAP(106122).....24-26  
BOLT-FLANGE,M6 X 22MM(52573).....103  
BOOT GUARD, JOYSTICK 62390/91.....151  
BOOT(BELLOWS),E-STOP,BLACK.....51-52, 141, 143-144  
BOOT,ROCKER JOYSTICK 75565.....151, 153  
BOOT,2 X 12 WAY.....147, 149  
BOOT,BATTERY TERMINAL,RED.....113  
BOOT,JOYSTICK.....151, 153  
BOOT,SOLENOID,29073.....81

- BOOT, TOGGLE SWITCH, SHORT\* .....51-52, 141, 143-144, 226  
 BOTTLE, COOLANT RECOVERY, 3.7\*\*\* .....71, 95-96  
 BOX, INSTRUCTION STORAGE .....137-138  
 BRACKET SWITCHGUARD .....199  
 BRACKET, GENERATOR MOUNT .....213  
 BRACKET, PANEL WIRE MOUNTING .....52  
 BRACKET, 1K OHM 10-TURN POT .....219  
 BRACKET, AIR CLEANER, MUFFLER .....69  
 BRACKET, AIR CLEANER, PAINTED .....89-90  
 BRACKET, AIR CLEANER/EXHAUST .....75  
 BRACKET, AIRLINE TO PLATFORM .....217  
 BRACKET, BOTTOM ROD SUPPORT .....121  
 BRACKET, FAN SHROUD, LH PAINTED .....69  
 BRACKET, FAN SHROUD, RH, PAINTED .....69  
 BRACKET, FILTER MOUNT .....81  
 BRACKET, FILTER MOUNT, PAINTED .....99, 113  
 BRACKET, FUEL PUMP PAINTED .....73  
 BRACKET, GENERATOR 12KW, PTD .....219, 225-226  
 BRACKET, GENERATOR MOUNT .....213  
 BRACKET, GENERATOR-DEUTZ .....213  
 BRACKET, HEAT SHIELD REAR, TME27 .....105  
 BRACKET, HEAT SHIELD, FRNT, TME27 .....105  
 BRACKET, HOSE CLAMP .....131  
 BRACKET, IGNITION COIL, TME27 .....107-108  
 BRACKET, LIMIT SWITCH, EXTEND .....123  
 BRACKET, LINCOLN WELDER, PNTD .....221  
 BRACKET, LOWER RAD, TME27 .....107-108  
 BRACKET, MAP SENSOR, PAINTED .....95-96  
 BRACKET, MUFFLER MOUNT, PAINTED .....89-90  
 BRACKET, MUFFLER SUPPORT PAINTD .....71  
 BRACKET, OSC. VALVE MOUNT .....29  
 BRACKET, PLATFORM HEATER OPT .....147, 149  
 BRACKET, POWER TO PLAT TBOX, PNT .....221  
 BRACKET, POWER TO PLAT, DOM .....215  
 BRACKET, POWER TO PLAT, UK .....215  
 BRACKET, PRECLEANER PAINTED .....205  
 BRACKET, RADIATOR SUP, TME27 .....105  
 BRACKET, RADIATOR SUPPORT PAINT .....89-90  
 BRACKET, RADIATOR SUPPORT PNTD .....69  
 BRACKET, RING GUARD .....203  
 BRACKET, SOLENOID PAINTED .....69  
 BRACKET, TOP ROD SUPPORT PAINT .....121  
 BRACKET, UPPER SUPPORT, TME27 .....107-108  
 BRACKET, V275S WELD LEADS .....221  
 BRACKET, WELD LEADS .....45-46  
 BRACKET, WELDER SUPPORT, PNT .....221  
 BRACKET, WELDER SUPPORT, PNT .....221  
 BRACKET, WIPER PNTD .....199  
 BRACKET-FUEL FILTER (52567) .....101  
 BRAKE DISC KIT (81383) .....25-26  
 BRAKE DISC, KIT (81381) .....23-26  
 BRAKE PORT HARDLINE .....45-46  
 BRAKE TUBING .....45-46  
 BRAKE, 900 IN\*LB .....46  
 BREATHER PIPE, TD 2011L041 .....87  
 BRIDGE, 50A FULL WAVE\* .....225-226  
 BRKT, AIR CLEANER ORIENTATION\*\* .....63, 71, 89-90, 95-96, 111  
 BRUSH 3/8 X 1/4 X 15/16(36928) .....225-226  
 BRUSH ASSEMBLY .....225-226  
 BRUSH BOX, ASSY, GEN .....219  
 BRUSH ENDBELL ASSEMBLY (89719) .....225-226  
 BRUSH HOLDER ASSY, 2500W GENER .....225-226  
 BULB, WORKLIGHT, 12V 35W .....191, 194  
 BUMPER, PLASTIC, 1.25 O.D. ....194, 235  
 BUMPER, BATTERY BOX & RAILS .....194, 197  
 BUMPER, RUBBER\*\*\* .....211  
 BUMPER, RUBBER, .75 X .50H, STUD .....55, 57, 113  
 BUMPER, RUBBER-1 X 1.25 .....55, 57, 81, 113  
 BUSHING, FUEL TANK FITTING (SM) .....36, 39, 41  
 BUTTON, PUSH, BLACK W/SEAL \*\*\* .....141, 143-144  
 BUTTON, PUSH, RED MUSHROOM HEAD .....51-52, 141, 143-144
- C**
- CABLE COVER, JIB\*\*\* .....127-128  
 CABLE SQUEEZE CONN .....219  
 CABLE STAY .....123  
 CABLE STAY, TOP\*\*\* .....123  
 CABLE TIE, 11.5" BLACK .....221  
 CABLE TIE, 4" BLK, HEAT RESISTNT .....138  
 CABLE TRACK LOWER MOUNT, SS .....123  
 CABLE TRACK UPPER MOUNT, SS .....123  
 CABLE TRACK, SS, 70 LINKS .....123  
 CABLE TRACK, STEEL, 70 LINKS .....123  
 CAP ASSY, COOLANT BOTTLE\*\*\* .....71, 95-96  
 CAP, COOLANT RET SYS(54071) .....67, 89-90  
 CAP, OIL FILLER-GM 3.0L ENGINE .....89-90  
 CAP, SIDE OIL FILL, PERKINS .....61  
 CAP, DIAGNOSTIC NIPPLE .....155, 159, 177, 179, 181, 183-184  
 CAP, DISENGAGE, 4HP/4HB\*\*\* .....24-26  
 CAP, DUST .....21  
 CAP, FILLER BREATHER, 3 MICRON\*\* .....35-36, 39, 41  
 CAP, FUEL, DIESEL, 1/8" VENT (GRN) .....41  
 CAP, FUEL, GAS, 1/8" VENT (RED) .....35-36, 39  
 CAP, OIL FILL, TME27 .....105  
 CAP, OIL FILLER, DEUTZ F4L913 .....77  
 CAP, OIL FILLER, PERKINS .....63  
 CAP, RADIATOR, PERKINS/FORD .....67, 69, 89-90  
 CAP, RADIATOR, TME27 .....107-108  
 CAP-DISTRIBUTOR, GM 3.0L .....89-90  
 CAPACITOR, TIME DELAY .....143-144  
 CASTING, DRV. CHAS. COUNTERWEIGHT.45-46  
 CASTING, SAE 4 PUMP MOUNT, MACHI .....73, 89-90  
 CASTING, WASHER, REBOUND, PAINTED.103, 107-108  
 CBV ASSEMBLY .....45-46  
 CIRCUIT BREAKER, 50A, 3P .....219  
 CLAMP SLEEVE UHMW .....121  
 CLAMP, 3 INCH .....87  
 CLAMP, HOSE (53883) .....65  
 CLAMP, 0.50, #8 X 1/4, RUB CUSH .....101, 211  
 CLAMP, 0.63, #10 X 1/4, RUB CUSH .....83-84, 107-108  
 CLAMP, 0.75, #12 X 1/4, RUB CUSH .....105, 107-108  
 CLAMP, 1.00, #16 X 1/4, RUB CUSH .....221  
 CLAMP, 1.00, #16 X 7/16, RUB CUSH .....111  
 CLAMP, 1.13, #18 X 3/8, RUB CUSH\* .....219  
 CLAMP, 1.25X.5 RUBBER-CUSHION .....209, 235  
 CLAMP, 1.63, #26 X 3/8, RUB CUSH .....111, 131  
 CLAMP, 1.75, #28 X 3/8, RUB CUSH\* .....31, 35-36, 101, 127-128  
 CLAMP, 1.88, #30 X 1/4, RUB CUSH .....69  
 CLAMP, 1.88, #30 X 3/8, RUB CUSH .....39  
 CLAMP, 2.25, #36 X 3/8, RUB CUSH .....39  
 CLAMP, 2.5, #40 X 1/4, RUB CUSH .....71  
 CLAMP, 5.38, #86 X 3/8, RUB CUSH .....205  
 CLAMP, AXLE EXTEND HOSE .....17, 29, 31  
 CLAMP, CABLE TRACK HOSE PAINTED .....123  
 CLAMP, CABLE TRACK WELD CABLE .....123  
 CLAMP, FORD MUFFLER, PAINTED .....101  
 CLAMP, HOSE 2 5/16-3 1/4 .....63, 205  
 CLAMP, HOSE, .50 .....105, 107-108  
 CLAMP, HOSE, 1.25\*\*\* .....207  
 CLAMP, HOSE, 1.75 .....95-96, 103  
 CLAMP, HOSE, 2.00\*\*\* .....69, 71, 95-96, 101, 111  
 CLAMP, HOSE, 2.25" DIA .....67, 89-90, 103  
 CLAMP, HOSE, 2.50"\*\*\* .....95-96, 99, 107-108, 111  
 CLAMP, HOSE, 3.00" .....69, 87, 93, 205, 207  
 CLAMP, HOSE, 3.50 .....83-84, 87, 207  
 CLAMP, HOSE, 5.00 .....205  
 CLAMP, HOSE, 8.50 DIA\*\*\* .....207  
 CLAMP, HOSE, SIZE .25 TO .63 .....35-36, 39, 41, 71  
 CLAMP, HOSE, SIZE .31 > .91 .....121  
 CLAMP, JIB HOSE/CABLE .....131  
 CLAMP, JIB HOSE/CABLE, ARCTIC .....131  
 CLAMP, MUFFLER, 2.50 INCH .....69, 84, 99, 111  
 CLAMP, MUFFLER, 1-7/8 IN .....99, 107-108  
 CLAMP, MUFFLER, 1.75 INCH .....95-96  
 CLAMP, PLASTIC HOSE\*\*\* .....123  
 CLAMP, RUB CUSH, 0.75, #12 X 3/8\* .....61  
 CLAMP, TWO HOSE .....131  
 CLAMP, WORKLIGHT .....194  
 CLAMP-HEAVY DUTY .....75  
 CLEVIS YOKE 1/4-28, PLTD W/PIN .....29, 63, 69, 81, 83-84  
 COIL ASSY, IGNITION, TME27 .....107-108  
 COIL IGNITION, TME27 .....107-108  
 COIL WIRE, GM 3.0 .....89-90  
 COIL, 12V, 19972/21623/29069 .....167-168  
 COIL, ELECTRONIC IGN., FORD .....101, 103  
 COIL, 10V .....167-168  
 COIL, 10V DC (D10, 26 WATT) .....168  
 COIL, 10V DC, DEUTCH W/DIODE\*\*\* .....173  
 COIL, 12V .....168  
 COIL, 12V, DO1 VALVE .....225-226  
 COIL, GREEN W/ 2 PIN CONNECTOR\* .....165, 167-168, 171, 173  
 COIL, SOLENOID VALVE\*\*\* .....165  
 COIL-10V DC\*\*\* .....219  
 COIL-IGNITION/GM 3.0L ENGINE .....89-90  
 COLD START PKG, 110V, DEUTZ .....231  
 COLD START PKG, 110V, PERKINS .....231  
 COLD START PKG, CONTINENTAL .....231  
 COLD START PKG, DEUTZ, BIG BOOM .....231  
 COLD START, FORD, BIG BOOM .....231  
 COLD START, PERKINS .....231  
 COLLAR, JOYSTICK, CENTER .....153  
 COMPR. LINK, MACHINED, ENG SD\*\*\* .....127-128

## Part Description Index (continued)

C O M P R . L I N K , M A C H I N E D , G N D CONTR*.....127-128	COVER SUPPORT WELDMENT LH.....55	DECAL,ARROW YELLOW LRG 9".....11-12, 15
CONN RECEPT,FLANGED.....147, 149	COVER, JIB HOSES/CABLES.....131	DECAL,CAUTION,SHUTOFF VALVES.....15
CONN, SAE#4-1/4" NPT.....219	COVER,ASSY,DR CHASSIS REAR S80.....23- 26	DECAL,CHEVRON RANDO HD.....12
CONN,090136-20-16.....35-36, 39, 41, 183-184	COVER,ASSY,DRIVE CHASSIS FRONT.....21, 33	DECAL,COMPARTMENT ACCESS.....11-12
CONN,520102-16.....183-184	COVER,BLANK.....215	DECAL,COSMETIC,4 X 4.....11-12, 15
CONN,520102-6-6.....35-36, 39, 41, 184	COVER,BOOM SECTION #1 PNTD.....119	DECAL,COSMETIC,GENIE S-80.....11-12, 15
CONN,520120-10-12.....223	COVER,CONTROL BOX LEFT SIDE***.....197	DECAL,COSMETIC,GENIE S-85.....11-12, 15
CONN,520120-16.....183-184	COVER,CONTROL BOX RIGHT SIDE**.....197	DECAL,COSMETIC,S80.....11-12, 15
CONN,520120-16-20.....35-36, 39, 41, 183-184	COVER,FLYWHEEL CASTING.....87	DECAL,COSMETIC,S85.....11-12, 15
CONN,520120-20.....184	COVER,FOOT SWITCH.....136-138	DECAL,DANGER DO NOT ALTER SWTC.....11-12
CONN,520120-4***.....177, 179, 183-184, 187, 189	COVER,FRONT INNER AXLE.....17, 31	DECAL,DANGER,ELEC.HAZ.STAY CLR.....11- 12, 15
CONN,520120-4-6***.....177, 187, 189	COVER,GFCI,HORIZONTAL,WEATHER..215, 219	DECAL,DANGER,GEN SAFETY RULES....11- 12
CONN,520120-8***.....179, 181, 187, 189, 223, 229	COVER,HSE&CBL DLX HOSTILE.....199, 201	DECAL,DANGER,HIGH VOLTAGE.....219, 221
CONN,520120-8-10.....183-184, 229	COVER,LOWER CONT BOX,GRAY,PTD....197	DECAL,DANGER,MAX LOAD 227 KG.....15
CONN,520120-8-12.....179, 181, 223	COVER,PROTECTIVE,JIB CYLINDER.....207	DECAL,DANGER,MAX LOAD 340 KG.....15
CONN,8 POS PLUG 120 AC/15A.....225-226	COVER,PROTECTIVE,LIFT CYLINDER.....207	DECAL,DANGER,MAX LOAD 600 LBS.....15
CONN,ALT,3WAY,PERKINS 804.....71	COVER,PROTECTIVE,MASTER W/JIB.....207	DECAL,DANGER,MAX SIDE FRC,667N.....15
CONN,BULKHEAD,520601-8.....179, 181	COVER,PROTECTIVE,OSC.CYLINDER.....207	DECAL,DANGER,NO SMOKING***.....11-12, 15
CONN,BULKHEAD,520801,-8.....179, 181	COVER,PROTECTIVE,SLAVE W/JIB.....207	DECAL,DANGER,SIDE FRC 400N.....15
CONN, LONG,520122-12***.....179	COVER,PROTECTIVE,STEER CYL.....207	DECAL,DANGER,TILT ALARM***.....11-12
CONN,RECEP 120AC/15A DOMESTIC.....57	COVER,PROTECTIVE,TIE ROD CYL.....207	DECAL,DANGER,TIP-OVER,TIRES***.....11- 12
CONN,RECEP 24 WAY,W/FLANGE.....51-52	COVER,REAR AXLE S80 PAINTED.....23-26, 29	DECAL,DANGER,TIP-OVER,WELDER**....221
CONN,RECEP 4 WAY,12-14GA FL***.....51- 52, 147, 149	COVER,REWORK,DEUTZ GENERATOR...213	DECAL,DANGER,TIPOVER,AXLES.....11-12
CONN,RECEP 40 WAY,W/FLANGE.....51-52	COVER,ROTATION GEAR.....45-46	DECAL,DIESEL.....11-12, 15
CONN,RECEP 48 WAY,4 X 12.....51-52, 147, 149	COVER,SUPPORT WELDMENT,LH.....55	DECAL,DRIVE ENABLE PATCH.....15
CONN,SQUEEZE,1/2NPT .38-.50,SM.....51- 52, 57, 215, 219	COVER,WEATHERPROOF 3-PHASE.....221	DECAL,ENG.SPECS,CONTINENTAL.....12
CONN,SQZ,BLK,1/2NPT,.38-.50,SM.....136- 138	COVER,WELDER GENERATOR.....219	DECAL,ENGINE SPEC,DEUTZ,TD2011.....12
CONN. ASSY,7.9 TUBE X6.35 HOSE.....101	COVER-TURNTABLE W/DECALS S80.....59	DECAL,EXPLOSION HAZARD.....12
CONNECTOR,010102-6-4.....107-108	COVER-TURNTABLE W/DECALS S85.....59	DECAL,FIRE EXTINGUISHER.....221
CONNECTOR,520102-20-16.....184	CROSS OVER TUBE (63200, 63201).....121	DECAL,FUSE AND RELAY TME27.....12
CONNECTOR,520120-20-16.....184	CTWT,CAST,4400 LBS,LH.....59	DECAL,GROUND CONTROL PANEL.....12, 15
CONNECTOR,BULKHEAD,FEMALE-4.....19, 29	CTWT,CAST,4400 LBS,RH.....59	DECAL,INSTR,MAX SIDE FRC,ANSI.....11-12
CONT FAN GUARD FT W/WORD DECAL.....107-108	CTWT,CAST,4800 LBS,LH.....59	DECAL,INSTR,SIDE FRC/WIND,AUS.....11-12
CONT RADR ASSY W/WORD DECAL.....107- 108	CYLINDER HEAD CVR.DEUTZ F4L913.....79	DECAL,INSTR,STRUCT,FOOTSWITCH OPER.....11-12
CONTACT,N.O.....141, 143-144	CYLINDER, LIFT, S80.....115	DECAL,LABEL,113 DB.....15
CONTACT,NC.....51-52, 141, 143-144	CYLINDER,AXLE EXTENSION S80.....19, 29	DECAL,LABEL,AIRLINE 110 PSI.....11-12, 15, 217
CONTACTOR,LIMIT SWITCH**.....115, 123	CYLINDER,JIB (STICK BOOMS).....127-128	DECAL,LABEL,ALC BOARD 89353.....11-12
CONTACTOR-LIMIT SWITCH.....45-46, 115, 117	CYLINDER,MASTER***.....115	DECAL,LABEL,ALC S80***.....11-12
CONTROL BOX COVER ASSY***.....197	CYLINDER,OSCILLATE***.....19	DECAL,LABEL,CONTROLS BATTERY.....12
CONTROL BOX COVER,LID,PTD.....197	CYLINDER,SLAVE,3 X 11.38***.....125, 127- 128	DECAL,LABEL,LIGHTS***.....15
CONTROL BOX W DECAL,GRND.....51-52	CYLINDER,STEER.....17, 31	DECAL,LABEL,LIQUID PROPANE.....11-12, 15
CONTROL MODULE,(GCP),TME27.....111	CYLINDER,TIE ROD, S80/S85.....17, 31	DECAL,LABEL,LOWER MIDRAIL...12, 15, 138
CONTROLLER,GLOW PLUG (53883).....113		DECAL,LABEL,MANUAL NOT HERE.....11-12
COOLANT MOUNT W/DECAL FORD.....95-96		DECAL,LABEL,STARTER BATTERY.....12
COOLANT RETURN SYSTEM,Z45***.....67, 89-90		DECAL,LABEL,TIRE PRESS HF S80.....15
CORROSION INHIBITOR,FOAM.....52		DECAL,LABEL,TIRE PRESSURE S80.....15
COUNTERWEIGHT CASTING S85 JIB.....45- 46		DECAL,LABEL,TRANSPORT DIAGRAM.....12
COUPLER, PUMP / MOTOR (36179).....43		DECAL,LABEL,UNLEADED GAS ONLY.....11- 12, 15
COUPLER,15 TOOTH,FBA,SAE8***.....73, 87		DECAL,LABEL,WHEEL LOAD S80.....12, 15
COUPLER,HUB,15 TOOTH 7/16BOLT*.....61, 73, 87, 103		DECAL,LABEL,WHEEL LOAD S85.....12, 15
COUPLER,HUB,15 TOOTH DEUTZ 913.....77		DECAL,LANYARD ANCHORAGE POINT...11- 12, 15
COUPLER,HUB,6 TOOTH GM 3.0L.....89-90		DECAL,NOTICE,FUNCTION ENABLE*.....11- 12
COUPLER,HUM,15T X 50T.....111		DECAL,NOTICE,DEUTZ ENG SPEC.....12
COUPLING (106113).....219		DECAL,NOTICE,DEUTZ ENG SPECST2.....12
COUPLING, 28MM (106113).....219		DECAL,NOTICE,FORD ENG SPECS T2.....12
		DECAL,NOTICE,GM 3.0 ENG SPEC.....12

## D

DECAL FAULT CODE.....12
DECAL KIT W/WORDS S80/85.....11-12
DECAL KIT, SYMBOLS, S80/85.....15
DECAL LBL ALC500 S80 LEG V201.....147, 149
DECAL OPTION,NIKKEN,GS68.....225-226
DECAL PLATE ASSY W/WORD DECALS.....138
DECAL PLATE W/DECALS,S80/85 2K.....137- 138
DECAL PLATE W/SYM DECAL S80Z80...137- 138
DECAL PLATE W/WRD DECAL S80Z80..137- 138
DECAL, ENGINE SPEC, PERKINS.....12
DECAL, PATCH, GEN,ALC-500.....11-12, 15, 221, 226
DECAL,ARROW BLUE.....11-12, 15



DECAL,NOTICE,HAZARDOUS MAT'LS*....11-12	ELBOW,90 DEGR,RUBBER,2.5" I.D.*....63, 71, 93, 111, 205	FILTER ASY,M PRESS,SAE8,WOIND*.....63, 81, 99, 113
DECAL,NOTICE,HF TIRES-S80/S85.....12	ELBOW,90D,1/8 NPT X #4 JIC.....19, 29	FILTER ELEMENT,10 MICRON,60508.....35-36, 39, 41
DECAL,NOTICE,MAX LOAD 500 LBS.....11-12	ELBOW,90D,520220-12-16.....223	FILTER ELEMENT,AIR,NOLFF LPG.....95-96, 111
DECAL,NOTICE,MAX LOAD 600 LBS.....11-12	ELBOW,90D,520220-4-4.....181, 183-184, 189, 229	FILTER HEAD (29560).....77, 84
DECAL,NOTICE,MAX LOAD 750 LBS.....11-12	ELBOW,90D,520220-6.....177, 183-184	FILTER, FUEL LRG 425/423 EFI.....35-36
DECAL,NOTICE,OPERATING INST.IC.....12	ELBOW,90DEG, .63 HS X.375 MPT.....95-96	FILTER, GAS, SAE J2044 FITTING.....39
DECAL,NOTICE,PERKINS ENG SPEC.....12	ELBOW,90DEG,5502-04-04-B.....107-108	FILTER, OIL, FORD.....99, 103
DECAL,NOTICE,SHUTOFF VALVES.....11-12	ELBOW,90DEG,1/4MPT-3/8 BARB.....71, 105	FILTER,AIR CLEANER, SUPERBOOM.....75, 83-84
DECAL,NOTICE,TIRE PRESSURE.....11-12	ELBOW,90DEG,1/8MPT-5/16 BARB.....71, 95-96, 111	FILTER,AIR***.....63, 71, 89-90
DECAL,OPTION CONTROL BOX HEATR.....147, 149	ELBOW,AIR INTAKE,RUBBER.....83-84	FILTER,ELEMENT,BETA(5)=1000.....63, 81, 99, 113
DECAL,PLAT.CONTROL PANEL,S80.....12, 15	ELBOW,INLET,CUMMINS.....75	FILTER,FUEL,PERKINS.....63
DECAL,POWER TO PLATFORM 115V.....11-12, 15	ELEC. CONTROL MODULE, GM BB.....93	FILTER,FUEL/WATER SEPARATOR***.....63, 75
DECAL,POWER TO PLATFORM 230V.....11-12, 15	ELEMENT,FUEL/WATER SEPARATOR.....71	FILTER,FUEL/WTR SEP, DTZ 1008.....84
DECAL,PROTECTOR,CLEAR***.....12, 207	ELEMENT,OIL FILTER,PERKINS***.....69	FILTER,OIL, DEUTZ F4L913.....77
DECAL,SYMBOL-COMP ACCESS.....15	ENCLOSURE,GENERATOR BOX.....215	FILTER,OIL,DEUTZ F4L1011F.....84
DECAL,SYMBOL-READ THE MANUAL.....15	END COVER O-RING,WHEEL DRIVE.....24-26	FILTER,OIL,DEUTZ,REPLACEMENT.....84
DECAL,T3 ENGINE SPEC.PERKINS.....12	END COVER,WHEEL DRIVE ***.....24-26	FILTER,OIL,FORD.....99, 103
DECAL,T3 ENGINE SPEC.PERKINS.....12	END STOP, DIN RAIL,SCREW CLAMP.....49	FILTER,OIL,PERKINS 704-30 (BB).....63
DECAL,TRIANGLE,BLUE.....11-12, 15	ENGINE COOLANT TEMP SENSOR GM...89-90	FILTER,RETURN,ASSY 10 MICRON.....35-36, 39, 41
DECAL,TRIANGLE,YELLOW.....11-12, 15	ENGINE KIT, DEUTZ TD2011L04i.....83-84	FILTER-FUEL, GM 3.0L ENGINE.....35-36, 89-90
DECAL,WARN,CRUSH HAZARD HAND...11-12	ENGINE MOUNT FOOT,LH PNTD.....99	FILTER-LPG, GM 3.0L ENGINE.....89-90
DECAL,WARN,CRUSH HAZARD PLAT.....11-12, 15	ENGINE MOUNT FOOT,RH PNTD.....103	FILTER-OIL,GM 3.0L ENGINE.....89-90
DECAL,WARN,FALL HAZARD.....11-12	ENGINE MOUNT W/DECAL PERKNS T1.....67	FIRE EXTINGUISHER.....221
DECAL,WARN,IMPROPER OPERATION...11-12	ENGINE MOUNT,FRONT,DEUTZ PAINT.....81	FIRE SLEEVE, 1.25".....221
DECAL,WARN,WARNING,CRUSHING HAZARD.....15	ENGINE MOUNT,LEFT FRONT,TME27....107-108	FITTING PLUG,#8.....105
DECAL,WARNING,CRUSHING HAZARD.....15	ENGINE MOUNT,LF PAINTED.....69	FITTING,1/4 NPT X SAE J2044.....39, 105
DECAL,WARNING,WELDER SAFETY.....219, 221	ENGINE MOUNT,LR PAINTED.....69	FITTING,CONN,520120-12.....179, 181, 183-184, 223
DECAL,WARNING,WELDER SAFETY.....219, 221	ENGINE MOUNT,LR,DEUTZ 913 PNT.....81	FITTING,CONN,520120-6.....35-36, 41, 177, 183-184
DEUTZ AIRBOX WITH WORD DECAL.....83-84	ENGINE MOUNT,LR,GM 3.0 PAINTED.....93	FITTING,CONN,520120-6-8***.....177, 179
DIAGNOSTIC FEMALE Q-DSCNT.....155, 159, 177, 179, 181, 183-184	ENGINE MOUNT,REAR,TME27.....105	FITTING,ELBOW,45D,520320-12***.....179, 181, 183-184, 223, 229
DIN RAIL,17".....49	ENGINE MOUNT,RF PAINTED.....73	FITTING,ELBOW,90D,520220-12.....183-184, 229
DIODE ASSEMBLY.....51-52	ENGINE MOUNT,RIGHT FRONT,TME27....105	FITTING,ELBOW,90D,520220-6-8**.....177
DIODE,6 AMP,200 PIV,BULK.....225-226	ENGINE MOUNT,RR.....73	FITTING,ELBOW,90D,520220-8***.....183-184, 229
DIP STICK TUBE ASSY.....69	ENGINE MOUNT,RR,DEUTZ 913 PNT.....81	FITTING,OIL PAN BREATHER,TME27.....107-108
DIPSTICK (53883).....63	ENGINE MOUNT,RR,GM 3.0 PAINTED.....93	FITTING,PCV TO VLV COVER,TME27.....107-108
DIPSTICK - DEUTZ F4L1011F.....84	ENGINE PERFORMANCE MODULE T2.....95-96	FITTING,STR,1/8NPT X 3/16 HB.....105
DIPSTICK,CONTINENTAL,TME27.....105	Engine Pivot Tray Assembly.....87	FITTING,TEE,BRANCH,520429-4***.....179, 181
DIPSTICK,DEUTZ F4L913.....77	ENGINE TRAY ASSY W/BEARINGS.....113	FITTING,TEE,RUN,SWIVEL520432-4.....223
DIPSTICK-F3L1011F (DEUTZ).....84	ENGINE TRAY PIVOT ASSEMBLY.....113	FITTINGS, LIFT PUMP INLET PORT.....63
DISTRIBUTOR/GM 3.0L ENGINE.....89-90	EXHAUST MANIFOLD,FORD TIER II.....103	FIXED END BRACKET.....123
DOOR LATCH,BASE CONTROL BOX.....197	EXHAUST PIPE ASSEMBLY, FORD.....95-96	FLAP,SWING CHASSIS COVER.....199, 201
DRAIN PLUG.....45-46	EXHAUST PIPE GASKET.....83-84	FLASHTUBE,STRAIGHT,360DEG,BULB....191
Drive Pump (refer to 707.1).....84	EXT.CYL.MOUNTING PIN WLDMT.....117	FLASHTUBE,U SHAPED,360DEG,BULB...191
	EXTENDING ROD.....121	FLEX PIPE,EXHAUST,2.5" DIA.....87
	EXTENSION CYL ASSY,S80/85.....121	FLEX PLATE,COUPLER (64079).....103
	EXTRUSION,RUBBER BUMPER STRIP....35-36, 39, 41	FLOORING, 6'FT PLATFORM.....136-138
		FLOORING, 8'FT PLATFORM.....136-138
		FLOORING,4 FT PLATFORM,PAINTED...136-138
		FLOORING,5 FT PLATFORM,PAINTED...136-138
		FLYWHEEL CONTINENTAL TME27.....105
		FLYWHEEL DRIVE PLATE,SAE 10.....77

## E

EDC ASSY,SAUER M46.....175  
 ELBOW,1/2"H X 3/8"P,TME27.....107-108  
 ELBOW,130239-4-4.....95-96, 105  
 ELBOW,140239-16-16.....35-36, 39, 41, 183-184  
 ELBOW,45 DEG,INLET.....75  
 ELBOW,45 DEGR,RUBBER,2.5" I.D.....93, 99  
 ELBOW,45D,140339-16.....183-184  
 ELBOW,45D,520320-12-16.....184, 223  
 ELBOW,45D,520320-16.....183-184  
 ELBOW,45D,520320-4.....177, 183-184, 187, 189  
 ELBOW,45D,520320-6.....177  
 ELBOW,45D,520320-8.....187, 189  
 ELBOW,90 DEG,3/8NPT X 1/2 FNPT.....95-96

## F

FAN - VENTED.....233  
 FAN KIT ,GM 3.0 ENGINE.....89-90  
 FAN SHROUD, PAINTED.....67  
 FAN SPACER,29.7MM.....105  
 FAN, LSG423/LRG425.....95-96  
 FAN, PERKINS (53883).....65  
 FAN, PERKINS 804C-33.....69  
 FAN, TME2.7L ENGINE.....105  
 FEMALE BULKHEAD CONNECTOR-8.....217  
 FILM,POLY,CLEAR,4.5 X 8.75.....12, 15  
 FILTER / FUEL / SPIN-ON.....77  
 FILTER ASSY,HIGH PRESS SAE-12\* .....81, 99, 113

## Part Description Index (continued)

- FLYWHEEL FLANGE,AUTO STYLE GM.....89-90  
 FLYWHEEL FLANGE,GREEN PLASTIC.....61, 73, 87, 111  
 FOAM PAD.....209  
 FORMING, BRKT, WIPER 1 TO 2.....201  
 FORMING, BRKT, WIPER 2 TO 3.....201  
 FORMING, SOLENOID MOUNT\*\*\*.....84  
 FORMING,8.5' MUFFLER MOUNT.....73, 87  
 FORMING,AIR CLEANER MOUNT PNTD.....87  
 FORMING,AIR CLEANER MOUNT,PTD.....111  
 FORMING,AIR INTAKE BRACKET.....67  
 FORMING,BAFFLE PLATE COVER.....205  
 FORMING,BELT GUARD PAINTED.....73  
 FORMING,CENTER COVER.....59  
 FORMING,DRIVE ENABLE SWITCH.....45-46  
 FORMING,ECM MOUNT PAINTED.....99  
 FORMING,ENGINE MOUNT PAINTED.....83-84  
 FORMING,FAN GUARD,FORD,PAINTED...95-96  
 FORMING,FRONT AXLE HOSE BH,RH.....31  
 FORMING,FRONT AXLE HOSE CLAMP....17, 31  
 FORMING,FRONT AXLE HOSE PAINT.....31  
 FORMING,GEN.TENSIONING PAINTED...213  
 FORMING,GENERATOR MOUNT PAINTD.....213  
 FORMING,GENERATOR MOUNT\*\*\*.....213  
 FORMING,HEAT SHIELD.....95-96  
 FORMING,HEAT SHIELD,EXH PIPE.....111  
 FORMING,HEAT SHIELD,FORD.....95-96  
 FORMING,HEAT SHIELD,MUFFLER.....84  
 FORMING,HEAT SHLD SUPPORT,PTD.....96  
 FORMING,HINGE SUPPORT PAINTED.....55, 57  
 FORMING,INTAKE BAFFLE.....59  
 FORMING,INTAKE BAFFLE PAINTED.....83-84  
 FORMING,INTAKE BAFFLE,DEUTZ.....83-84  
 FORMING,INTAKE TUBE BRCKT,PTD.....111  
 FORMING,LATCH,CTRL BOX LID PTD.....197  
 FORMING,LH MUFFLER SUPPORT PNT.....101  
 FORMING,LIMIT SWITCH PAINTED.....117  
 FORMING,MUFFLER CLAMP, PAINTED...101  
 FORMING,MUFFLER MOUNT.....84  
 FORMING,PERKIS GEN.BRKT.PAINT.....213  
 FORMING,RAD.BAFFLE,FORD S80.....59  
 FORMING,RAD.BAFFLE,FORD S80 P.....95-96  
 FORMING,RADIATOR BAFFLE,PTD.....111  
 FORMING,RADIATOR SUP PNTD.....103  
 FORMING,RADIATOR SUPPORT,LH.....101  
 FORMING,REGULATOR MOUNT PAINTD.....215  
 FORMING,RH MUFFLER SUP PAINTED...101  
 FORMING,SOLENOID MOUNT.....84  
 FORMING,TANK TRAY PAINTED.....35-36, 39, 41  
 FORMING,THROTTLE ARM DEUTZ.....81  
 FORMING,THROTTLE ARM PAINTED.....83-84  
 FREEZE PLUG HEATER,GM 3.0L.....89-90  
 FREEZE PLUG HEATER,PERKINS 804.....231  
 FUEL FILTER W/SEP,DEUTZ,1008.....84  
 FUEL LIFT PUMP/FILTER ASSY.....71  
 FUEL LINE,INJECT.1DEUTZ F4L913.....77  
 FUEL LINE,INJECT.2DEUTZ F4L913.....77  
 FUEL LINE,INJECT.3DEUTZ F4L913.....77  
 FUEL LINE,INJECT.4DEUTZ F4L913.....77  
 FUEL PRESSURE REG,425EFI\*\*\*.....101  
 FUEL PUMP,TME 2.7L ENGINE.....39  
 FUEL RAIL, TME27.....105  
 FUEL RETURN,DAPCO 1/4".....41  
 FUEL RETURN,DAPCO 5/16".....36, 39, 41  
 FUEL TANK,H/D PLASTIC W/DECAL.....35-36, 39  
 Function Pump (refer to 707.1).....84  
 FUSE,.6AMP,250V,WELDER,V275S.....221  
 FUSE,13 AMP,220V PLUG.....57
- G**
- GAS STRUT,250 LBS FORCE\*\*\*.....55, 57  
 GASKET, (226127).....69  
 GASKET, BREATHER PIPE (226104).....87  
 GASKET, EXHAUST MANFLD/GM 3.0L.....90  
 GASKET, THERMOSTAT (53883).....65  
 GASKET, UK POWER TO PLAT.....215  
 GASKET, WATER PUMP.....103  
 GASKET,CYL HEAD COVER, TME27.....105  
 GASKET,CYL.COV. DEUTZ F4L913.....79  
 GASKET,EXAUST,DEUTZ F4L913.....75  
 GASKET,EXH FLANGE-PERKINS54555.....96, 111  
 GASKET,EXHAUST 2INCH,2BOLT.....105  
 GASKET,EXHAUST FORD TIER II.....95-96, 103  
 GASKET,GBOX,S80/85 2008.....52  
 GASKET,MANIFOLD,COOLANT,TME27.....111  
 GASKET,MUFFLER PERKINS(53883).....61, 93  
 GASKET,PCV FITTING,TME27.....107-108  
 GASKET,PLATFORM CONTROL BOX.....141, 143-144  
 GASKET,THERM.HSNG O-RING.....103  
 GASKET,TIMMING CASE COVER.....65  
 GASKET,WATER OUTLET/GM 3.0L.....89-90  
 GASKET-PUMP WATE,PERK 804D-33T.....69  
 GASKET-THERMOSTAT/GM 3.0L ENGI.....89-90  
 GATE LATCH CASTING--DRILLED.....194  
 GAUGE,MED.PRESSUR FILTER,50530.....35-36, 39, 41  
 GAUGE,OIL PRESSURE W/O SENDER.....231  
 GAUGE,OIL TEMP.....231  
 GAUGE,VOLTAGE.....231  
 GAUGE,WATER TEMP.....231  
 GAUGE-SIGHT,LHA-LGTB\*\*\*.....35-36, 39, 41  
 GEN,HYD,3000W,110V,60HZ.....225-226  
 GENERATOR,12.5 KW,W/O MOTOR\*\*\*.....219  
 GENERATOR,2500W HYD.220/50HZ.....225-226  
 GENERATOR,3000W,220V,50HZ\*\*\*.....213  
 GENERATOR,3500W,120V,60HZ\*.....213  
 GENERATOR,HYDRO-12KEP-21-3\*\*\*.....219  
 GFCI,50A, 3PH.....219  
 GFI/CIRCUIT BREAKER ASSEMBLY.....219  
 GLOW PLUG,DEUTZ F4L913.....79  
 GM 3.0, LP REGULATOR.....89-90  
 GM OUTBOARD RADIATOR MT W/DECA.....89-90  
 GROMMET,RUBBER .75 X .19 X 1\*.....39  
 GROMMET,RUBBER .75 X .38 X 1.13.....113  
 GROMMET,RUBBER 3 X .13 X 3.25.....75  
 GUARD,FAN REAR,TME27.....107-108  
 GUARD,FAN,FRONT,TME27.....107-108  
 G U A R D , F O O T S W I T C H , W / D E C A L ALUM.....136-138  
 GUARD,JIB HOSE.....127-128
- H**
- HALF MESH,8'PLATFORM,LH.....235  
 HALF MESH,8'PLATFORM,RH\*\*\*.....235  
 HARN JOYSTICK ADAPTOR JS100.....151, 153  
 HARN,ENG,CONT,TME27,S80/85.....111  
 HARNESS #8AWG ALT.TO STARTER.....93  
 HARNESS, BAT1 TO BAT3 GND.....113  
 HARNESS, DUAL BATT, PERKINS.....69  
 HARNESS, DUAL BATT,CONTINENTAL.....105  
 HARNESS, HYD GENERATOR.....219  
 HARNESS, TME27 ENGINE,EPA2006.....111  
 HARNESS, WELD GEN ENCLOSURE.....219, 225-226  
 HARNESS,#12AWG GND GBOT TO APU.....51-52  
 HARNESS,#8AWG BATT TO SEPERATR.....61  
 HARNESS,18/19,BOOM CABLE 1,JIB.....149  
 HARNESS,18/19,BOOM CABLE 1,NJ.....147  
 HARNESS,18/19,BOOM CABLE 2 JIB.....149  
 HARNESS,18/19,BOOM CABLE 2 NJ.....147  
 HARNESS,ALARM,S80/85.....59  
 HARNESS,BAT1+ TO SEPARATOR AUX.....113  
 HARNESS,BAT2+ TO SEPARATR MAIN.....113  
 HARNESS,BAT2- TO SEPARATOR GND.....113  
 HARNESS,BOOM ANG/RET LIMIT,S80.....51-52  
 HARNESS,CONTINENTAL ENG,TME27....105  
 HARNESS,DEUTZ ENGINE,913.....75  
 HARNESS,DEUTZ ENGINE,BF4L2011.....83-84  
 HARNESS,DEUTZ ENGINE,F4L913.....75  
 HARNESS,DEUTZ TIMER MOD S80.....83-84  
 HARNESS,DRIVE LIGHT OPT.....191  
 HARNESS,ENGINE W/RELAY BOX T2.....95-96, 99  
 HARNESS,FORD ENGINE,EFI,2004.....95-96  
 H A R N E S S , G B O X , F U N C T I O N MANIFOLD.....51-52  
 HARNESS,GENERATOR W/REG.220V.....215  
 H A R N E S S , G E N E R A T O R W/REGULATOR.....215  
 HARNESS,GM ENGINE.....93  
 HARNESS,GND,BATT 1 TO BATT 2.....61, 75  
 HARNESS,GROUND BOX WIRING.....51-52  
 HARNESS,JIB,BIG BOOM.....143-144  
 HARNESS,L.S.OPERATIONAL,ANGLE.....115  
 HARNESS,L.S.SAFETY,BOOM ANGLE.....115  
 HARNESS,L.S.SAFETY,BOOM EXT/RE.....123  
 HARNESS,LMT SWITCH,BOOM EXT/RE..117  
 HARNESS,PERKINS ENGINE.....61, 69  
 HARNESS,PLUG,NON-LOAD WEIGHING..49  
 HARNESS,QDCON,12V TO PLAT,JIB.....149  
 HARNESS,QDCON,12V TO PLAT,NJ.....147  
 HARNESS,SERVICE,PBOX J1,S80.....141, 143-144  
 HARNESS,SERVICE,PBOX J2,S80.....141, 143-144  
 HARNESS,SERVICE,PBOX J3,S80.....141, 143-144  
 HARNESS,STARTER RELAY TME27.....111  
 HARNESS,TME27 STARTER RELAY.....105  
 HARNESS,WORKLIGHT OPT.....193-194  
 HEAT SHIELD INJECTOR,TME27.....105

- HEAT SHIELD,FUEL RAIL,TME27.....105  
 HEATER,FREEZE PLUG,FORD LRG423...231  
 HF SAND TIRE,S80/85.....21  
 HINGE CASTING.....194  
 HINGE,.375X.120THK.,SLOTTED.....55, 57  
 HINGE,PLAT CONTROL BOX COVER.....197  
 HOOK,BATT HOLD DOWN,10".....113  
 HORN,12VDC,SPADE TERMINALS\*\*\*.....43  
 Hose Assembly - Components: Genie part numbers 111819, 119492 and 71909 @ 135 inches.....39  
 HOSE ASSEMBLY 1" 100R4.....183-184  
 HOSE ASSEMBLY 3/4" STR-STR.....183-184  
 HOSE ASSEMBLY, 1".....183-184  
 HOSE ASSEMBLY, 1/4".....187, 189  
 HOSE ASSEMBLY,1/2".....217  
 HOSE ASSEMBLY,1/4.....177, 183-184  
 HOSE ASSEMBLY,1/4".....187, 189  
 HOSE ASSEMBLY,3/4",-10-12 90F.....223  
 HOSE ASSEMBLY,3/8".....177, 179, 181, 183-184  
 HOSE ASSEMBLY,LP GAS,106"LG.....95-96  
 HOSE ASSEMBLY,LP GAS-86" LNG\*\*.....35-36, 39  
 HOSE ASSEMBLY-1/2" 100R2.....179, 181  
 HOSE ASSEMBLY-3/8" 100R2.....177  
 HOSE ASSY 1",STR FEM,STR FEM.....183-184  
 HOSE ASSY 1/4,90 DEG FEM,STR F.....229  
 HOSE ASSY 1/4,90 FEM STR FEM.....179, 181  
 HOSE ASSY 3/8, STR FEM,STR FEM.....177  
 HOSE ASSY, 1/4",90 F,STR F.....223  
 HOSE ASSY,1",90 FEM STR FEM.....183-184  
 HOSE ASSY,1.25",90 FEM,STR FEM.....184  
 HOSE ASSY,1/2,45 FEM,STR FEM.....181  
 HOSE ASSY,1/2,90 FEM,STR FEM.....179, 181, 183-184, 223, 229  
 HOSE ASSY,1/2,90 FEM,STR FEM.....179, 181  
 HOSE ASSY,1/2,STR FEM,STR FEM.....181, 187, 189  
 HOSE ASSY,1/4,45 FEM STR FEM.....189  
 HOSE ASSY,1/4,45 FEM,STR FEM.....189  
 HOSE ASSY,1/4,45 FEM,STR FEM\*\*.....179, 181  
 HOSE ASSY,1/4,90 FEM,STR FEM.....177, 179, 181  
 HOSE ASSY,1/4,90 FEM,STR FEM\*\*.....179, 181  
 HOSE ASSY,1/4,90 FEM,STR FEM.....177, 179, 181  
 HOSE ASSY,1/4,STR FEM,STR.....19, 29  
 HOSE ASSY,1/4,STR FEM,STR FEM.....177, 179, 181, 183-184, 187, 189  
 HOSE ASSY,3/4" 90 FEM STR FEM.....183-184  
 HOSE ASSY,3/4" HYD,45F,STRF.....223  
 HOSE ASSY,3/4,45 FEM,STR FEM.....183-184, 229  
 HOSE ASSY,3/4,90 FEM,STR FEM.....181, 183-184, 223  
 HOSE ASSY,3/4,90 FEM,STR FEM\*\*.....179, 181  
 HOSE ASSY,3/4,STR FEM,STR FEM.....179  
 HOSE ASSY,3/8" 90 FEM STR FEM.....177  
 HOSE ASSY,3/8"100R2,STR F,STRF.....177  
 HOSE ASSY,DEUTZ OIL DRAIN 1/2".....75  
 HOSE ASSY,OIL DRAIN,TME27.....105  
 HOSE ASSY,SAE 2260/J2044,2END.....39  
 HOSE ASSY,SAE J2260/J2044,2END.....39  
 HOSE END,BARB,1/4 MNPTX5/16,90.....71  
 HOSE END,BARBED,RIGID,-6-6.....35-36, 41  
 HOSE END,BARBED,SWIVEL,JIC,8-8.....75  
 HOSE GUIDE, JIB.....131  
 HOSE, UPPER RADIATOR.....95-96  
 HOSE, WATER PUMP (53383).....65  
 HOSE,1/4 FUEL LINE,SAE 30R7.....41  
 HOSE,1/4 VACUUM.....101  
 HOSE,2.0 ID X 2.0" LG.....99, 101  
 HOSE,3/4,LP.....95-96, 101  
 HOSE,3/8",FUEL,30R7.....35-36, 41, 71  
 HOSE,5/16 FUEL,SAE 30R7.....36, 41, 71  
 HOSE,90DEG 2.5" AIR INTAKE.....93, 205  
 HOSE,AIR CLEANER TO INTAKE.....95-96  
 HOSE,AIR CLEANER TO MIXER.....111  
 HOSE,AIR INTAKE 2.50" I.D.....63  
 HOSE,AIR INTAKE 2.50" ID.....69  
 HOSE,FUEL,3/16,SAE 30R7.....41  
 HOSE,FUEL,5/16 HIGH PRESSURE\*\*.....35-36, 101  
 HOSE,HUMP 3" TO 4".....205  
 HOSE,LOWER RADIATOR, TME27....107-108  
 HOSE,LOWER RADIATOR,Z45.....95-96  
 HOSE,RADIATOR,LOWER,PERKINS.....69  
 HOSE,RADIATOR,UPPER,PERKINS.....69, 71  
 HOSE,UPPER RADIATOR, TME27.....108  
 HOSE,UPPER RADIATOR,Z45.....103  
 HOUR METER,10-80 VOLTS\*\*\*.....51-52  
 HOUSING,PUMP MOUNT (64079).....103  
 HOUSING,THERMOSTAT (53883).....65  
 HOUSING,WORKLIGHT\*\*\*.....191, 194  
 HRNESS, ENGINE, GM BIG BOOM.....93  
 HUB ASSY W/RACES.....21  
 HUB RACE,INNER.....21  
 HUB RACE,OUTER.....21  
 HYDRAULIC MOTOR 3000W GENER.....225-226  
 HYDRAULIC TANK ASSY,S40/80\*\*\*.....35-36
- I**
- INJECTOR,FUEL W/ORINGS GM3.0L.....93  
 INJECTOR,FUEL,CONT,TME2.7L.....105  
 INJECTOR,FUEL,DEUTZ F4L913.....77  
 INJECTOR,LPG W/ORINGS GM3.0L.....93  
 INLET REDUCER, TD 2011L04I.....87  
 INNER AXLE,REAR MACHINED.....23-26, 29  
 INTAKE BOX W/DECAL DEUTZ T1S80.....75  
 INTAKE BOX W/DECAL DEUTZ T2S80.....83-84  
 ISOLATOR, TWO-PIECE.....81  
 ISOLATOR,AIR FILTER MOUNT.....89-90, 101  
 ISOLATOR,ENGINE VIBRATION.....71, 81, 84, 93  
 ISOLATOR,ENGINE VIBRATION\*\*\*.....103, 107-108  
 ISOLATOR,RADIATOR, TME27.....107-108  
 ISOLATOR,VIB, 32 X 32 M8-1.25.....105  
 ISOLATOR,VIBRATION,LG,RD&WH\*\*\*.....67  
 ISOLATOR,VIBRATION,M8 M/M.....107-108  
 ISOLATOR,VIBRATION,M8 MALE/FEM.....69  
 ISOLATR KIT, RUBBR, 2 KW GENERATR.....225-226
- J**
- JIB BOOM ASSY W/WORD DECAL.....131  
 JOYSTICK.....141, 143-144  
 JOYSTICK CONNECTOR ASSEM,AMP...141, 143-144  
 JOY ST I C K C O N N E C T O R ASSEM,DEUT.....141, 143-144  
 JOYSTICK W/HARN ADPTR KIT RCKR.....151  
 JOYSTICK W/HARN ADPTR, 1 AXIS.....151  
 JOYSTICK W/HARN ADPTR, 2 AXIS.....151  
 JOYSTICK,1 AXIS ROCKER,DEUTSCH.....153  
 JOYSTICK,1 AXIS,DEUTSCH.....153  
 JOYSTICK,2 AXIS,DEUTSCH.....153  
 JOYSTICK,DUAL AXIS W/KNOB.....153  
 JOYSTICK,SINGLE AXIS W/KNOB.....153  
 JOYSTICK,SINGLE AXIS W/STEER.....153  
 Jumper Harness.....101  
 JUMPER,THROTTLE BODY,FORD 2.5L.....95-96, 99
- K**
- KEY SINGLE\*\*\*.....51-52  
 KEY,LATCH, 1 PAIR (28125).....55, 57  
 KEYS,10 PACK\*\*\*.....51-52  
 KEYSWITCH,3 POS. W/KEYS\*\*\*.....51-52  
 KIT, AUX TOP RAIL SUPPORT.....193-194  
 KIT, BATT SEPARATOR, ANSI/CSA.....113  
 KIT, BATT SEPARATOR, AS.....113  
 KIT, BATT SEPARATOR, CE.....113  
 KIT, FOOTSWITCH, S40/S60/S80.....136-138  
 KIT, HEAT GUARD, DEUTZ STARTER.....87  
 KIT, SEAL, PUMP, 2 SECTION.....175  
 KIT,BRAKE PIST & SPRI (111090).....24-26  
 KIT,BRAKE PISTON & SPRINGS.....25-26  
 KIT,BRAKE SPRING.....46  
 KIT,BRAKE SPRING\*\*\*.....45-46  
 KIT,CABLE TRAK FLAT BAR.....123  
 KIT,CLOSING CAP.....24-26  
 KIT,CLOSING COVER.....24-26  
 KIT,CLOSING COVER (102719).....25-26  
 KIT,CONTROL BOX COVER.....197  
 KIT,DISC BRAKE (102711).....24-26  
 KIT,DISC BRAKE (102719).....25-26  
 KIT,FBA STYLE COUPLER,SAE8.....73, 87  
 KIT,FIELD INSTALL,SWING GATE.....194  
 KIT,FRICION DISC.....46  
 KIT,FRICION DISC\*\*\*.....45-46  
 KIT,GASKET,UK POWER TO PLAT.....215  
 KIT,LOADSENSE,UPGRD,S80/85.....211  
 KIT,O-RING (102711).....24-26  
 KIT,O-RING (102719).....25-26  
 KIT,OP SWITCH,DEUTZ.....84  
 KIT,PANEL CRADEL BRACKET,WORD.....209  
 KIT,PANEL CRADLE BRACKET,SYMBL.....209  
 KIT,PANEL CRADLE,CE.....209  
 KIT,PIN & RING\*\*\*.....123  
 KIT,PIN (102711).....24-26  
 KIT,PIN (102719).....25-26  
 KIT,SEAL,PUMP 81103.....175  
 KIT,SERVICE,SOLENOID MODULE.....81, 83-84  
 KIT,SLAVE CYL & EXT CYL PINS.....117  
 KIT,SLAVE CYL PIN.....125  
 KIT,SWING BRAKE REBUILD.....46  
 KIT,SWING BRAKE REBUILD\*\*\*.....45-46  
 KIT,SWING GATE W/SPRING.....194  
 KIT,WELD LEADS ASSY,V275S.....221  
 KNOB,JOYSTICK, 62390/62391.....151, 153  
 KNOB,ROCKER JOYSTICK 75565.....151, 153

## Part Description Index (continued)

**L**

LANYARD, PLATFORM CONTROL BOX...141, 143-144  
 LARGE FOOT SWITCH COVER.....194  
 LATCH, SLIDE, FLUSH MOUNT STYLE.....197  
 LATCH, T-HANDLE, 5 SIDED W/KEYS\*.....55, 57  
 LENS, AMBER, STROBE, FIREBOLT.....191  
 LEVEL SENSOR, LS60, YL, 2.5X4.5.....41  
 LEVEL, BUBBLE, 2 DEGREE \*.....23-26  
 LEVER ALTERNATOR, (53883).....65  
 LEVER, GOVERNOR ACTUATOR, PTD\*\*\*.....83-84  
 LID ASSY, CONTROL BOX COVER PLT.....197  
 LIGHT, LED IND. RED 12V NH.....51-52, 141, 143-144  
 LOAD SUPPORT W/BEARINGS.....211  
 LOCK, RECEP 12 WAY, 14-18GA.....147, 149  
 LOCK, RECEP 4 WAY, 12-14GA.....51-52, 147, 149  
 LOCK, RECEP 4 WAY, 14-18GA.....147, 149  
 LOCKNUT, ELEC, 1/2".....51-52, 57, 147, 149, 215, 219  
 LOCKNUT, ELECTRIC, 1" NPT.....219  
 LOCKOFF, LP, FORD DSG-423.....107-108  
 LP TANK BRACKET TALL W/LDMNT.....35-36, 39  
 LPG REGULATOR (GM 3.0L).....89-90

**M**

MAGNETIC SPEED SENSOR, GM 3.0.....89-90  
 MALE PIPE THD, 1/4" SER, 3/8"X18.....217  
 MANIFOLD, AXLE DUMP.....171  
 MANIFOLD, AXLE SELECT.....165  
 MANIFOLD, BRAKE/2 SPD W/QD PLUG.....165  
 MANIFOLD, BRAKE/MOTOR SHIFT\*\*\*.....165  
 MANIFOLD, COOLANT, TME27.....111  
 MANIFOLD, DRIVE OIL DIVERter\*\*\*.....219  
 MANIFOLD, EXHAUST, TME27.....105  
 MANIFOLD, FUNCTION AND DUMP.....167-168, 171  
 MANIFOLD, FUNCTION S80/85.....171  
 MANIFOLD, GENERATOR.....225-226  
 MANIFOLD, JIB SELECT W/QD PLUG.....173  
 MANIFOLD, JIB SELECT W/QD PLUG\*.....173  
 MANIFOLD, ROTATOR, CB\*\*\*.....173  
 MANIFOLD, SWING CB & BRAKE.....46  
 MANIFOLD, TRACTION, 2WD.....157  
 MANIFOLD, TRACTION, 4WD\*\*\*.....163  
 MANIFOLD-EXHAUST/GM 3.0L ENGIN.....90  
 MANUAL BOX W/DECALS\*\*\*.....137-138  
 MAP SENSOR, EFI.....95-96  
 MARKING TAGS, # 1-10, WIELAND.....49  
 MARKING TAGS, # 11-20, WIELAND.....49  
 MARKING TAGS, # 21-30, WIELAND.....49  
 MARKING TAGS, # 31-40, WIELAND.....49  
 MARKING TAGS, # 41-50, WIELAND.....49  
 MEGAJECTOR, FUEL KIT.....101  
 MESH, HALF, LH, 6' PLATFORM.....235  
 MESH, HALF, RH, 6' PLATFORM.....235  
 MESH, HALF, SWING GATE\*\*\*.....235  
 MIDRAIL GUIDE (HOOK).....138  
 MIXER, AIR VALVE, TIER II FORD\*\*.....99, 101  
 MIXER, TME 2.7L, ENGINE.....111  
 MODULE, IGNITION/START, 12/24V.....49  
 MODULE, LOAD SENSE 2007.....211  
 MODULE, SX CONTROLLER, LOW AMP.....219  
 MODULE, TIME DELAY ON BREAK 4S.....49

MODULE, TIME DELAY ON BRK 30S.....83-84  
 MOTOR, 12VDC, 77066.....43  
 MOTOR, HYD 12.5KW GEN, 21CC\*\*\*.....219  
 MOTOR, HYDRAULIC GENERATOR.....225-226  
 MOTOR, PISTON, 2 SPEED, 45CC.....23-26  
 MOTOR, PISTON, 2 SPEED, 45CC 2WD.....23-26  
 MOTOR, PISTON, HYD, 45CC/19.5CC.....23-26  
 MOTOR, TURNTABLE ROTATE\*\*.....46  
 MOUNT, AXLE EXTEND HOSE CLAMP.....29  
 MOUNT, SWITCH.....211  
 MOUNTING BAND, AIR CLEANER.....75, 83-84  
 MOUNTING BAND, MUFFLER, 8.0".....111  
 MOUNTING O-RING (75367).....77  
 MOVING END BRACKET.....123  
 MPT, CPLR, 1/4"SER, 3/8"X18.....217  
 MUFFLER BRACKET, PAINTED.....61  
 MUFFLER, PERKINS.....61  
 MUFFLER, 2.5"INLET/OUTLET.....69, 84  
 MUFFLER, CATALYTIC, 2.5 I/O.....69, 84  
 MUFFLER, CATALYTIC, CONTINENTAL.....111  
 MUFFLER, CATALYTIC, DEUTZ\*F4L913.....75  
 MUFFLER, DEUTZ, F4L913.....75  
 MUFFLER, SPARK ARREST, 2.5 I/O.....69, 84  
 MUFFLER, SPARK ARRESTING, GM.....90

**N**

NIPPLE, 1/8 NPT X 2, PLATED.....19  
 NIPPLE, DIAGNOSTIC.....177  
 NIPPLE, DIAGNOSTIC, #4 PORT\*\*\*.....155, 159  
 NIPPLE, DIAGNOSTIC, #6 PORT\*\*\*.....177, 179, 181, 183-184  
 NIPPLE, PIPE, LONG 1/8 X 1.5.....29  
 Number 1 Boom Tube Assembly with Decal (refer to 501.1).....201  
 Number 2 Boom Tube.....201  
 Number 3 Boom Tube.....201  
 Number Marking Tags, 131-140.....49  
 NUT - PLASTIC, RING FOR ALARMS.....59, 141, 143-144, 191  
 NUT ASSY (89769)\*\*\*.....165  
 NUT, CP521-1 VALVE.....225-226  
 NUT, HEX FLANGE M 8 X 1.25.....105  
 NUT, CLINCH, 10-32 X 1.....107-108  
 NUT, HEX, M6.....105  
 NUT, HEX, 1-8.....59  
 NUT, HEX, 1/4-28.....29, 63, 81  
 NUT, HEX, 5/16-18, GR5.....61  
 NUT, HEX, 7/16-14.....213  
 NUT, HEX, JAM, 1.25-7.....17, 31  
 NUT, HEX, JAM, 3/4-10.....45-46  
 NUT, HEX, M10, ALTER. DEUTZ F4L913.....79  
 NUT, HEX, M8 X 1.25.....71  
 NUT, LOCK, HEX, M10.....111  
 NUT, LOCKING-LG. FLANGE, 5/16-18.....89-90, 96, 101, 107-108, 111  
 NUT, LOCKING-LRG. FLANGE, 3/8-16.....111  
 NUT, LP NYLOCK, 1/2-13.....121  
 NUT, LP NYLOCK, 1/4-20.....35-36, 39, 41, 67, 81, 121, 194, 197, 199, 209, 219  
 NUT, LP NYLOCK, 3/8-16.....67, 81, 113, 136-138, 209  
 NUT, LP NYLOCK, 5/16-18.....55, 57  
 NUT, LUG, 3/4-16 X 7/8 RADIUS.....21  
 NUT, M6, BLOWER, DEUTZ F4L913.....79  
 NUT, M6, FUEL PUMP, DEUTZ F4L913.....77  
 NUT, M8, ALTERNATOR, DEUTZ F4L913.....79

NUT, MUFFLER PERKINS 10MM.....61  
 NUT, NYLOCK, 1-8.....45-46, 125, 133  
 NUT, NYLOCK, 1/2-13.....99, 103, 107-108, 111, 219, 226  
 NUT, NYLOCK, 1/4-20.....29, 43, 55, 57, 67, 69, 73, 75, 83-84, 89-90, 93, 95-96, 101, 107-108, 111, 113, 123, 127-128, 131, 138, 194, 199, 201, 203, 205, 211, 235, 237  
 NUT, NYLOCK, 10-24.....29, 83-84  
 NUT, NYLOCK, 10-32.....45-46, 49, 55, 57, 95-96, 115, 117, 123, 141, 143-144, 147, 149, 191, 215  
 NUT, NYLOCK, 3/8-16.....17, 19, 29, 31, 35-36, 39, 41, 43, 45-46, 59, 69, 71, 73, 83-84, 87, 93, 95-96, 99, 101, 103, 107-108, 111, 113, 115, 121, 123, 125, 127-128, 131, 137-138, 205, 211, 213, 215, 219, 221, 225-226, 233, 235, 237  
 NUT, NYLOCK, 5/16-18.....55, 57, 63, 69, 81, 87, 89-90, 95-96, 101, 111, 113, 213, 219, 221  
 NUT, NYLOCK, 5/8-11.....67, 71, 81, 84, 93  
 NUT, NYLOCK, 6-32.....51-52, 147, 149  
 NUT, NYLOCK, M5X.80.....63, 69  
 NUT, NYLOCK, M8X1.25.....69, 107-108  
 NUT, SOLENOID.....219  
 NUT, SOLENOID VALVE.....165, 167-168, 173  
 NUT, SOLENOID, 2POS 3WAY...167-168, 171, 173  
 NUT, SPINDLE, 2.00-12.....21  
 NUT, TOP LOCK, 1/2-13.....69, 84  
 NUT, WING, 1/4-20.....113  
 NUT-COIL SHORT.....173  
 NUTSERT, 1/4-20, STEEL CAD PLTD.....49, 52

**O**

O-RING.....25-26  
 O-RING & SHAFT(81381).....23-26  
 O-RING KIT (ORFS FITTINGS).....155, 157, 159, 161, 163, 167-168, 173, 177, 179, 181, 183-184, 187, 189  
 O-RING KIT, FIELD SVC, ALL PROD\*.....155, 157, 159, 161, 163, 167-168, 173  
 O-RING\*\*\*.....61, 175  
 O-RING, COVER (81381).....23-26  
 O-RING, DO1 VALVE.....168  
 O-RING, DISCONNECT ROD.....23-26  
 O-RING, DO1 VALVE.....167-168, 225-226  
 O-RING, FUEL LIFT PUMP.....83-84  
 O-RING, GEAR RING (81381).....23-26  
 O-RING, MOTOR, GREEN (81382).....23-26  
 O-RING, ROTATOR MANIFOLD.....173  
 O-RING, 2-157, VITON\*\*\*.....23-26  
 O-RING, 5-052, VITON\*\*\*.....23-26  
 O-RING, DIPSTICK DEUTZ (75372).....77  
 O-RING, DIPSTICK, DEUTZ F4L2011.....84  
 O-RING, DISCONNECT ROD (111060).....24-26  
 O-RING, FILTER ASSY (60334)\*\*\*.....81, 99, 113  
 O-RING, FUEL INJ. PUMP (75370).....77  
 O-RING, JOYSTICK, 62390/62391.....151  
 O-RING, MOTOR/BRAKE (88921)\*\*\*.....45-46  
 O-RING, MOTOR/BRAKE\*\*\*.....45-46  
 O-RING, OIL FILLER (75369).....77  
 O-RING, ORFS, -12.....219  
 O-RING, SEAL RING, 1" NPT.....219  
 O-RING, SPACER #115\*\*\*.....225-226  
 OIL COOLER W/FAN, 12VDC.....233

OIL FILLER CAP FOR LRG ENGINE.....103  
 OIL FILTER,TME 2.7L ENGINE.....105  
 OIL PAN HEATER,DEUTZ,120V,150W.....231  
 OIL PRESSURE SWITCH GM 3.0L.....89-90  
 OIL SEPARATOR.....107-108  
 OIL TEMP SENSOR(60323).....77  
 OPT,TOEBOARD,8'TRI ENTRY,EURO.....193-194  
 OPTION, SPARK ARREST.....83-84  
 OPTION,6' HALF MESH PLAT/GATE.....235  
 OPTION,8' HALF MESH PLAT/GATE.....235  
 OPTION,FULL GAUGE,CONTINENTAL.....231  
 OPTION,FULL GAUGE,FORD.....231  
 OPTION,FULL GAUGE,PERKINS.....231  
 OPTION,GAUGE,DEUTZ F3L 2011.....231  
 OPTION,GLAZIER PACKAGE,ANSI.....209  
 OPTION,OIL COOLER.....233  
 OPTION,PLAT SUPPORT,4/5FT SRV.....138  
 OPTION,PLATFORM CONTROL COVER...197  
 OPTION,ROCKER STEER.....141, 143-144  
 ORFICE, 0.040".....163  
 ORIFICE DISC,.030,CONE.....219  
 ORIFICE PLUG, 0.070".....157  
 ORIFICE,0.040".....161  
 OUTLET,110V GFCI\*\*\*.....215, 219

**P**

PAD,BOOM REST.....45-46, 59  
 PAD,REST,1"THICK,FLANGED.....209  
 PANEL, ENCLOSURE, LINCO WELDER.....219  
 PCV VALVE-GM 3.0L ENGINE.....89-90  
 PETCOCK,RADIATOR,1,4NPT.....107-108  
 PIN RETAINER,PRI.CYL.,BLUE.....115  
 PIN,0.75DIAX5.75LG,CHAMFER.....211  
 PIN,1.00DIAX2.88LG,1HOLE.....17, 31  
 PIN,1.00DIAX3.63LG,THREADED.....17, 31  
 PIN,1.25 X 13.25 IN,CHAMFER.....113  
 PIN,1.25DIAX14.45LG,2HOLE.....127-128  
 PIN,1.25DIAX3.37LG,1HOLE.....17, 31, 115  
 PIN,1.25DIAX5.25LG,1HOLE.....125, 128  
 PIN,1.25DIAX6.62LG,1HOLE.....115  
 PIN,1.25DIAX7.00LG,1HOLE.....127-128  
 PIN,1.25DIAX7.88LG,1HOLE.....127-128  
 PIN,1.25DIAX8.30LG,2RING.....117, 125, 127-128  
 PIN,1.25DIAX9.50LG,1HOLE.....125, 127-128  
 PIN,1.50DIAX11.43LG,2RING.....19  
 PIN,1.50DIAX13.43LG,2RING.....29  
 PIN,1.50DIAX14.41LG,2RING.....117  
 PIN,1.50DIAX4.38LG,1HOLE.....17, 31  
 PIN,1.50DIAX7.88LG,THREADED.....31  
 PIN,1.75 DIA X 9.00 LG.GES1362.....45-46  
 PIN,1.75DIAX10.75LG,1HOLE.....19  
 PIN,1.75DIAX4.50LG,THREADED.....19  
 PIN,2.50DIAX13.75LG,1HOLE.....115  
 PIN,2.50DIAX27.63LG,1HOLE.....19, 29  
 PIN,2.50DIAX29.13LG,1HOLE.....115  
 PIN,COTTER,,375 X 3.5.....21  
 PIN,LOCK,SHORT\*\*\*.....194  
 PIN,PRI.CYL./SWING CHASSIS.....115  
 PIN,TRANSPORT STORAGE HANDLE.....45-46  
 PINCH GUARD RAIL,6' PLATFORM.....193-194  
 PINCH GUARD RAIL,8' PLATFORM\*\*.....193-194  
 PIPE CRADLE ASSY. SERV (ONE)\*\* .....235  
 PIPE,EXHAUST WELDMNT.....71  
 PIPE,TAIL.....69

PISTON, BRAKE.....24-26  
 PLAT ASSEMBLY,4FT,ASIA/S AM.....137-138  
 PLAT ASSEMBLY,4FT,AUSTRALIA.....137-138  
 PLAT ASSEMBLY,5FT,ASIA/S AM.....137-138  
 PLAT ASSEMBLY,5FT,AUSTRALIA.....137-138  
 PLAT ASSEMBLY,6FT,ASIA/S AM.....137-138  
 PLAT ASSEMBLY,8FT,ASIA/S AM.....137-138  
 PLAT ASSY,5FT, USA/CANADIAN.....135-138  
 PLAT ASSY,6FT, USA/CANADIAN.....135-138  
 PLAT RAIL ASSY,6FT,AUSTRALIA.....137-138  
 PLAT RAIL ASSY,8FT,AUSTRALIA.....137-138  
 PLAT RAILW/DECALS 6FT 500LB AN.....137-138  
 PLAT RAILW/DECALS 8FT 500 ANSI.....137-138  
 PLAT RAILW/DECALS,4FT,500LB AN.....137-138  
 PLAT RAILW/DECALS,5FT,500LB AN.....137-138  
 PLAT.ASSY,4FT, AUSTRALIAN.....135-138  
 PLAT.ASSY,4FT, USA/CANADIAN.....135-138  
 PLAT.ASSY,4FT,S80 ASIA/S.AMERI.....136-138  
 PLAT.ASSY,4FT,S80 AUSTRALIAN.....135-138  
 PLAT.ASSY,4FT,S80 EUROPEAN.....136-138  
 PLAT.ASSY,4FT,S80 USA/CANADIAN.....135-138  
 PLAT.ASSY,5FT, AUSTRALIAN.....135-138  
 PLAT.ASSY,5FT,S80 ASIA/S.AMERI.....136-138  
 PLAT.ASSY,5FT,S80 AUSTRALIAN.....135-138  
 PLAT.ASSY,5FT,S80 EUROPEAN.....136-138  
 PLAT.ASSY,6FT, AUSTRALIAN.....135-138  
 PLAT.ASSY,6FT,S80 ASIA/S.AMERI.....136-138  
 PLAT.ASSY,6FT,S80 AUSTRALIAN.....135-138  
 PLAT.ASSY,6FT,S80 EUROPEAN.....136-138  
 PLAT.ASSY,8FT, USA/CANADIAN.....135-138  
 PLAT.ASSY,8FT,S80 ASIA/S.AMERI.....136-138  
 PLAT.ASSY,8FT,S80 AUSTRALIAN.....135-138  
 PLAT.ASSY,8FT,S80 EUROPEAN.....136-138  
 PLAT.CNTRL.BOX W/DECAL.....141, 143-144  
 PLATE, BACKING WIPER 1 TO 2.....201  
 PLATE, PUMP MOUNT, PAINTED\*\*\*.....61, 77  
 PLATE,AC ADAPTER,DIN/UK\*\*\*.....215  
 PLATE,AIR FILTER MOUNT,FORD.....101  
 PLATE,AXLE STOP PAINTED.....29  
 PLATE,BACKING WIPER 2 TO 3.....201  
 PLATE,BACKLASH ADJ.MACHINED.....45-46  
 PLATE,ENGINE MOUNT,PTD.....111  
 PLATE,FR AXLE STEER LUG MAC.....17, 31  
 PLATE,JIB,ROTATE MANIFOLD.....138  
 PLATE,LATCH,BLUE,PAINTED.....55, 57, 81  
 PLATE,PUMP MOUNT,SAE 4.....111  
 PLATE,STEER LUG,PAINTED.....17, 31  
 PLATFORM ASSEMBLY,4FT,CE/UK.....137-138  
 PLATFORM ASSEMBLY,5FT,CE/UK.....137-138  
 PLATFORM RAIL ASSY, 6FT ANSI.....136-138  
 PLATFORM RAIL ASSY, 8FT, ANSI.....137-138  
 PLATFORM RAIL ASSY,6FT,CE/UK.....137-138  
 PLATFORM RAIL ASSY,8FT,CE/UK.....137-138  
 P L A T F O R M                                  S U P P O R T  
 WELDMNT-SERV\*.....138

PLUG AND CAP KIT-SERVICE,37ø\*\*.....157, 159, 161, 163, 167-168, 173  
 PLUG AND CAP KIT-SERVICE,ORFS\*.....155, 157, 159, 161, 163, 167-168, 173, 177, 179, 181, 183-184, 187, 189  
 PLUG ORIFICE, .042.....165  
 PLUG, ORIFICE, 0.035".....173  
 PLUG, SANTOPRENE .5 BLACK DOME.....51-52, 141, 143-144  
 PLUG,070109-8.....75  
 PLUG,4-WIRE,3-PHASE,50A.....221  
 PLUG,DOWEL,1/4 PLASTIC.....147, 149  
 PLUG,ELECTRICAL,220/50,NOVON.....57  
 PLUG,ELECTRICAL,DOMESTIC.....57  
 PLUG,ENGINE OIL, DEUTZ F4L913.....77  
 PLUG,FUSED,250V,13AMP,U.K.\*\*.....57  
 PLUG,HEX SOCKET,090109B-4.....46  
 PLUG,MAGNETIC,SAE-6\*\*\*.....35-36, 39  
 PLUG,NYLON 1.12 BLACK DOMED.....147, 149  
 PLUG,NYLON 2.093 BLACK DOMED.....51-52  
 PLUG,ORIFICE,0.070.....155  
 PLUG,PWR,UK,16AMP,3PIN,BLK.....57  
 PLUG,SQUARE HEAD,3/4 MPT.....35-36  
 PLUG,STEEL SOCKET,SAE090109B-6.....46, 63  
 POWER UNIT,AUX PUMP 12VDC.....43  
 PRECLEANER,AIR INTAKE.....205  
 PRECLEANER,INLINE 3".....205  
 PRIORITY FLOW CONTROL VALVE.....225-226  
 PULLEY KIT,PERKINS 804.....213  
 PULLEY, WATER PUMP (704-30).....65  
 PULLEY,CRANKSHAFT (53883).....65  
 PULLEY,CRANKSHAFT,TME27.....105  
 PULLEY,DEUTZ.....213  
 PULLEY,FORD ENGINE,LRG-423\*\*\* .....103  
 PULLEY,GENERATOR,FORD.....213  
 PULLEY,GM.....213  
 PULLEY,PERKINS.....213  
 PUMP ASSY,AUX.POWER UNIT 89617.....43  
 PUMP ASSY,DRIVE & FUNCTION.....175  
 PUMP M46 VAR.PISTON 2.8 C.I.....175  
 PUMP, AUX. POWER UNIT.....43  
 PUMP, FUEL, LRG425, WALBRO.....35-36, 95-96  
 PUMP, LIFT INLET PORT (53883).....63  
 PUMP, WATER, WITH GASKET.....103  
 PUMP,FUEL 2011 DEUTZ \*\*\* .....83-84  
 PUMP,FUEL GM 3.0 ENG. C282-238.....35-36, 89-90  
 PUMP,FUEL INJ, DEUTZ BF4L20.....87  
 PUMP,FUEL INJ,DEUTZ BF4L20.....87  
 PUMP,FUEL INJECTN.DEUTZ F4L913.....77  
 PUMP,FUEL LIFT DEUTZ F4L913.....77  
 PUMP,LIFT,2 SECTION\*\*.....175  
 PUMP,WATER,PERKINS 804D-33T .....69

**R**

RADIATOR HOSE, LOWER.....67  
 RADIATOR HOSE, UPPER.....67  
 RADIATOR HOSE,LOWER-GM.....89-90  
 RADIATOR HOSE,UPPER-GM.....89-90  
 RADIATOR MOUNT, LH, PAINTED.....67  
 RADIATOR MOUNT, RH PAINTED.....67  
 RADIATOR MOUNT,INBOARD,PAINTED....89-90  
 R A D I A T O R  
 MOUNT,OUTBOARD,PAINTD.....89-90

## Part Description Index (continued)

RADIATOR,CONTINTNTAL.....107-108	SCREW,FHS,M8 X 1.25 X 30.....105	SCREW,HHC,3/8-16 X 7.....123
RADIATOR,FORD/PERKINS***.....69, 95-96	SCREW,FLANGE,HHC,5/8-11X2,GR8.....23-26	SCREW,HHC,5/16-18 X .75.....95-96, 101, 111, 219
RADIATOR,PERKINS,GM.....67, 89-90	SCREW,FRONT FAN GUARD,TME27.....107-108	SCREW,HHC,5/16-18 X 1 GR5.....55, 57, 63, 67, 69, 81, 87, 111, 219
RAILING CATCH CASTING--DRILLED.....194	SCREW,HHC,1-8 X 11,GRD 5***.....125, 133	SCREW,HHC,5/16-18 X 1.25.....89-90, 96
REAR ENGINE MOUNT,PAINTED.....103	SCREW,HHC,1-8 X 15 GRD.2.....45-46	SCREW,HHC,5/16-18 X 1.50.....96, 107-108, 111
REAR TURNTABLE COVER W/SYM S80.....59	SCREW,HHC,1-8 X 6 GRD.5.....59	SCREW,HHC,5/16-18 X 1.75.....213
REAR TURNTABLE COVER W/SYM S85.....59	SCREW,HHC,1-8 X 8.5 GRD.2.....45-46	SCREW,HHC,5/8-11 X 2.25 GR8.....23-26
RECEPTCL,LOCK 3-PH,50A,4 WIRE.....221	SCREW,HHC,1/2-13 X 1.25 GR5.....23-26, 111, 115	SCREW,HHC,5/8-11 X 3.5 GRD.8.....71, 81, 83-84
RECTIFIER ASSEMBLY.....225-226	SCREW,HHC,1/2-13 X 1.5.....19, 29, 61, 73, 77, 84, 89-90, 101, 111	SCREW,HHC,5/8-11 X 4.0.....81
REDUCER,3" TO 2.75".....83-84	SCREW,HHC,1/2-13 X 1.5 GRD 8.....46	SCREW,HHC,5/8-11 X 4.0 GR8.....67, 93
REDUCER,RUBBER 3.0 - 2.5.....205	SCREW,HHC,1/2-13 X 1.75.....99	SCREW,HHC,7/16-14 X 1.75.....213
REGULATOR,FUEL PRESS. TME27.....111	SCREW,HHC,1/2-13 X 2 GR5.....111	SCREW,HHC,M10 X 1.5 X 140.....79
REGULATOR,LPG.....95-96	SCREW,HHC,1/2-13 X 2.5,GR5.....29	SCREW,HHC,M10 X 1.5 X70,GR 8.8.....84
REGULATOR,LPG(EPR),TME27.....107-108	SCREW,HHC,1/2-13 X 2.75.....103, 107-108, 219, 226	SCREW,HHC,M10 X 25MM,GR 8.8.....73, 105
RELAY MODULE(89996,89998).....81, 83-84	SCREW,HHC,1/2-13 X 3.....107-108	SCREW,HHC,M10 X 30MM.....61, 71, 73, 77, 87, 89-90, 95-96, 103
RELAY SOCKET,70AMP.....69, 83-84	SCREW,HHC,1/2-13 X.75.....45-46	SCREW,HHC,M10 X 40MM,GRD8.....101
RELAY, STARTER, Z45GP91.....103	SCREW,HHC,1/4-20 X .5.....81, 119	SCREW,HHC,M10 X 65MM,GR8.8.....213
RELAY,12VDC,70AMP,SEALED.....69, 83-84, 107-108	SCREW,HHC,1/4-20 X .625.....141, 143-144, 209	SCREW,HHC,M12 X 30.....65, 69, 93, 213
RELAY,OMRON,DPDT,12V.....49, 219	SCREW,HHC,1/4-20 X .75.....21, 25-26, 31, 33, 49, 51-52, 55, 57, 59, 63, 67, 69, 73, 81, 83-84, 89-90, 95-96, 99, 111, 113, 117, 131, 136-138, 194, 203, 211, 219, 235	SCREW,HHC,M12 X 35MM.....69, 73
RELAY,SOCKET,OMRON.....49, 219	SCREW,HHC,1/4-20 X 1.....35-36, 39, 41, 43, 55, 57, 63, 67, 69, 73, 83-84, 93, 99, 101, 107-108, 111, 113, 138, 197, 199, 201, 205, 211, 215, 237	SCREW,HHC,M12 X 45.....81
RELAY,SPDT,12V(AUTO) PLUG IN**.....49	SCREW,HHC,1/4-20 X 1.25.....55, 57, 75, 131	SCREW,HHC,M14 X 2 X 100.....81
RELAY,SPDT,12V(AUTO)**.....143-144, 147, 149	SCREW,HHC,1/4-20 X 1.5.....125, 127-128, 194	SCREW,HHC,M14 X 30.....67
RELIEF,VALVE 270 PSI.....219	SCREW,HHC,1/4-20 X 1.75.....99, 111	SCREW,HHC,M14 X 40MM,GR 8.8.....84, 87, 105, 213
RESISTOR ASSY, LINCOLN WELDER.....219	SCREW,HHC,1/4-20 X 2.....193-194	SCREW,HHC,M5 X 12MM.....101
RESISTOR,10 OHM,25 WATT.....147, 149	SCREW,HHC,1/4-20 X 2.25.....29, 123	SCREW,HHC,M6 X 1 X 20.....79
RETAINER,GAS SPRING***.....55, 57	SCREW,HHC,1/4-20 X 2.5.....121	SCREW,HHC,M6 X 16.....105
RETAINER,SPRING,1.21 X .375.....211	SCREW,HHC,1/4-20 X 2.75.....219	SCREW,HHC,M6 X 20MM,GR8.8...83-84, 101
RETAINER-N.C.PROPOR.SOLENOID.....167-168	SCREW,HHC,1/4-20 X 3.....123	SCREW,HHC,M6 X 25.....105
RETAINING RING.....225-226	SCREW,HHC,3/4-10 X 2.00,GR5.....115	SCREW,HHC,M8 X 1.25 X 120.....79
RING GEAR,FORD***.....103	SCREW,HHC,3/4-10 X 3 GRD.8.....17, 31	SCREW,HHC,M8 X 1.25 X 25.....205
RING RETAINING.....24-26	SCREW,HHC,3/4-10 X 4 FULL THRD.....45-46	SCREW,HHC,M8 X 1.25 X 30.....79
RIVET,ALUM,ALUM,3/16BUTTONHEAD.....197	SCREW,HHC,3/8-16 X .625.....123	SCREW,HHC,M8 X 20MM.....61, 69, 71, 101
RIVET,ALUM,ALUM,P,.25X.375.....197	SCREW,HHC,3/8-16 X .75.....17, 23-26, 29, 31, 59, 96, 117, 131, 233	SCREW,HHC,M8 X 30MM,GRD 8.8.....103
RIVET,STEEL,P,.25 X .375.....194	SCREW,HHC,3/8-16 X .88,GRD 8.....125, 133	SCREW,HHC,M8 X 50.....65
ROCKER ASSY,MAGNETIC 75565.....151, 153	SCREW,HHC,3/8-16 X 1.....17, 31, 35-36, 43, 59, 61, 67, 81, 83-84, 89-90, 95-96, 99, 103, 111, 113, 115, 117, 119, 121, 123, 233	SCREW,HHC,M8 X1.25X40,GRD10.9.....101, 103
ROCKER,RETAINER, 75565.....151, 153	SCREW,HHC,3/8-16 X 1.25 GRD 5.....35-36, 39, 43, 55, 87, 101, 107-108, 111, 113, 117, 119, 123, 136-138, 205	SCREW,HHC,M8X1.25X 70MM,GR8.8.....95-96, 101
ROD END,.250 X 2.75 LG.....211	SCREW,HHC,3/8-16 X 1.50,GR5.....19, 29, 31, 69, 71, 73, 93, 103, 123, 125, 127-128, 213, 215, 219	SCREW,PHIL,10-24 X .75.....136-138
ROD END,.375 X 2.25***.....17, 31, 115	SCREW,HHC,3/8-16 X 1.75,GRD.8.....17, 19, 31, 45-46, 213, 225-226	SCREW,PHIL,8-32X.50,SELF TAP.....215
ROD END,.375 X 3.69.....17, 19, 31, 113, 115, 125, 127-128	SCREW,HHC,3/8-16 X 2.....19, 29, 107-108, 111, 115, 131, 201	SCREW,PHIL,PHM,10-24 X.5,SEMS...69, 95-96
ROD END,.50 X 4.....19, 29, 115	SCREW,HHC,3/8-16 X 2.25.....19, 59, 67, 233	SCREW,PHIL,PHM,10-24X1.5 ZINC.....23-26
ROLLER ARM,LIMIT SWITCH***.45-46, 115, 117	SCREW,HHC,3/8-16 X 2.5.....19, 35-36, 39, 41, 111, 237	SCREW,PHIL,PHM,10-32 X .5,SSTL.49, 141, 143-144, 147, 149
ROLLER,ALUM TUBE,ST.TRK***.....123	SCREW,HHC,3/8-16 X 2.75.....101, 127-128, 225-226	SCREW,PHIL,PHM,6-32 X 1/4 SS.....147, 149
ROLLER,POLY,STEEL TRACK***.....123	SCREW,HHC,3/8-16 X 3.25.....127-128, 211	SCREW,PHILLIPS,PHM,10-32 X .75.....55, 57, 215
ROLLER,UHMW.....121	SCREW,HHC,3/8-16 X 3.5,GR5.....45-46	SCREW,PHILLIPS,PHM,10-32 X.625.....215
ROTATOR MOUNT KIT.....211	SCREW,HHC,3/8-16 X 3.75 GD 5.....121	SCREW,PHILLIPS,PHM,10-32 X1.25...95-96, 211
ROTATOR,PLAT JIB,160 DEG***.....127-128		SCREW,PHILLIPS,PHM,10-32X 1.75.....45-46
ROTATOR,PLAT,NON-JIB.....125		SCREW,PHILLIPS,PHM,6-32 X .5.....51-52, 147, 149
ROTOR-DISTRIBUTOR, GM 3.0L.....89-90		SCREW,REAR FAN GUARD,TME27.....107-108
RUBBER SLEEVES, TD 2011L04I.....87		SCREW,RHM,10-32 X 1.....191
		SCREW,RHM,10-32 X 1.25.....115, 117
		SCREW,RHM,10-32 X 1.75.....123
		SCREW,RHM,8-32 X .50.....221
		SCREW,SECURITY,1/4-20 X 1.75LG.....221
		SCREW,SECURITY,5/16-18X1.00.....221
		SCREW,SHC,1/2-13 X 1.25,A574.....25-26

## S

S80 DLX HOSTILE ENVIRONMENT.....201
S80 STD HOSTILE ENVIRONMENT.....199, 201
S80/85 LH COVER ASSY W/WRD DEC.....55
SCREW T-SWITCH PH/PH 6-32X1/4.....51-52, 141, 143-144
SCREW, PHM, #6-32 X .625 ZINC.....151, 153
SCREW,#10-32 X 5/8"L.....107-108
SCREW,10-24 X.5 TORX PAN HD***.....123
SCREW,BHSC,1/4-20 X 1.....194
SCREW,BLEEDER,M5X0.8.....125, 127-128
SCREW,FHS,3/8-16 X 2.25.....45-46, 59
SCREW,FHS,M8 X 1.25 X 16.....105

SCREW,SHC,10-32 X 1.....107-108	SEAL,SHAFT.....225-226	SPACER,BOOM TOP.....201
SCREW,SHC,3/4-10 X 3.00,A574.....45-46	SEAL,SHAFT (81381).....23-26	SPACER,BOTTOM ROD.....121
SCREW,SHC,5/16-18 X 2,PLATED.....46	SENDING UNIT,OIL PRESS PERKINS.....69	SPACER,ENGINE MOUNT,TME27.....107-108
SCREW,SHC,5/8-11 X 3.00,A574.....46	SENDING UNIT,OIL PRESS.,DEUTZ*.....84, 231	SPACER,FAN TO WATERPUMP LRG425.....95-96
SCREW,SHC,7/16-14 X 1.25.....103	SENDING UNIT,OIL PRESSURE***.....63, 99, 105, 231	SPACER,HEAT SHIELD,TME27.....105
SCREW,SHC,M10X1.5X20MM (75090).....73, 87	SENDING UNIT,TMP,FRD,GM,PRK704.....65, 71, 231	SPACER,HYD GEN MANIFOLD.....225-226
SCREW,SHC,M10X1.5X30 GR 12.9.....77, 84	SENDING UNIT,H20TMP LRG425EFI*.....103	SPACER,INSIDE.....121
SCREW,SHM,PHP, #12 X .75.....51-52, 147, 149	SENSOR COOLANT TEMP.....89-90	SPACER,NYLON,.718 X .526 X.219...225-226
SCREW,SHS,10-24 X .625.....29, 83-84	SENSOR,AIR TEMP,LRG-425 EFI***.....95-96	SPACER,OUTSIDE FRONT.....121
SCREW,SHS,3/8-16 X 3.50.....121	SENSOR,AIR,CAT MONITOR***.....95-96, 99	SPACER,OUTSIDE REAR.....121
SCREW,SHSH,M5XM16,ZINC.....63, 69	SENSOR,COOLANT TEMP*.....103	SPACER,PULLEY,DEUTZ GEN.....213
SEAL KIT.....161, 219	SENSOR,ENGINE TEMP,TME27.....107-108	SPACER,SIDE.....121
SEAL KIT (111090).....24-26	SENSOR,LEVEL,4.5 DEG.....35-36, 39, 41	SPACER,TOP ROD.....121
SEAL KIT (39345).....17, 19, 29, 31, 115, 121, 125, 127-128, 171, 173	SENSOR,O2,CAT MUFFLER,DISCH.....111	SPARK PLUG.....103
SEAL KIT (81383).....25-26	SENSOR,O2,EXH.COLL., PIPE.....107-108	SPARK PLUG WIRE SET, LRG425EFI.....103
SEAL KIT CYL.(63209).....115	SENSOR,OIL PRS KIT,VDO0360-040.....77	SPARK PLUG WIRE SET,GM 3.0.....89-90
SEAL KIT PWR WHL MOTOR.....46	SEPARATOR,DUAL BATTERY,100A.....113	SPARK PLUG WIRE,TME27.....105
SEAL KIT, 37185 PUMP.....43	SEPARATOR/FILTER,FUEL-D,30MIC.....63, 75	SPARK PLUG, NGK BPR5ES.....105
SEAL KIT, APU.....43	SERIAL # LABEL,MYLAR 4X8***.....11-12, 15	SPARK PLUG-GM 3.0L ENGINE.....89-90
SEAL KIT, BRAKE (81381).....24-26	SERVICE KIT JIB TIME DLY IC.....143-144	SPIDER (106113).....219
SEAL KIT, SOLENOID VALVE...159, 165, 167-168, 171, 173	SERVICE KIT, 5FT JIB, ARCTIC.....131	SPRING CLIP,1/4-20,.025-.15X.5.....21, 26, 33, 59, 69, 73, 83-84, 131, 136-138, 215
SEAL KIT, VALVE.....155, 159, 163, 167-168, 171	SERVICE KIT,5FT JIB.....127-128, 131	SPRING CLIP,10-24,ZINC.....23-26, 136-138
SEAL KIT, VALVE, #10.....155, 157, 159, 165, 167-168	SERVICE KIT,S80 PBOX J1 HARN...141, 143-144	SPRING CLIP,3/8-16.....55, 59, 67, 123, 233
SEAL KIT, VALVE, #12.....167-168, 225-226	SHAFT SEAL, APU.....43	SPRING, 7.030DX.558 IDX1.94 LG.....121
SEAL KIT,8K ROTATOR***.....125, 127-128	SHAFT,MOTOR.....225-226	SPRING, HELICAL, RH.....24-26
SEAL KIT,ARCTIC,ROTATOR 8.2K**.....125, 127-128	SHAFT,OUTPUT.....45-46	SPRING,1X.31 ODX.040WIRE,SS.....23-26
SEAL KIT,AXLE EXT. (81349).....19, 29	SHAFT,REPLACEMENT (81647).....175	SPRING,COMP,1" OD,232 LB/IN.....211
SEAL KIT,BRAKE***.....46	SHIM,AXLE ROTATION STOP,16G.....29	SPRING,DOWEL SLEEVE (81381).....23-26
SEAL KIT,CONTROL VALVE.....29	SHIM,AXLE ROTATION STOP,22G.....29	SPRING,JOYSTK CENTR,62390/91...151, 153
SEAL KIT,CYL (63210).....125, 127-128	SHIM,AXLE WEAR PAD.....29	SPRING,SWITCH CENTERING,75565.....151, 153
SEAL KIT,CYL,S65 (63213).....127-128	SHIM,AXLE WEAR PAD REAR.....29	STANDOFF,1/4X1/4 M-F 6-32 S/S.....147, 149
SEAL KIT,CYL,S80 (63200)**.....121	SHIM,AXLE WEAR PAD,FRONT.....19	STANDOFF,6-32 X 3/8L X 1/4 HEX.....147, 149
SEAL KIT,CYL,S80 (63204).....115	SHIM,PAD 2.0 X 4.0 X .06 THK.....19	STARTER MOTOR, PERKINS (53883).....61
SEAL KIT,DRIVE MOTOR***.....23-26	SHIM,PAD,5 X 3.....119	STARTER MOTOR,PERKINS(804C-33).....73
SEAL KIT,EXT CYL (63200)**.....121	SHIM,SIDE PAD 16GA. 3 X 5.....113, 117, 119	STARTER, 12V.....87
SEAL KIT,FAIRFIELD (S1A2)**.....46	SHIM,WEAR PAD,3 X 1.5, 16G.....19	STARTER, DEUTZ F4L913.....79
SEAL KIT,HYD MOTOR(106184).....219	SHIM,WEAR PAD,5 X 1.5,14GA.....117, 119	STARTER,ENGINE,FORD LSG/LRG***.....95-96, 103
SEAL KIT,MOTOR,LC/KC***.....23-26	SHIM,WEAR PAD,5X 1.5 16GA.....29, 117, 119	STARTER,GM 3.0L.....89-90
SEAL KIT,OSC CYLINDER (81330)*.....19	SHOCK MOUNT,SMALL.....69, 95-96, 103	STARTER,TME 2.7L ENGINE.....107-108
SEAL KIT,PLAT ROTATE***.....125, 127-128	SHROUD,DEUTZ,AIR INTAKE.....79	STEER ASSEMBLY YOKE 2WD,RH.....17
SEAL KIT,SAUER-DANFOSS M46***.....175	SHROUD,FAN,PERKINS PAINTED.....69	STEER YOKE ASSEMBLY 2WD,LH.....17
SEAL KIT,SOLENOID VALVE.....165, 171	SHROUD,RADIATOR,FORD LGR425,PA.....95-96	STEP PLATFORM ENTRY PAINTED.....136-138
SEAL KIT,SOLENOID VALVE, SV07.....173	SHROUD,RADIATOR,GM,PAINTED.....89-90	STRAINER ASSEMBLY,1.5" NPT....35-36, 41, 183-184
SEAL KIT,STEER CYL***.....17, 31	SHUTDOWN SOLENOID,12V, DEUTZ.....83-84	STRAINER,16 SAE F/24 SAE M.....35-36, 39, 41, 183-184
SEAL KIT,SUN "CWCA" CB VALVES*.....121	SLEEVE,CONNECTOR,DT JOYSTICKS.....153	STRAINER,20 SAE F/24 SAE M.....35-36, 39, 41, 184
SEAL KIT,SWING BRAKE.....46	SLIDING MIDRAIL KIT,PTD.....138	STRAINER,FILLER NECK.....35-36, 39, 41
SEAL KIT,SWING BRAKE***.....45-46	SNAP RING,EXTERNAL,1.25,ZAG...117, 125, 127-128	STRAP ASSY,TANK, 66 INCH.....35-36, 39, 41
SEAL KIT,SWIVEL (81384).....45-46	SNAP RING,EXTERNAL,1.50,ZAG.....19, 29, 117	STROBE,FIREBOLT,12-80VDC,AMB**.....191
SEAL KIT,TIE ROD(81993).....17, 31	SOL SPRING,SYNCHRO START 1751.....63	STUD (102711).....24-26
SEAL KIT,VALVE,#10.....168	SOLENOID,77066.....43	STUD,WHEEL,3/4-16.....21
SEAL, CONNECTOR (DT JOYSTICKS).....153	SOLENOID,GLOW PLUG,DEUTZF4L913.....79	STUD,WHEEL,3/4-16, ( 34115 ).....24-26
SEAL, GASKET, .0005" *SILVER*.....225-226	SOLENOID,SHUTDOWN DEUTZ F4L913.....77	SUPPORT, RAILING.....193-194
SEAL, GASKET, .00075" *GOLD*.....225-226	SOLENOID,SHUTDOWN,PERKINS ****.....63	SUPPORT,SENSOR,JOYSTICK.....151, 153
SEAL, GASKET, .0010".....225-226	SOLENOID,STARTER,DEUTZ F4L913.....79	SVC KIT,UK RECEPT.REPLACEMENT.....215
SEAL, SHAFT, 60511 APU.....43	SOLENOID,THROTTLE ACTUATOR DSL.....63, 69	SWING DRIVE ASSEMBLY.....45-46
SEAL,CONNECT,AMP SINGLE WIRE.....71	SOLENOID-STARTR DEUTZF4L1011F*.....87	SWING MOTOR COMPLETE***.....45-46
SEAL,CYL.HED.CVR.DEUTZ,F4L913.....79	SPACER.....225-226	SWING MOTOR,COMPLETE***.....45-46
SEAL,FILTER ASSY (60334)**.....81, 99, 113	SPACER TUBE,.50 LG.....213	SWITCH SHIELD,ROCK JOYSTK75565...151, 153
SEAL,GREASE.....21	SPACER, DUAL COIL.....167-168	SWITCH TOGGLE ASSY DPDT 2P MNT.....141, 143-144, 225-226
SEAL,INJECTOR,DEUTZ F4L913.....77	SPACER,20 ID X .50 OD X .4 LG.....107-108	
SEAL,RETAINING RING.....225-226		

## Part Description Index (continued)

- SWITCH TOGGLE ASSY DPDT 2P MOM..51-52, 141, 143-144
- SWITCH TOGGLE ASSY DPDT 3P MOM..51-52, 141, 143-144
- SWITCH TOGGLE ASSY SPDT 2P MNT....51-52, 141, 143-144, 147, 149
- SWITCH TOGGLE ASSY SPDT 3P MOM..51-52, 141, 143-144
- SWITCH, LOW OIL PRESS, TME27.....105
- SWITCH, OIL PRESSURE 1.5 BAR.....84
- SWITCH,LIMIT,W/R/R\*\*\*.....45-46, 117
- SWITCH,LIMIT,W/RLR ARM,PLASTIC.....115, 123
- SWITCH,LOAD LIMIT.....211
- SWITCH,OIL PRESSURE ASSY.....103
- SWITCH,PRESS,#4NPT,200PSIF.....219
- SWITCH,PRESS,NC,180 PSI,#4SAE.....171
- SWITCH,THERMOSTAT 85F OPEN.....147, 149
- SWIVEL,HYDRAULIC,10 PORT.....45-46
- T**
- T-BOX,2.75 X 4.5 X 2.0.....215
- T-BOX,2.75X4.5X2.63,3PH.....221
- TAILPIPE,DEUTZ 913 S80.....75
- TAILPIPE,DEUTZ BF4L2011.....84
- TAILPIPE,FORD LRG 425.....99
- TANK, LP, 7 GAL.....35-36, 39
- TANK,HYD,45 GALLON ASSY W/DEC.....35-36, 39
- TEE,BRANCH,520429-6.....187, 189
- TEE,BRANCH,520429-8.....229
- TEE,BRANCH,520433-8.....229
- TEE,BRASS STREET,.12 NPT.....71
- TEE,BULKHEAD,RUN,520958-8.....177, 179, 181
- TEE,RUN,520428-12.....223
- TEE,RUN,520428-4.....177, 183-184
- TEE,RUN,520428-8.....179, 181, 183-184
- TEE,RUN,SWIVEL,520432-6.....177
- TERM RELAY,N-INSULATE 14-16 GA.....49
- TERM,ALT.PERKINS 804,16/14 GA.....71
- TERM,AMP MTE,SOC,22-26 GA BULK.....151, 153
- TERM,DEUTSCH, PIN #12-14.....51-52, 147, 149
- TERM,NI PIN,S&F,16-18GA,REEL.....147, 149
- TERM,RELAY N-INSULATED 10-12 G.....49
- TERM,RELAY,N-INSULATE 18-20 GA.....49
- TERMINAL BLOCK END PLATE.....49
- TERMINAL BLOCK,WIELAND.....49
- TERMINAL RAIL,GBOX S80/85.....49
- THERMOSTAT -OIL COOLER (71259).....233
- THERMOSTAT, 180 DEG.F.....69
- THERMOSTAT, FORD LRG.....103
- THERMOSTAT, PERKINS (53883).....65
- THERMOSTAT-ENG TEMP/GM3.0L.....89-90
- THREADED ROD,1/4-28 X 10 IN\*\*\*.....81
- THREADED ROD,1/4-28 X 6 IN\*\*\*.....29
- THROTTLE BODY.....89-90, 93
- THROTTLE LINK,DSL\*\*\*.....63, 83-84
- THROTTLE LINKAGE, DSL.....83-84
- THROTTLE LINKAGE,DIESEL.....69
- THROTTLE,ELECTRIC,TME2.7L ENG.....105
- TIRE & WHEEL ASSY,AIR,RH,S80.....21
- TIRE & WHEEL ASSY,FOAM RH,S80.....21
- TIRE & WHEEL ASSY,NON MARK,LH.....21
- TIRE & WHEEL ASSY,NON MARK,RH.....21
- TIRE & WHEEL,ASSY,FOAM LH,S80.....21
- TIRE &WHEEL ASSY,AIR,LH,S80.....21
- TIRE,15-22.5, 16PR,NON-MARKING.....21
- TIRE,15-22.5,16 PLY,HAULER S80.....21
- TIRE,41/18LL X 22.5,14PR,TURF\*.....21
- TIRE/WHEEL ASSY.....21
- TOEBOARD,8'TRI ENTRY.....194
- TOEBOARD,ENTRY EUROPEAN PNTD\*\*.....138, 194
- TOOL TRAY ACCESSORY\*\*\*.....193-194
- TRACTION MANIFOLD,2WD\*\*\*.....155
- TRAY,BATTERY.....113
- TUBE,AIR INTAKE.....83-84
- TUBE,INLET,DEUTZ.....75
- TUBE,INTAKE,2.50 OD X 13".....99
- TUBE,INTAKE,2.50 OD X 15.63".....99
- TUBE,INTAKE,AIR CLEANER.....111
- TUBE,RD,ALUM 1.25 X .083.....209
- TUBE,RD,ALUM 2.5 X .083.....93
- TUBE,RD,ALUM 2.5 X .083 X 2.00.....93, 205
- TUBE,RD,ALUM 3 X .188.....75
- TUBE,RD,STL,ALUMIZD,2.5 X .065.....71, 205
- TUBE,RD,STL,DOM,.75X.38X.78.....201
- TUBE,SLIDING MIDRAIL,PAINTED.....138
- TURNTBL COVER ASSY W/SYM DECAL.....55, 57
- TURNTBL COVER ASSY W/WORD DECA..55
- TURNTBL COVER ASSY W/WRD DECAL...57
- TURNTBL CVR ASSY W/WORD DECALS...55
- U**
- U-BOLT, KIT 5/16-18 X 2.5.....61, 75, 89-90
- U-BOLT,1/2-13 X 8.5.....69, 84
- U-BOLT,3/8 X 1 YZ.....137-138, 221, 235
- U-BOLT,3/8-16X4X4.63X3.00.....221
- UBOLT,FLATTENED,1.5DIA X 3/8 UNC.....209, 237
- UNION,STR.THREAD 20..35-36, 39, 41, 183-184
- UPGRADE KIT, BOOM WIPER.....199, 201
- UPGRADE KIT, DRIVE HUB, 4WD.....24-26
- V**
- V-BELT GUARD, DEUTZ 2011.....87
- V-BELT, DEUTZ F4L2011.....83-84
- V-BELT, DEUTZ TD2011LOAL.....83-84
- V-BELT, PERKINS 804C-33.....71
- VACUATOR VALVE.....95-96, 111
- VALVE - COUNTERBALANCE\*\*.....173
- VALVE - SOLENOID 2 POS 2 WAY.....165
- VALVE ASSY,BLEED\*\*\*.....125, 127-128
- VALVE COVER,TME27.....105
- VALVE FLOW DIVIDER/COMBINER.....161
- VALVE, CHECK.....159, 163, 171
- VALVE, CHECK, 5PSI.....163
- VALVE, FLOW DIVIDE/COMB,24GPM.....163
- VALVE, FLOW DIVIDE/COMBINE 1:1.....163
- VALVE, FLOW DIVIDER COMBINER.....159
- VALVE, RELIEF, 280PSI.....163
- VALVE, SHUTTLE, FIXED.....163
- VALVE,BALL,16 MPT-16 FPT\*\*\*.....183-184
- VALVE,BALL,16 MSAE-16 FSAE\*\*\*.....35-36, 39, 41, 183-184
- VALVE,BALL,FSAE-20,FSAE-20.....35-36, 39, 41, 183-184
- VALVE,CB 3:1 3500 PSI.....167-168
- VALVE,CHCEK,TME27.....107-108
- VALVE,CHECK 30 PSI.....168
- VALVE,CHECK\*\*\*.....165, 167-168
- VALVE,CHECK, 2.5 PSI.....161
- VALVE,CHECK, 30 PSI.....167-168, 171
- VALVE,CHECK,150 PSI.....168
- VALVE,CHECK,3 PSI\*\*\*.....161, 219
- VALVE,CHECK,5 PSI.....157, 159, 168
- VALVE,CNTRBAL 3500PSI,ATM VEN.....125, 127-128
- VALVE,COUNTERBAL,CBCA-LIN\*\*\*.....45-46
- VALVE,COUNTERBAL.CACA-LHN@2000.121
- VALVE,COUNTERBAL.CACG-LGN@3500.125, 127-128
- VALVE,COUNTERBAL.CWCA-LHN@2000.121
- VALVE,COUNTERBALANCE.....17, 19, 29, 31, 115, 127-128
- VALVE,COUNTERBALANCE(81366)\*\*\*.....46
- VALVE,COUNTERBALANCE\*\*\*.....125, 127-128
- VALVE,DIFFERENTIAL SENSING\*\*\*.....167-168
- VALVE,DIRECTIONAL 2 POS 2 WAY.....165
- VALVE,DIRECTIONAL CONTROL.....165
- VALVE,DIRECTIONAL,2POS.2WAY.....171
- VALVE,DRAIN,FORD,BLOCK,RAD.....103
- VALVE,FLOW DIVIDER/COMBINER.....155, 157, 159, 161
- VALVE,FLOW REGULATOR.....171
- VALVE,FLOW REGULATOR 0.6GPM.....168
- VALVE,FLOW REGULATOR 3.5 GPM\*\*.....168
- VALVE,FLOW REGULATOR,1 GPM.....168
- VALVE,LP LOCKOUT W/CONN\*\*\*.....95-96
- VALVE,MANUAL,W/RELIEF VALVE\*\*\*.....29
- VALVE,NEEDLE\*\*\*.....168
- VALVE,PCV-FORD LRG\*\*\*.....103
- VALVE,PILOT OPER DIRECTIONAL\*\*.....219, 225-226
- VALVE,PRESS.REDUCING,1000 PSI.....165
- VALVE,PRI. FLOW REG 4.3.....225-226
- VALVE,PROPORTIONAL SOLENOID.....167-168
- VALVE,PROPORTIONAL SOLENOID\*\*\*.....168
- VALVE,PROPORTIONAL\*\*\*.....168
- VALVE,PROPORTIONAL, 12V \*\*.....167-168
- VALVE,PROPORTIONAL,SOLENOID.....168
- VALVE,PVC,TMEW7.....107-108
- VALVE,RELIEF.....171
- VALVE,RELIEF 2400 PSI.....225-226
- VALVE,RELIEF 280 PSI.....161
- VALVE,RELIEF 2900 PSI\*\*\*.....168
- VALVE,RELIEF,210 PSI.....155
- VALVE,RELIEF,250 PSI.....159
- VALVE,RELIEF,2500 PSI.....167-168
- VALVE,RELIEF,280PSI.....157
- VALVE,SEQUENCE,SUN S60/80 EXT.....121
- VALVE,SHUTTLE.....155, 157, 159
- VALVE,SHUTTLE\*\*\*.....46
- VALVE,SHUTTLE,40 PSI.....161
- VALVE,SOLENOID (18660).....225-226
- VALVE,SOLENOID 2 POS 3 WAY.....167-168
- VALVE,SOLENOID 3 POS,4 WAY\*\*\*.....168
- VALVE,SOLENOID 3POS 4WAY\*.....167-168
- VALVE,SOLENOID N/C (SHORT)\*\*\*.....173
- VALVE,SOLENOID N/O (LONG)\*\*\*.....171, 173
- VALVE,SOLENOID, 2 POS, 3 WAY.....165, 167-168, 171
- VALVE-FLOW REGULATOR 2 GPM.....159
- VALVE-SOLENOID,10V,W/OUT COIL\*.....219
- VALVE-SOLENOID,2POS 3WAY,JIB\*\*\*.....173
- VAPORIZER REGULATOR PRIM 16.5.....89-90



VOLTAGE REGULATOR,110V.....215  
 VOLTAGE REGULATOR,220V.....215

**W**

WASHER,#10,LOCK.....107-108  
 WASHER,3/8 HARD,STEEL-FLAT,USS.....107-108, 111  
 WASHER,CRANKSHAFT,TME27.....105  
 WASHER,CYL.HED CVR.DEUTZF4L913.....79  
 WASHER,FENDER,.25 X 1.25 X.062.....55, 57  
 WASHER,FLAT, 313, HARDENED.....125, 133  
 WASHER,FLAT,375 X 1.5 X .125.....95-96, 103, 237  
 WASHER,FLAT,.5 HARDENED.....46, 61, 69, 73, 77, 84, 89-90, 101, 107-108, 111, 219  
 WASHER,FLAT,.625 HARDENED.....23-26, 45-46, 84  
 WASHER,FLAT,.625 X 2.25 X.15.....67, 71, 81, 84, 93  
 WASHER,FLAT,.75 HARDENED.....17, 31, 45-46  
 WASHER,FLAT,1.000,HARDENED.....125, 133  
 WASHER,FLAT,1.56 X 2.5 X .061.....19, 29, 71, 81, 84, 117  
 WASHER,FLAT,2.0 X 4.5 X .25.....21  
 WASHER,FLAT,3/8X1.5X.06.....211  
 WASHER,FLAT,M10,ZINC PLTD.....71, 73, 77, 84, 87, 111  
 WASHER,FLAT,M12.....69, 73, 81, 93, 213  
 WASHER,FLAT,M14.....84, 87, 213  
 WASHER,FLAT,M14 HARDENED.....105  
 WASHER,FLAT,M14,DEUTZ F4L913.....81  
 WASHER,FLAT,M6 PLTD.....101, 105  
 WASHER,FLAT,M6,DEUTZ F4L913.....79  
 WASHER,FLAT,M8 DEUTZ, F4L913.....79  
 WASHER,FLAT,M8, YELLOW ZINC.....69, 71, 101, 103, 107-108, 205  
 WASHER,FLAT,MS,#10,Y.....23-26, 45-46, 55, 57, 95-96, 123, 141, 143-144, 191, 211  
 WASHER,FLAT,MS,#8,Y.....221  
 WASHER,FLAT,SAE,3/8",Y.....127-128  
 WASHER,FLAT,USS,1",Y.....45-46, 59  
 WASHER,FLAT,USS,1/2",Y.....59, 67, 99, 103, 226, 233  
 WASHER,FLAT,USS,1/4"Y.....21, 26, 29, 33, 35-36, 39, 41, 43, 51-52, 55, 57, 59, 61, 63, 67, 69, 73, 75, 81, 83-84, 89-90, 93, 95-96, 99, 101, 107-108, 111, 113, 119, 121, 123, 127-128, 131, 136-138, 141, 143-144, 194, 197, 199, 201, 203, 205, 209, 235, 237  
 WASHER,FLAT,USS,3/8",Y.....17, 31, 35-36, 39, 41, 43, 45-46, 59, 61, 69, 73, 93, 95-96, 99, 101, 103, 107-108, 111, 117, 119, 123, 127-128, 211, 213, 215, 219, 225-226, 237  
 WASHER,FLAT,USS,5/16",Y.....23-26, 29, 35-36, 39, 41, 55, 57, 59, 61, 63, 67, 69, 71, 73, 81, 83-84, 87, 89-90, 96, 99, 107-108, 111, 113, 115, 121, 123, 131, 136-138, 205, 209, 213, 219, 221, 225-226, 233, 235  
 WASHER,FLAT,USS,5/8",Y.....71, 81  
 WASHER,FLAT,USS,7/16",Y.....213  
 WASHER,ISOLATOR,TME27.....107-108  
 WASHER,LOCK,#10 PLTD.....107-108  
 WASHER,LOCK,.25.....21, 25-26, 31, 33, 51-52, 55, 59, 81, 83-84, 119, 125, 127-128, 137-138, 141, 143-144, 194, 199, 203, 215  
 WASHER,LOCK,.313.....46, 61

WASHER,LOCK,.375.....17, 19, 23-26, 29, 31, 43, 55, 59, 67, 89-90, 96, 107-108, 111, 113, 115, 117, 119, 121, 123, 128, 131, 201, 213, 233  
 WASHER,LOCK,437,PLTD.....213  
 WASHER,LOCK,.625 PLTD.....194  
 WASHER,LOCK,.75 PLTD.....115  
 WASHER,LOCK,0.5".....19, 23-26, 29, 45-46, 115  
 WASHER,LOCK,1".....59  
 WASHER,LOCK,M10..61, 89-90, 95-96, 101, 103, 105, 213  
 WASHER,LOCK,M12.....65  
 WASHER,LOCK,M14.....67, 105  
 WASHER,LOCK,M6.....83-84, 101, 105  
 WASHER,LOCK,M6,DEUTZ F4L913.....77  
 WASHER,LOCK,M8.....65, 95-96, 101, 103  
 WASHER,OIL DRAIN DEUTZ F4L913.....77  
 WASHER,RIVETING.....63  
 WASHER,SHIM .0151 THK.....211  
 WASHER,SHIM,1.27 X 2.13 X .062..117, 125, 127-128  
 WASHER,THRUST,1.5 X 3.5 X .187.....17, 31  
 WASHER,THRUST,TORQUE HUB.....46  
 WASHER,UHMW SPHERE.....121  
 WATER INLET TUBE, FORD.....103  
 WATER PUMP GASKET.....105  
 WATER PUMP, CONTINENTAL TME27.....105  
 WATER PUMP, PERKINS (53883).....65  
 WEAR PAD ASSEMBLY,CABLE TRACK.....123  
 WEAR PAD,3 X 1.5 X.625 W/NUTS.....19, 131  
 WEAR PAD,4 X 2 X .625 W/INSERT.....19  
 WEAR PAD,5 X 1.5 X .625 W/NUTS...29, 117, 119  
 WEAR PAD,5 X 1.5 X .75 W/NUTS.....119  
 WEAR PAD,5 X 3 X .625 W/INSE.....117, 119  
 WEAR PAD,5.5 X 1.75 X .5.....123  
 WEAR PAD,BOTTOM ROD.....121  
 WEAR PAD,CABLE TRACK PULL TUBE.....123  
 WEAR PAD,ENGINE TRAY.....113  
 WEAR PAD,EXTENSION CYLINDER.....121  
 WEAR PAD,TENSION ROD.....121  
 WEAR PAD,TOP ROD.....121  
 WEARPAD,S80 FRONT AXLE.....19  
 WEARPAD,S80 REAR AXLE.....29  
 WELDER INVERTEC V275-S.....221  
 WELDMENT W/DECALS,4FT,500LB AN.....136-138  
 WELDMENT W/DECALS,5FT,500LB AN.....137-138  
 WELDMENT,AIR INTAKE DEUTZ.....83-84  
 WELDMENT,BOOM SECTION#2 S80/85.....117, 119  
 WELDMENT,CABLE TRACK TRAY.....123  
 WELDMENT,COOLANT BOTTLE MOUNT.....101  
 WELDMENT,COOLING AIR BOX,PTD.....83-84  
 WELDMENT,ENGINE MOUNT,INBOARD.....67  
 W E L D M E N T , E N G I N E MOUNT,OUTBOARD.....67  
 WELDMENT,EXHAUST COLL.PIPE.....111  
 WELDMENT,EXHAUST PIPE.....107-108  
 WELDMENT,EXHAUST TUBE.....57  
 WELDMENT,FRONT ENGINE MOUNT.....93  
 WELDMENT,GUIDE BRACKET.....31  
 WELDMENT,HEAD PIPE,GM.....93  
 WELDMENT,JIB HOSE COVER.....127-128  
 WELDMENT,LONG GUIDE TUBE.....123

WELDMENT,MUFFLER MOUNT,PTD.....111  
 WELDMENT,MUFFLER,FORD TIER2.....99  
 WELDMENT,OUTER FRONT AXLE S80.....17, 31  
 W E L D M E N T , P L A T F O R M SUPPORT,CE.....138, 211  
 WELDMENT,REAR ENGINE MOUNT.....87  
 WELDMENT,TRACK PULL TUBE PIVOT.....123  
 WELDMENT,TT COVER SUPPORT,RH.....57  
 WHEEL DRIVE W/BRAKE,57.49:1.....24-26  
 WHEEL DRIVE W/BRAKE,60.2:1.....23-26  
 WHEEL DRIVE W/BRAKE,91.97:1.....25-26  
 WHEEL DRIVE,2WD 92.5:1.....25-26  
 WHEEL STUD, 3/4-16 X 60MM.....23-26  
 WHEEL, 22.5 X 11.75 S80.....21  
 WHEEL, CRANK POSITION.....105  
 WHEEL,22.5 X 14.00.....21  
 WIPER.....199  
 WIPER BRACKET, PNTD.....199  
 WIPER,RING GEAR.....203  
 WIPER,RUBBER, 1 TO 2.....201  
 WIPER,RUBBER, 2 TO 3.....201  
 WIPER,SWITCH GUARD.....199  
 WIRE CABLE 8 GA/4 CON.SO.....219  
 WIRE LOOM,3/8 POLY SLIT.....35-36, 39, 138  
 WIRE,12/3 SJEOW,BULK,BLK-WHT-G.....57  
 WIRE,MOUNT ADHESIVE BACK.....141, 143-144  
 WIRING KIT,CONTROL BOX HEATER.....147, 149  
 WIRING KIT,JIB TIME DELAY IC.....143-144  
 WORD DECAL KIT SERV S80/85.....11-12

**Y**

YOKE WELDMENT,ASSEM RH.4WD.....31

**Z**

ZERK,GREASE,1/8 NPT.....19, 29  
 ZERK,GREASE,1/8 NPT,1-3/4"LG.....19, 29  
 ZERK,GREASE,5/16-24,STRAIT.....211

## Fitting Cross References

Genie PN	Parker PN	Description	Genie PN	Parker PN	Description
12342	6-4 F5OX-S	CONNECTOR,STRAIGHT THREAD TO FLARE TUBE	42794	1 CR-S	ELBOW,90°,MALE PIPE
13757	4 R6X-S	RUN TEE,SWIVEL NUT,ORFS	42795	BV-0839	BALL VALVE
19685	12-10 C5OX-S	ELBOW,90°,STRAIGHT THREAD TO FLARE TUBE	42796	BV-0838	BALL VALVE
22664	12-10 C5OX	ELBOW,90°,STRAIGHT THREAD TO FLARE TUBE	42874	6-8 CLO-S	ELBOW,90°,MALE PIPE TO ORFS
27431	8-12 F5OX-S	CONNECTOR,STRAIGHT THREAD TO FLARE TUBE	42912	13943-6-4	HOSE END,90° FEMALE SWIVEL,JIC
28678	AS-B-33	SLEEVE,NYLON,1.81" ID	42920	BV-0840	BALL VALVE,90°
39871	6 WETX-WLN-S	UNION,90° BULKHEAD W/NUT,FLARE TUBE	42932	AS-B-17	SLEEVE,NYLON,1.22" ID
39872	4 R5OX-S	RUN TEE,STRAIGHT THREAD	42936	10243-2-4	HOSE END,FEMALE PIPE
39873	6 C5OX-S	ELBOW,90°,STRAIGHT THREAD TO FLARE TUBE	42953	1/2 DD-S	ELBOW,90°,FEMALE PIPE
39874	8-6 C5OX-S	ELBOW,90°,STRAIGHT THREAD TO FLARE TUBE	42956	6 WELO-WLNL-S	UNION,90° BULKHEAD W/NUT,ORFS
39875	4-6 C5OX-S	ELBOW,90°,STRAIGHT THREAD TO FLARE TUBE	45349	8 V5OX-S	ELBOW,45°,STRAIGHT THREAD TO FLARE TUBE
39876	6-8 C5OX-S	ELBOW,90°,STRAIGHT THREAD TO FLARE TUBE	45351	4 V5OX-S	ELBOW,45°,STRAIGHT THREAD TO FLARE TUBE
39877	4 F5OX-S	CONNECTOR,STRAIGHT THREAD TO FLARE TUBE	47223	10343-6-6	HOSE END,MALE,JIC
39878	6 F5OX-S	CONNECTOR,STRAIGHT THREAD TO FLARE TUBE	47419	PS690503-6-6	SWIVEL,90°,STRAIGHT THREAD TO 37° FLARE
39879	4-8 F5OX-S	CONNECTOR,STRAIGHT THREAD TO FLARE TUBE	48750	421-4	HOSE,1/4 INCH ID
39880	6-10 F5OX-S	CONNECTOR,STRAIGHT THREAD TO FLARE TUBE	48751	481TC-4	HOSE,1/4 INCH ID
39881	4-6 F5OX-S	CONNECTOR,STRAIGHT THREAD TO FLARE TUBE	48752	482TC-4	HOSE,1/4 INCH ID
39882	4-HP5ON-S	PLUG,STRAIGHT THREAD	48753	451TC-6	HOSE,3/8 INCH ID
39883	8-8 FTX-S	CONNECTOR,MALE PIPE TO FLARE TUBE	48754	482TC-6	HOSE,3/8 INCH ID
39885	269HB 12-12	ELBOW,90°,BEADED HOSE BARB TO MALE PIPE	48755	381-6	HOSE,3/8 INCH ID
39886	431-6	HOSE,3/8 INCH ID	48756	451TC-8	HOSE,1/2 INCH ID
39887	540N-2	HOSE,1/8 INCH ID	48757	482TC-8	HOSE,1/2 INCH ID
39888	801-8	HOSE,1/2 INCH ID	48758	381-8	HOSE,1/2 INCH ID
39889	801-12	HOSE,3/4 INCH ID	48759	381-10	HOSE,5/8 INCH ID
39890	10643-6-6	HOSE END,FEMALE SWIVEL,JIC	48760	451TC-10	HOSE,5/8 INCH ID
39891	13943-6-6	HOSE END,90° FEMALE SWIVEL,JIC	48761	482TC-12	HOSE,3/4 INCH ID
39892	13743-6-6	HOSE END,45° FEMALE SWIVEL,JIC	48762	451TC-12	HOSE,3/4 INCH ID
39894	30682-8-8	HOSE END,FEMALE SWIVEL,JIC	48763	772-12	HOSE,3/4 INCH ID
39895	30682-10-12	HOSE END,FEMALE SWIVEL,JIC	48764	881-16	HOSE,1 INCH ID
42286	8-8 CTX-S	ELBOW,90°,MALE PIPE TO FLARE TUBE	48765	772-16	HOSE,1 INCH ID
42756	8-12 CLO-S	ELBOW,90,MALE PIPE TO ORFS	48766	AS-B-15	SLEEVE,NYLON,1.06" ID
42757	8-12 FLO-S	CONNECTOR,MALE PIPE TO ORFS	48767	AS-B-22	SLEEVE,NYLON,1.42" ID
42758	4 JLO-S	UNION TEE,ORFS	48770	881-8	HOSE,1/2 INCH ID
42759	4-4 FLO-S	CONNECTOR,MALE PIPE TO ORFS			
42760	6-8 FLO-S	CONNECTOR,MALE PIPE TO ORFS			
42761	1J143-6-4	HOSE END,90° FEMALE SWIVEL,SEAL LOK			
42762	1J743-6-4	HOSE END,45° FEMALE SWIVEL,SEAL LOK			
42768	1JO43-4-4	HOSE END,MALE,SEAL LOK			
42776	601-8	HOSE,1/2 INCH ID			
42777	1J743-16-16	HOSE END,45° FEMALE SWIVEL,SEAL LOK			
42786	16 CLO-S	ELBOW,90°,MALE PIPE TO ORFS			
42787	16 R6LO-S	RUN TEE,SWIVEL NUT,ORFS			
42788	16-8 TRLO-BL-S	REDUCER,TUBE END TO SWIVEL,ORFS			
42789	6-6 CLO-S	ELBOW,90°,MALE PIPE TO ORFS			
42790	8-10 V5OLO-S	ELBOW,45°,STRAIGHT THREAD TO ORFS			
42791	3/4 CD-S	ELBOW,90°,MALE TO FEMALE PIPE			
42792	3/4 X 1/2 PTR-S	REDUCER,MALE TO FEMALE PIPE			
42793	1/2 CR-S	ELBOW,90°,MALE PIPE			

## Fitting Cross References (Continued)

Genie PN	Parker PN	Description	Genie PN	Parker PN	Description
48771	881-10	HOSE,5/8 INCH ID	48847	13943-12-12	HOSE END,90° FEMALE SWIVEL,JIC
48772	381-4	HOSE,1/4 INCH ID	48848	10543-12-12	HOSE END,MALE,STRAIGHT THREAD
48773	AS-B-13	SLEEVE,NYLON,.86" ID	48849	1JC71-12-12	HOSE END,FEMALE SWIVEL,SEAL LOK
48800	1JC43-4-4	HOSE END,FEMALE SWIVEL,SEAL LOK	48850	1JS71-12-12	HOSE END,FEMALE SWIVEL,SEAL LOK
48801	1J743-4-4	HOSE END,45° FEMALE SWIVEL,SEAL LOK	48851	1J171-12-12	HOSE END,90° FEMALE SWIVEL,SEAL LOK
48802	1J943-4-4	HOSE END,90° FEMALE SWIVEL,SEAL LOK	48852	1J771-12-12	HOSE END,45° FEMALE SWIVEL,SEAL LOK
48804	1JM43-4-4	HOSE END,MALE,SEAL LOK, NO O-RING	48853	1J971-12-12	HOSE END,90° FEMALE SWIVEL,SEAL LOK
48805	10643-4-4	HOSE END,FEMALE SWIVEL,JIC	48854	1JC43-16-16	HOSE END,FEMALE SWIVEL,SEAL LOK
48806	13943-4-4	HOSE END,90° FEMALE SWIVEL,JIC	48855	1J943-16-16	HOSE END,90° FEMALE SWIVEL,SEAL LOK
48807	1JS43-4-4	HOSE END,FEMALE SWIVEL,SEAL LOK	48856	1J171-16-16	HOSE END,90° FEMALE SWIVEL,SEAL LOK
48808	3JC82-8-8	HOSE END,FEMALE SWIVEL,SEAL LOK	48857	1J971-16-16	HOSE END,90° FEMALE SWIVEL,SEAL LOK
48809	3JC82-12-12	HOSE END,FEMALE SWIVEL,SEAL LOK	48859	1JS43-8-4	HOSE END,FEMALE SWIVEL,SEAL LOK
48810	1JC43-6-4	HOSE END,FEMALE SWIVEL,SEAL LOK	48867	PD36BTL	DIAGNOSTIC NIPPLE,SEAL-LOK SWIVEL
48811	1J943-6-4	HOSE END,90° FEMALE SWIVEL,SEAL LOK	48873	6 PNLO-S	PLUG,TUBE END,ORFS
48812	1JC43-6-6	HOSE END,FEMALE SWIVEL,SEAL LOK	48874	6 PNTX-S	PLUG,FLARE TUBE
48813	1J143-6-6	HOSE END,90° FEMALE SWIVEL,SEAL LOK	48875	6 R6LO-S	RUN TEE,SWIVEL NUT,ORFS
48814	1J543-6-6	HOSE END,90° FEMALE SWIVEL,SEAL LOK	48877	4 F5OLO-SW/.025	CONNECTOR,STRAIGHT THREAD TO ORFS, W/.025 ORI
48815	1J743-6-6	HOSE END,45° FEMALE SWIVEL,SEAL LOK	48878	16-12 C5OLO-S	ELBOW,90°,STRAIGHT THREAD TO ORFS
48816	1J943-6-6	HOSE END,90° FEMALE SWIVEL,SEAL LOK	48879	8 C6LO-S	ELBOW,90°,SWIVEL NUT ORFS
48817	1JS43-6-8	HOSE END,FEMALE SWIVEL,SEAL LOK	48880	PD6-285	CAP,DIAGNOSTIC NIPPLE
48818	1J943-8-4	HOSE END,90° FEMALE SWIVEL,SEAL LOK	48881	6 HLO-S	UNION,ORFS
48819	1JC43-8-6	HOSE END,FEMALE SWIVEL,SEAL LOK	48883	8 P5ON-S	PLUG,STRAIGHT THREAD
48820	1J743-8-6	HOSE END,45° FEMALE SWIVEL,SEAL LOK	48884	8M18F87OMLO-S	CONNECTOR,METRIC,STRAIGHT THREAD TO ORFS
48821	1J943-8-6	HOSE END,90° FEMALE SWIVEL,SEAL LOK	48885	4 WGTX-WLN-S	CONNECTOR,BULKHEAD,FEMALE PIPE TO FLARE TUBE
48822	1JC43-8-8	HOSE END,FEMALE SWIVEL,SEAL LOK	48886	4 F5OLO-SW/2MM	CONNECTOR,MACHINED STRAIGHT THREAD TO ORFS
48823	1JS43-8-8	HOSE END,FEMALE SWIVEL,SEAL LOK	48887	4 CTX-S	ELBOW,90°,MALE PIPE TO FLARE TUBE
48824	1J143-8-8	HOSE END,90° FEMALE SWIVEL,SEAL LOK	48888	10-12 V5OLO-S	ELBOW,45°,STRAIGHT THREAD TO ORFS
48825	1J543-8-8	HOSE END,90° FEMALE SWIVEL,SEAL LOK	48890	4 S5OLO-S	BRANCH TEE,STRAIGHT THREAD TO ORFS
48826	1J743-8-8	HOSE END,45° FEMALE SWIVEL,SEAL LOK	48891	4 S6LO-S	BRANCH TEE,SWIVEL NUT TO ORFS
48827	1J943-8-8	HOSE END,90° FEMALE SWIVEL,SEAL LOK			
48828	1JC43-10-8	HOSE END,FEMALE SWIVEL,SEAL LOK			
48829	1JS43-10-8	HOSE END,FEMALE SWIVEL,SEAL LOK			
48830	1J743-10-8	HOSE END,45° FEMALE SWIVEL,SEAL LOK			
48831	1J943-10-8	HOSE END,90° FEMALE SWIVEL,SEAL LOK			
48833	1JC43-10-10	HOSE END,FEMALE SWIVEL,SEAL LOK			
48834	1J943-10-10	HOSE END,90° FEMALE SWIVEL,SEAL LOK			
48835	1JS43-10-12	HOSE END,FEMALE SWIVEL,SEAL LOK			
48836	1JC43-12-8	HOSE END,FEMALE SWIVEL,SEAL LOK			
48837	1JS43-12-8	HOSE END,FEMALE SWIVEL,SEAL LOK			
48838	1J743-12-8	HOSE END,45° FEMALE SWIVEL,SEAL LOK			
48839	1J943-12-8	HOSE END,90° FEMALE SWIVEL,SEAL LOK			
48840	1J943-12-10	HOSE END,90° FEMALE SWIVEL,SEAL LOK			
48841	1JC43-12-12	HOSE END,FEMALE SWIVEL,SEAL LOK			
48842	1JO43-12-12	HOSE END,MALE,SEAL LOK			
48843	1J143-12-12	HOSE END,90° FEMALE SWIVEL,SEAL LOK			
48844	1J543-12-12	HOSE END,90° FEMALE SWIVEL,SEAL LOK			
48845	1J743-12-12	HOSE END,45° FEMALE SWIVEL,SEAL LOK			
48846	1J943-12-12	HOSE END,90° FEMALE SWIVEL,SEAL LOK			

## Fitting Cross References (Continued)

Genie PN	Parker PN	Description	Genie PN	Parker PN	Description
48892	6 C6LO-S	ELBOW,90°,SWIVEL NUT ORFS	48938	8 R6LO-S	RUN TEE,SWIVEL NUT,ORFS
48893	6 F5OHAO-S	UNION,STRAIGHT THREAD	48939	8 S6LO-S	BRANCH TEE,SWIVEL NUT TO ORFS
48894	8 WLO-WLNL-S	UNION,BULKHEAD,ORFS	48940	8 WJLO-WLNL-S	RUN TEE, BULKHEAD,ORFS
48895	DT-370-MSMO-5	VALVE,CHECK	48941	8-4 TRLO-S	REDUCER,TUBE END TO SWIVEL,ORFS
48896	6 JLO-S	UNION,TEE,ORFS	48942	8-6 C5OLO-S	ELBOW,90°,STRAIGHT THREAD TO ORFS
48897	DT-750-MSMS-5	VALVE,CHECK	48943	8-6 F5OLO-S	CONNECTOR,STRAIGHT THREAD TO ORFS
48898	DT-750-MOMS-5	VALVE,CHECK	48944	8-8 FLO-S	CONNECTOR,MALE PIPE TO ORFS
48899	DT-620-MOMS-5	VALVE,CHECK	48945	8 FTX-S	CONNECTOR,MALE PIPE TO FLARE TUBE
48900	4-6 F5OLO-SW/.035	CONNECTOR,STRAIGHT THREAD TO ORFS, W/.035 ORI	48946	8-10 F5OLO-S	CONNECTOR,STRAIGHT THREAD TO ORFS
48902	16-1 AOE4G-S	ELBOW,90° LONG,FEMALE PIPE TO STRAIGHT THREAD	48947	8-12 C5OLO-S	ELBOW,90°,STRAIGHT THREAD TO ORFS
48903	1 FF-S	NIPPLE,PIPE	48948	8-12 F5OLO-S	CONNECTOR,STRAIGHT THREAD TO ORFS
48904	4 C5OLO-S	ELBOW,90°,STRAIGHT THREAD TO ORFS	48949	8-16 F5OLO-S	CONNECTOR,STRAIGHT THREAD TO ORFS
48905	4 F5OLO-S	CONNECTOR,STRAIGHT THREAD TO ORFS	48950	10 C5OLO-S	ELBOW,90°,STRAIGHT THREAD TO ORFS
48906	4 R5OLO-S	RUN TEE,STRAIGHT THREAD	48951	10 CC5OLO-S	ELBOW,90° LONG,STRAIGHT THREAD TO ORFS
48907	4 V5OLO-S	ELBOW,45°,STRAIGHT THREAD TO ORFS	48952	10 F5OLO-S	CONNECTOR,STRAIGHT THREAD TO ORFS
48908	4 R6LO-S	RUN TEE,SWIVEL NUT,ORFS	48953	10 R5OLO-S	RUN TEE,STRAIGHT THREAD
48909	4 WJLO-WLNL-S	RUN TEE, BULKHEAD,ORFS	48954	10 S5OLO-S	BRANCH TEE,STRAIGHT THREAD TO ORFS
48910	4 GTX-S W/.030	CONNECTOR,FEMALE PIPE TO FLARE TUBE	48955	10 R6LO-S	RUN TEE,SWIVEL NUT,ORFS
48911	4-6 C5OLO-S	ELBOW,90°,STRAIGHT THREAD TO ORFS	48956	10-4 TRLO-BL-S	REDUCER,TUBE END TO SWIVEL,ORFS
48912	4-6 F5OLO-S	CONNECTOR,STRAIGHT THREAD TO ORFS	48957	10-6 TRLO-BL-S	REDUCER,TUBE END TO SWIVEL,ORFS
48913	4-6 F5OLO-SW/.030	CONNECTOR,STRAIGHT THREAD TO ORFS, W/.030 ORI	48958	10-12 F5OLO-S	CONNECTOR,STRAIGHT THREAD TO ORFS
48914	4-8 F5OLO-S	CONNECTOR,STRAIGHT THREAD TO ORFS	48959	12 C5OLO-S	ELBOW,90°,STRAIGHT THREAD TO ORFS
48915	6 C5OLO-S	ELBOW,90°,STRAIGHT THREAD TO ORFS	48960	12 F5OLO-S	CONNECTOR,STRAIGHT THREAD TO ORFS
48916	6 F5OLO-S	CONNECTOR,STRAIGHT THREAD TO ORFS	48961	12 R5OLO-S	RUN TEE,STRAIGHT THREAD
48917	6 FF5OLO-S	CONNECTOR,LONG,STRAIGHT THREAD TO ORFS	48962	12 S5OLO-S	BRANCH TEE,STRAIGHT THREAD TO ORFS
48918	6 R5OLO-S	RUN TEE,STRAIGHT THREAD	48963	12 V5OLO-S	ELBOW,45°,STRAIGHT THREAD TO ORFS
48919	6 S5OLO-S	BRANCH TEE,STRAIGHT THREAD TO ORFS	48964	12 R6LO-S	RUN TEE,SWIVEL NUT,ORFS
48920	6 V5OLO-S	ELBOW,45°,STRAIGHT THREAD TO ORFS	48965	12 CLO-S	ELBOW,90°,MALE PIPE TO ORFS
48921	6 FLO-S	CONNECTOR,MALE PIPE TO ORFS	48966	12 FLO-S	CONNECTOR,MALE PIPE TO ORFS
48922	6-6 FLO-S	CONNECTOR,MALE PIPE TO ORFS	48967	12 JLO-S	UNION TEE,ORFS
48923	6 P5ON-S	PLUG,STRAIGHT THREAD	48968	12 WLO-WLNL-S	UNION,BULKHEAD,ORFS
48925	6 WELO-S	UNION,90° BULKHEAD,ORFS	48969	12 WJLO-WLNL-S	RUN TEE, BULKHEAD,ORFS
48926	6-4 C5OLO-S	ELBOW,90°,STRAIGHT THREAD TO ORFS	48970	12 WELO-WLNL-S	UNION,90° BULKHEAD W/NUT,ORFS
48927	6-4 F5OLO-S	CONNECTOR,STRAIGHT THREAD TO ORFS			
48928	6-4 V5OLO-S	ELBOW,45°,STRAIGHT THREAD TO ORFS			
48929	6-8 C5OLO-S	ELBOW,90°,STRAIGHT THREAD TO ORFS			
48930	6-8 F5OLO-S	CONNECTOR,STRAIGHT THREAD TO ORFS			
48931	6-10 F5OLO-S	CONNECTOR,STRAIGHT THREAD TO ORFS			
48932	8 C5OLO-S	ELBOW,90°,STRAIGHT THREAD TO ORFS			
48933	8 F5OLO-S	CONNECTOR,STRAIGHT THREAD TO ORFS			
48934	8 FF5OLO-S	CONNECTOR,LONG,STRAIGHT THREAD TO ORFS			
48935	8 R5OLO-S	RUN TEE,STRAIGHT THREAD			
48936	8 S5OLO-S	BRANCH TEE,STRAIGHT THREAD TO ORFS			
48937	8 V5OLO-S	ELBOW,45°,STRAIGHT THREAD TO ORFS			

Fitting Cross References (Continued)

Genie PN	Parker PN	Description	Genie PN	Parker PN	Description
48971	12 G5G5JG5-S	TEE,FEMALE STRAIGHT THREAD	49612	PKT02586	O-RING KIT (ORFS FITTINGS)
48972	12 XHL6-S	ADAPTER, 37° MALE TO SWIVEL ORFS	49613	PKT06276	PLUG AND CAP KIT-SERVICE,ORFS
48973	12-1/2 F5OG-S	ADAPTER,FEMALE PIPE TO STRAIGHT THREAD	49728	10143-12-12	HOSE END, MALE PIPE
48974	12-10 C5OLO-S	ELBOW,90°,STRAIGHT THREAD TO ORFS	49729	16-1 F5OG-S	ADAPTER,FEMALE PIPE TO STRAIGHT THREAD
48975	12-10 F5OLO-S	CONNECTOR,STRAIGHT THREAD TO ORFS	49814	12-8 FLO-S	CONNECTOR,MALE PIPE TO ORFS
48976	12-16 C5OLO-S	ELBOW,90°,STRAIGHT THREAD TO ORFS	49829	DT-500-MOMF-5	VALVE,CHECK
48977	12-16 F5OLO-S	CONNECTOR,STRAIGHT THREAD TO ORFS	49831	881-12	HOSE,3/4 INCH ID
48978	12-16 V5OLO-S	ELBOW,45°,STRAIGHT THREAD TO ORFS	49834	16 JLO-S	UNION TEE,ORFS
48980	12-16 FLO-S	CONNECTOR,MALE PIPE TO ORFS	49838	12-8 TRLO-BL-S	REDUCER,TUBE END TO SWIVEL,ORFS
48983	16 C5OLO-S	ELBOW,90°,STRAIGHT THREAD TO ORFS	49840	8 JLO-S	UNION TEE,ORFS
48984	16 F5OLO-S	CONNECTOR,STRAIGHT THREAD TO ORFS	49844	10-8 TRLO-BL-S	REDUCER,TUBE END TO SWIVEL,ORFS
48985	16 V5OLO-S	ELBOW,45°,STRAIGHT THREAD TO ORFS	49854	8 P5ON-S	PLUG,STRAIGHT THREAD
48986	16 FLO-S	CONNECTOR,MALE PIPE TO ORFS	49855	1JC43-16-12	HOSE END,FEMALE SWIVEL,SEAL LOK
48988	16 CD45-S	ELBOW,45°,MALE TO FEMALE PIPE	49859	4 P5ON-S	PLUG,STRAIGHT THREAD
48989	12 CD45-S	ELBOW,45°,MALE TO FEMALE PIPE	49861	4 FF5OLO-S	CONNECTOR,LONG,STRAIGHT THREAD TO ORFS
48990	8 CD45-S	ELBOW,45°,MALE TO FEMALE PIPE	49867	12-3/4 F5OG-S	ADAPTER,FEMALE PIPE TO STRAIGHT THREAD
48991	16-12 FLO-S	CONNECTOR,MALE PIPE TO ORFS	51152	6 R6X-S	RUN TEE,SWIVEL NUT,ORFS
48992	16-12 V5OLO-S	ELBOW,45°,STRAIGHT THREAD TO ORFS	51153	6-4 TRTX-S	REDUCER,TUBE END TO SWIVEL,ORFS
48993	XV501-12	BALL VALVE	51154	4-4 GTX	CONNECTOR,FEMALE PIPE TO FLARE TUBE
48994	XV501-16	BALL VALVE	51264	881-12	HOSE,3/4 INCH ID
48995	XV510P-12	BALL VALVE	51265	8 JLO-S	UNION TEE,ORFS
48996	XV510P-16	BALL VALVE	51508	6 BTX-S	NUT,FLARE TUBE
48997	PD341	DIAGNOSTIC NIPPLE, STRAIGHT THREAD	51580	12-8 TRLO-BL-S	TUBE END REDUCER,ORFS
48998	PD 361	DIAGNOSTIC NIPPLE, STRAIGHT THREAD	51628	6 R6X-S	RUN TEE,SWIVEL NUT,ORFS
48999	DT-500-MOMS-5	VALVE,CHECK	51735	3/8 HHP	PLUG,PIPE THREAD
49201	10 V5OLO-S	ELBOW,45°,STRAIGHT THREAD TO ORFS	51803	1J943-6-8	HOSE END,90° FEMALE SWIVEL,SEAL LOK
49202	1JC43-12-10	HOSE END,FEMALE SWIVEL,SEAL LOK	53023	125HBL-5-4	FITTING,HOSE BARB TO MALE PIPE
49203	10-8 V5OLO-S	ELBOW,45°,STRAIGHT THREAD TO ORFS	53497	PKT02585	O-RING KIT
49205	6 F5OHAO-S	UNION,STRAIGHT THREAD	53499	1JC71-16-16	HOSE END,FEMALE SWIVEL,SEAL LOK
49207	PD34BTL	DIAGNOSTIC NIPPLE,SEAL-LOK SWIVEL	53500	3-904	O-RING,STRAIGHT THREAD,-4
49209	8M18F870MX-S	CONNECTOR,METRIC,STRAIGHT THREAD TO FLARE TUBE	53501	3-906	O-RING,STRAIGHT THREAD,-6
49212	8 WGTX-WLN-S	CONNECTOR,BULKHEAD,FEMALE PIPE TO FLARE TUBE	53502	3-908	O-RING,STRAIGHT THREAD,-8
49213	30682-8-8	HOSE END,FEMALE SWIVEL,JIC	53503	3-910	O-RING,STRAIGHT THREAD,-10
49216	831-8	HOSE,1/2 INCH ID			
49217	33982-8-8	HOSE END,90° FEMALE SWIVEL,JIC			
49219	PS-B-35	SLEEVE,NYLON,2.19" ID			
49418	4-6 V5OLO-S	ELBOW,45°,STRAIGHT THREAD TO ORFS			
49511	DT370-MOMS-5	VALVE,CHECK			
49512	1 DD-S	ELBOW,90°,FEMALE PIPE			
49513	1 FF-S	NIPPLE,PIPE			
49514	10 HP5ON-S	PLUG,STRAIGHT THREAD			
49515	12-16 CLO-S	ELBOW,90°,MALE PIPE TO ORFS			
49517	6 HP5ON-S	PLUG,STRAIGHT THREAD			
49519	16-12 F5OLO-S	CONNECTOR,STRAIGHT THREAD TO ORFS			
49520	4 VTX-S	ELBOW,45°,MALE PIPE TO FLARE TUBE			
49530	16 C6LO-S	ELBOW,90°,SWIVEL NUT ORFS			

## Fitting Cross References (Continued)

Genie PN	Parker PN	Description	Genie PN	Parker PN	Description
53535	3-912	O-RING, STRAIGHT THREAD, -12	61083	24 F5OLO-S	CONNECTOR, STRAIGHT THREAD TO ORFS
53536	4-PNLO-S	PLUG, TUBE END, ORFS	61086	20 R5OLO-S	RUN TEE, STRAIGHT THREAD
53537	6 PNLO-S	PLUG, TUBE END, ORFS	61090	24-20 F5OLO-S	CONNECTOR, STRAIGHT THREAD TO ORFS
53538	8 PNLO-S	PLUG, TUBE END, ORFS	61091	1J943 24-24	HOSE END, 90° FEMALE SWIVEL, SEAL LOK
53539	10 PNLO-S	PLUG, TUBE END, ORFS	61093	1J978-12-12	HOSE END, 90° FEMALE SWIVEL, JIC
53540	12 PNLO-S	PLUG, TUBE END, ORFS	61095	1JS43-20-16	HOSE END, FEMALE SWIVEL, SEAL LOK
53946	129HB-5-4	FITTING, 90° HOSE BARB TO MALE PIPE	61100	811-24	HOSE, 1 1/2 INCH ID
53951	8-1/4F50G-S	ADAPTER, FEMALE PIPE TO STRAIGHT THREAD	61130	1JS43-24-24	HOSE END, FEMALE SWIVEL, SEAL LOK
53980	6 S6LO-S	BRANCH TEE, SWIVEL NUT TO ORFS	61131	1JS78 12-12	HOSE END, FEMALE SWIVEL, SEAL LOK
54132	4 C6LO-S	ELBOW, 90°, SWIVEL NUT ORFS	61132	1J778-12-12	HOSE END, 45° FEMALE SWIVEL, JIC
54135	11343-16-16	HOSE END, MALE SWIVEL, PIPE	61152	139HB-6-4	ELBOW, 45°, BARB TO MALE PIPE
54283	8-10 C5OLO-S	ELBOW, 90°, STRAIGHT THREAD TO ORFS	61251	BV-0750	BALL VALVE
54428	8M18C870MLO-S	ELBOW, 90° METRIC, STRAIGHT THREAD TO ORFS	61259	4 CC5OLO-S	ELBOW, 90° LONG, STRAIGHT THREAD TO ORFS
54803	FS-F-16-10	SLEEVE, FIRE, .96" ID	61260	20-12 TRLO-BL	REDUCER, TUBE END TO SWIVEL, ORFS
54954	10143-2-4	HOSE END, MALE PIPE	61262	12 C6LO-S	ELBOW, 90°, SWIVEL NUT ORFS
55190	3/8 HP-S	PLUG, PIPE THREAD	61263	20 F5OHAO-S	UNION, STRAIGHT THREAD
55448	8 HLO-S	UNION, ORFS	61264	6-10 C5OLO-S	ELBOW, 90°, STRAIGHT THREAD TO ORFS
55839	6 F65OX-S	CONNECTOR, STRAIGHT THREAD TO 37° SWIVEL	61265	6 WNLO-WLNL-S	UNION, BULKHEAD 45°, ORFS
55968	10 C5OX-S	ELBOW, 90°, STRAIGHT THREAD TO FLARE TUBE	61268	4 WNLO-WLNL-S	UNION, BULKHEAD 45°, ORFS
56003	6 CC5OLO-S	ELBOW, 90° LONG, STRAIGHT THREAD TO ORFS	61269	4 WLO-WLNL-S	UNION, BULKHEAD, ORFS
56166	BV-0837	BALL VALVE, 90°	61272	12 AOEL6	ELBOW, 90°, STRAIGHT THREAD TO ORFS SWIVEL
56188	10143-8-6	HOSE END, MALE PIPE	61316	482TC-16	HOSE, 1 INCH ID
56233	2-011	O-RING, ORFS, -4	61321	6 JLO-S	UNION TEE, ORFS
56234	2-012	O-RING, ORFS, -6	61327	782-12	HOSE, 3/4 INCH ID
56235	2-014	O-RING, ORFS, -8	61328	881-24	HOSE, 1 1/2 INCH ID
56236	2-016	O-RING, ORFS, -10	61336	11943-20-24	HOSE END, 90° FLANGE HEAD
56237	2-018	O-RING, ORFS, -12	61345	12 WJLO-WLNL-S	RUN TEE, BULKHEAD, ORFS
56238	2-021	O-RING, ORFS, -16	61346	8 WNLO-WLNL-S 4	UNION, BULKHEAD 45°, ORFS
56352	6 WLNL-S	LOCKNUT, BULKHEAD	61569	33782-8-8	HOSE END, 45° FEMALE SWIVEL, JIC
56353	3J782-12-12	HOSE END, 45° FEMALE SWIVEL, SEAL LOK	61610	12 FF5OLO-S	CONNECTOR, LONG, STRAIGHT THREAD TO ORFS
56354	3J982-12-12	HOSE END, 90° FEMALE SWIVEL, SEAL LOK	61742	1/8 X 1.5 FFF	NIPPLE, PIPE
56604	10-8 F5OLO-S	CONNECTOR, STRAIGHT THREAD TO ORFS	63426	8 PNTX-S	PLUG, FLARE TUBE
56639	3JC82-10-10	HOSE END, FEMALE SWIVEL, SEAL LOK			
56640	3J982-10-10	HOSE END, 90° FEMALE SWIVEL, SEAL LOK			
56655	3JC82-8-10	HOSE END, FEMALE SWIVEL, SEAL LOK			
56676	10-8 C5OLO-S	ELBOW, 90°, STRAIGHT THREAD TO ORFS			
56776	471TC-6	HOSE, 3/8 INCH ID			
56777	471TC-8	HOSE, 1/2 INCH ID			
56789	811-16	HOSE, 1 INCH ID			
57884	3/8 FF	NIPPLE, PIPE			
59335	6 FNL-S	CAP, TUBE END			
59342	4 FNL-S	CAP, TUBE END			
59371	8 HP5ON-S	PLUG, STRAIGHT THREAD			
60653	BV-0751	BALL VALVE			
60806	125HB-3-4	FITTING, HOSE BARB TO MALE PIPE			
61064	5-1/4 F50G-S	ADAPTER, FEMALE PIPE TO STRAIGHT THREAD			
61079	4 WELO-WLNL-S	UNION, 90° BULKHEAD W/NUT, ORFS			
61080	6 WLO-WLNL-S	UNION, BULKHEAD, ORFS			

## Fitting Cross References (Continued)

Genie PN	Parker PN	Description	Genie PN	Parker PN	Description
64271	4 WLO-WLNL-S	UNION,BULKHEAD,ORFS	75631	801-6	HOSE,3/8 INCH ID
64272	6 WLO-WLNL-S	UNION,BULKHEAD,ORFS	75654	20 F5OLO-S	CONNECTOR,STRAIGHT THREAD TO ORFS
65776	8 F65OL-S	CONNECTOR,STRAIGHT THREAD TO ORFS SWIVEL	75655	1J943-20-20	HOSE END,90° FEMALE SWIVEL,SEAL LOK
65880	6001012	O-RING KIT	75656	881-20	HOSE,1-1/4 INCH ID
66154	6 WTX-WLNS	UNION,BULKHEAD,FLARE TUBE	75971	8 F5OHAO-S	UNION,STRAIGHT THREAD
66155	6 WETX-S	UNION,BULKHEAD 90°,FLARE TUBE	77307	1JB43-8-8	HOSE END,BULKHEAD,SEAL LOK
66156	6 WLN-S	BULKHEAD LOCKNUT	77309	8 WLNL-S	BULKHEAD LOCKNUT
66389	6-8 F5OX-S	CONNECTOR,STRAIGHT THREAD TO FLARE TUBE	77379	8M18C87OMX-S	ELBOW,90° METRIC,STRAIGHT THREAD TO FLARE TUBE
66392	6 R5OX-S	RUN TEE,STRAIGHT THREAD	77703	3J982-8-8	HOSE END,90° FEMALE SWIVEL,SEAL LOK
66396	811-12	HOSE,3/4 INCH ID	77711	801-10	HOSE,5/8 INCH ID
66829	H3174PP	CLAMP,TUBE	77758	12 WNLO-WLNL-S	UNION,BULKHEAD 45°,ORFS
67217	4 KLO-S	UNION,CROSS,ORFS	78091	6 C6X-S	ELBOW,90°,SWIVEL NUT TO FLARE TUBE
67339	10-6 F5OX-S	CONNECTOR,STRAIGHT THREAD TO FLARE TUBE	78684	30582-8-8B	HOSE END,PUSH LOK,MALE
67357	13943-8-6	HOSE END,90° FEMALE SWIVEL,JIC	78852	549-2	HOSE,1/8 INCH ID
67358	10 HP5ON-S	PLUG,STRAIGHT THREAD	78855	10657-4-2	HOSE END,FEMALE SWIVEL,JIC
67371	12 S6LO-S	BRANCH TEE,SWIVEL NUT TO ORFS	79138	PS-B-37	SLEEVE,NYLON,2.38" ID
67498	4 FNL-S	CAP, TUBE END	79476	1JS43-6-8	HOSE END,FEMALE SWIVEL,SEAL LOK
67906	DC-370-F0F0-5	VALVE,CHECK	79847	12-3/4 A0EG-S	ELBOW,90°,STRAIGHT THREAD TO FEMALE PIPE
69316	8 FLO-S	CONNECTOR,MALE PIPE TO ORFS	80044	8 CLO-S	ELBOW,90°,MALE PIPE TO ORFS
69333	H3174PP	CLAMP,HYDRAULIC HOSE	80502	8 F5OX-S	CONNECTOR,STRAIGHT THREAD TO FLARE TUBE
69503	4 F65OX-S	CONNECTOR,STRAIGHT THREAD TO 37° SWIVEL	80503	8 C5OX-S	ELBOW,90°,STRAIGHT THREAD TO FLARE TUBE
69775	8 FNL-S	CAP, TUBE END	81010	AS-B-27	SLEEVE,NYLON,1.63" ID
71038	1/4X1/4F3HG-S	ADAPTER,CONVERSION	83052	821-6	HOSE,3/8 INCH ID
71196	12-8 F5OLO-S	CONNECTOR,STRAIGHT THREAD TO ORFS	83053	821-8	HOSE,1/2 INCH ID
71383	1/4 CD45-S	ELBOW,45°,MALE TO FEMALE PIPE	83054	821-12	HOSE,3/4 INCH ID
72270	12FNL-S	CAP, TUBE END	83055	30682-6-6	HOSE END,FEMALE SWIVEL,JIC
73436	60C-4	SLEEVE,COMPRESSION	83056	30682-12-12	HOSE END,FEMALE SWIVEL,JIC
73437	61C-4	NUT,COMPRESSION	83057	33782-6-6	HOSE END,45° FEMALE SWIVEL,JIC
73438	33482-4-4B	HOSE END,PUSH LOK,MALE	83058	33982-6-6	HOSE END,90° FEMALE SWIVEL,JIC
73767	1CD-S	ELBOW,90°,MALE TO FEMALE PIPE	83060	33982-12-12	HOSE END,90° FEMALE SWIVEL,JIC
73768	20-16-F5OG5-S	ADAPTER,FEMALE PIPE TO STRAIGHT THREAD	83063	13743-4-4	HOSE END,45° FEMALE SWIVEL,JIC
73769	16-20 F5OLO-S	CONNECTOR,STRAIGHT THREAD TO ORFS			
74660	6-8 F42EDMLO-S	CONNECTOR,MALE BSPP TO ORFS			
74661	8-8 F42EDMLO-S	CONNECTOR,MALE BSPP TO ORFS			
75007	4 FLO-S	CONNECTOR,MALE PIPE TO ORFS			
75008	1/8 HP-S	PLUG,PIPE THREAD			
75014	1/2 HP-S	PLUG,PIPE THREAD			
75042	8 WELO-WLNL-S	UNION,90° BULKHEAD W/NUT,ORFS			
75043	3/4 FF-S	NIPPLE,PIPE			
75254	24 F5OHAO-S	UNION,STRAIGHT THREAD			
75255	12 F5OHAO-S	UNION,STRAIGHT THREAD			
75256	XV506P-24	BALL VALVE			
75574	4 WLNL-S	BULKHEAD LOCKNUT			
75612	8 WJLO-WLNL-S	RUN TEE, BULKHEAD,ORFS			
75613	12-8 F5OG5-S	ADAPTER,FEMALE PIPE TO STRAIGHT THREAD			
75614	8 CC5OLO-S	ELBOW,90° LONG,STRAIGHT THREAD TO ORFS			
75628	1JB43-4-4	HOSE END,BULKHEAD,SEAL LOK			

## Fitting Cross References (Continued)

Genie PN	Parker PN	Description	Genie PN	Parker PN	Description
83064	13743-8-8	HOSE END,45° FEMALE SWIVEL,JIC	89449	6 WJLO-WLNL-S	RUN TEE, BULKHEAD,ORFS
83065	13743-12-12	HOSE END,45° FEMALE SWIVEL,JIC	89489	4 WJMLO-S	BRANCH TEE,BULKHEAD,ORFS
83066	13943-8-8	HOSE END,90° FEMALE SWIVEL,JIC	89551	1JB43-6-6	HOSE END,BULKHEAD,SEAL LOK
83067	14143-6-6	HOSE END,90° FEMALE SWIVEL,JIC	89552	1JB43-8-8	HOSE END,BULKHEAD,SEAL LOK
83068	14143-8-8	HOSE END,90° FEMALE SWIVEL,JIC	89593	20 C5OLO-S	ELBOW,90°,STRAIGHT THREAD TO ORFS
83069	14143-12-12	HOSE END,90° FEMALE SWIVEL,JIC	94161	8-8 CLO-S	ELBOW,90°,MALE PIPE TO ORFS
83070	772-8	HOSE,1/2 INCH ID	94358	351TC-12	HOSE,3/4 INCH ID
83071	10671-8-8	HOSE END,FEMALE SWIVEL,JIC	94418	20 FLO-S	CONNECTOR,MALE PIPE TO ORFS
83072	10671-12-12	HOSE END,FEMALE SWIVEL,JIC	96358	12 TX-S	SLEEVE,FLARE TUBE
83073	13771-8-8	HOSE END,45° FEMALE SWIVEL,JIC	96359	12 BTX-S	NUT,FLARE TUBE
83074	13771-12-12	HOSE END,45° FEMALE SWIVEL,JIC	96397	8 F5OX-S	CONNECTOR,STRAIGHT THREAD TO FLARE TUBE
83075	13971-8-8	HOSE END,90° FEMALE SWIVEL,JIC	96398	12-8 F5OX-S	CONNECTOR,STRAIGHT THREAD TO FLARE TUBE
83076	13971-12-12	HOSE END,90° FEMALE SWIVEL,JIC	96402	10343-6-6	HOSE END,MALE,JIC
83077	14171-8-8	HOSE END,90° FEMALE SWIVEL,JIC	96407	30382-6-6B	HOSE END,MALE,JIC
83078	14171-12-12	HOSE END,90° FEMALE SWIVEL,JIC			
83080	13943-16-16	HOSE END,90° FEMALE SWIVEL,JIC			
83103	10671-16-12	HOSE END,FEMALE SWIVEL,JIC			
83104	10671-10-12	HOSE END,FEMALE SWIVEL,JIC			
83112	1JC71-8-8	HOSE END,FEMALE SWIVEL,SEAL LOK			
83113	1JS71-16-12	HOSE END,FEMALE SWIVEL,SEAL LOK			
83114	1JS71-10-12	HOSE END,FEMALE SWIVEL,SEAL LOK			
83115	1J971-8-8	HOSE END,90° FEMALE SWIVEL,SEAL LOK			
83116	1J171-8-8	HOSE END,90° FEMALE SWIVEL,SEAL LOK			
83117	1J771-8-8	HOSE END,45° FEMALE SWIVEL,SEAL LOK			
83127	1J543-6-8	HOSE END,90° FEMALE SWIVEL,JIC			
83128	1JC43-6-8	HOSE END,FEMALE SWIVEL,SEAL LOK			
87033	12-6 TRLO-S	REDUCER,TUBE END TO SWIVEL,ORFS			
87034	3J782-8-8	HOSE END,45° FEMALE SWIVEL,SEAL LOK			
87172	12 HP5ON-S	PLUG,STRAIGHT THREAD			
87185	8 WNLO-WLNL-S	UNION,BULKHEAD 45°,ORFS			
87246	4 C6X-S	ELBOW,90°,SWIVEL NUT TO FLARE TUBE			
87679	6 LHP-S	FLANGE SEAL FITTING, MALE			
87681	6PLS N0702	BONDED SEAL			
88100	SR88100	ADAPTER,OIL DRAIN,GM 3.0L			
88311	1JS43-20-20	HOSE END,FEMALE SWIVEL,SEAL LOK			
88353	20 V5OLO-S	ELBOW,45°,STRAIGHT THREAD TO ORFS			
88474	10081-20	Crimp Shell, 1.25"			
88475	1988-20-24	HOSE END,90° FLANGE HEAD			
88476	JS88-24-24	HOSE END,FEMALE SWIVEL,SEAL LOK			
88477	1JC88-20-20	HOSE END,FEMALE SWIVEL,SEAL LOK			
88478	811-20	HOSE,11/4 INCH ID			
88936	20-16 F5OLO-S	CONNECTOR,STRAIGHT THREAD TO ORFS			
88937	20-16 FLO-S	CONNECTOR,MALE PIPE TO ORFS			
88938	1JC88-16-16	HOSE END,FEMALE SWIVEL,SEAL LOK			
88939	1J988-16-16	HOSE END,90° FEMALE SWIVEL,ORFS			
88940	811-16	HOSE,1 INCH ID			
88944	1J988-20-20	HOSE END,90° FEMALE SWIVEL,ORFS			
89403	16 VLO-S	ELBOW,45°,MALE PIPE TO ORFS			



California Proposition 65

## Warning

The exhaust from this product contains chemicals known to the State of California to cause cancer, birth defects or other reproductive harm.

### Genie North America

**Phone** 425.881.1800  
**Toll Free** USA and Canada  
800.536.1800  
**Fax** 425.883.3475

### Genie Australia Pty Ltd.

**Phone** +61 7 3375 1660  
**Fax** +61 7 3375 1002

### Genie China

**Phone** +86 21 53852570  
**Fax** +86 21 53852569

### Genie Malaysia

**Phone** +65 98 480 775  
**Fax** +65 67 533 544

### Genie Japan

**Phone** +81 3 3453 6082  
**Fax** +81 3 3453 6083

### Genie Korea

**Phone** +82 25 587 267  
**Fax** +82 25 583 910

### Genie Brasil

**Phone** +55 11 41 665 755  
**Fax** +55 11 41 665 754

### Genie Holland

**Phone** +31 183 581 102  
**Fax** +31 183 581 566

### Genie Scandinavia

**Phone** +46 31 575100  
**Fax** +46 31 579020

### Genie France

**Phone** +33 (0)2 37 26 09 99  
**Fax** +33 (0)2 37 26 09 98

### Genie Iberica

**Phone** +34 93 579 5042  
**Fax** +34 93 579 5059

### Genie Germany

**Phone** +49 (0)4202 88520  
**Fax** +49 (0)4202 8852-20

### Genie U.K.

**Phone** +44 (0)1476 584333  
**Fax** +44 (0)1476 584334

### Genie Mexico City

**Phone** +52 55 5666 5242  
**Fax** +52 55 5666 3241

Distributed By:

# Parts Manual

S-80,S-85

*from SN 3082 to 7999*

Part No.  
77810

Rev E28

**Genie**  
A TEREX BRAND